

# Parts Diagrams and Lists



# TABLE OF CONTENTS

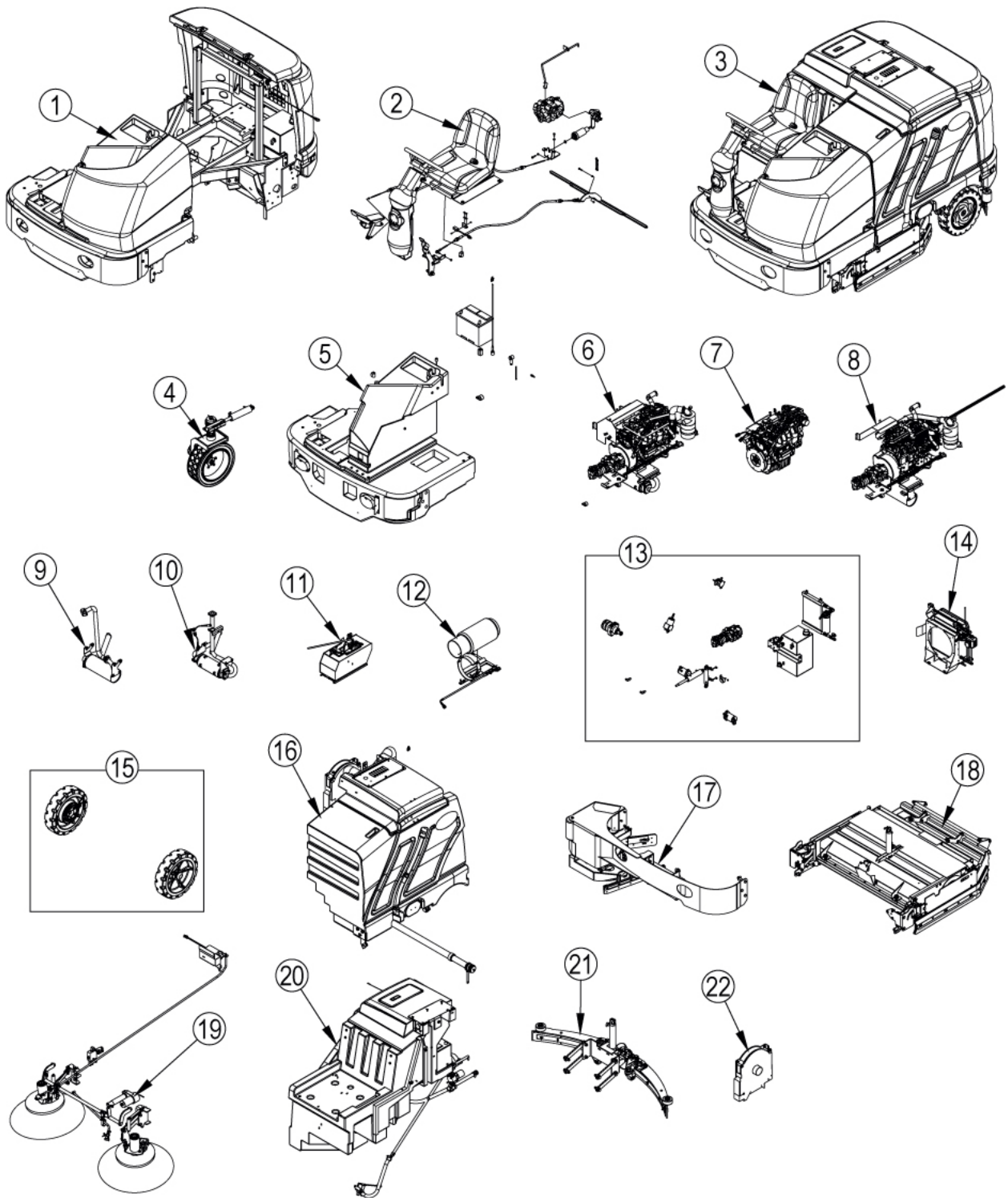
---

GENERAL VIEW .....	1
CHASSIS SYSTEM 1 .....	3
CHASSIS SYSTEM 2 .....	5
CONTROL SYSTEM .....	9
CONTROL SYSTEM - BRAKE & FOOT PEDAL ASSEMBLIES .....	13
CONTROL SYSTEM - STEERING ASSY .....	15
DECAL SYSTEM .....	17
DRIVE WHEEL SYSTEM .....	19
ELECTRICAL SYSTEM .....	21
ELECTRICAL SYSTEM - CONTROL BOARD ASSY .....	23
ENGINE ASSY - LPG .....	25
ENGINE BASE ASSY - LPG .....	29
ENGINE SYSTEM - DIESEL .....	31
EXHAUST MUFFLER ASSY - DIESEL .....	35
EXHAUST CATALYST ASSY - LPG .....	37
FUEL TANK ASSY - DIESEL .....	39
FUEL TANK ASSY - LPG .....	41
HYDRAULIC SYSTEM .....	43
HYDRAULIC CYLINDER ASSEMBLIES .....	47
HYDRAULIC OIL COOLER - RESERVOIR .....	49
HYDRAULIC VALVE BLOCK ASSY .....	51
HYDRAULIC MOTOR ASSEMBLIES .....	53
HYDRAULIC PUMP ASSEMBLIES .....	55
RADIATOR ASSY .....	57
REAR WHEEL SYSTEM .....	59
RECOVERY SYSTEM - 1 .....	61
RECOVERY SYSTEM - 2 .....	63
RIGHT SCRUB SYSTEM - 1 .....	65
RIGHT SCRUB SYSTEM - 2 .....	67
RIGHT SCRUB SYSTEM - 3 .....	71
RIGHT SCRUB SYSTEM HYDRAULICS .....	73
SCRUB SYSTEM - 1 .....	75
SCRUB SYSTEM - SIDE SKIRT ASSEMBLIES .....	79
SIDE BROOM SYSTEM - DUAL .....	83
SIDE BROOM HYDRAULIC ASSY - DUAL .....	85
SIDE BROOM SUB ASSY - LEFT .....	87
SIDE BROOM SUB ASSY - RIGHT .....	89
SIDE BROOM SUB ASSY - PUMP .....	91
SOLUTION SYSTEM .....	93
SQUEEGEE SYSTEM .....	97
SQUEEGEE ASSY .....	99
SQUEEGEE MOUNT ASSY .....	101
VAC FAN ASSY .....	103
LADDER DIAGRAM - LPG .....	105

# TABLE OF CONTENTS

---

LADDER DIAGRAM - DIESEL.....	109
BRUSH SELECTOR GUIDE-CYLINDRICAL.....	113
BRUSH SELECTOR GUIDE-DISK (RIGHT SCRUB.....	115
OPTIONAL KITS & ACCESSORIES.....	117
BACK-UP ALARM KIT.....	119
DEBRIS TRAY KIT.....	121
WARNING BEACON KIT.....	123
56110300 - Overhead Guard Kit.....	125
56110607 - Strainer Kit.....	127
56384523 HOSE-LP KIT.....	129
56110733 - SEAT BELT KIT.....	131
56111298 - Underhood Light Kit.....	133
56111317 - Brake / Signal Light Kit.....	135
56111346 - Wash Hose Kit.....	137
56111535 - Deluxe Seat Kit.....	139
56111733 - Horn Switch Kit.....	141
56111848 - ROLLER BUMPER KIT.....	143
56111873 - FOOT GUARD KIT.....	145
56305519 - Back-up Alarm Kit.....	147
56305519 - Back-up Alarm Kit.....	149
56383993 - SKIRT STOP KIT.....	151
56384523 HOSE-LP KIT.....	153

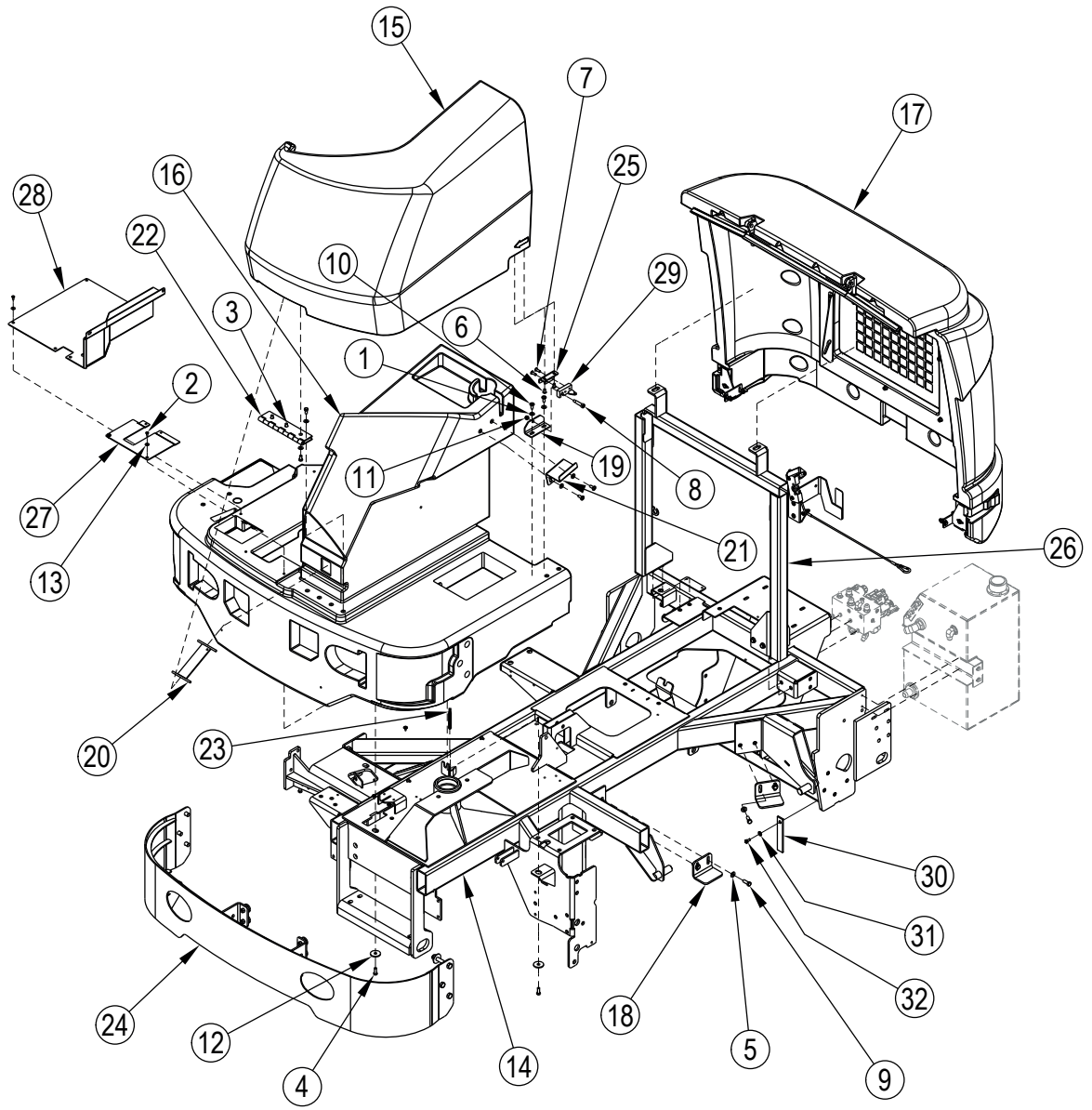




Pos.	Product no	QTY	Description	Notes
1		1	Chassis System	[1]
2		1	Brake Pedal Assy	
3		1	Circuit Breaker Panel Assy	
4		1	Detergent Injection System	
5		1	Drive Wheel System	
6		1	Dust Control System	
7		1	Electrical System	[2]
8		1	Engine System	
9		1	Engine LPG Tank & Filter Assy	
10		1	Engine Diesel/Petrol Fuel Tank Assy	
11		1	Engine Bottom Cover Assy	
12		1	Engine Rear Cover Assy	
13		1	Forward-Reverse Control Assy	
14		1	Front Wheel System	
15		1	Gauge Panel Assy	
16		1	Hopper System	
17		1	Hydraulic System	
18		1	Broom Lift Assy	
19		1	Main Broom Assy	
20		1	Radiator Assy	
21		1	Seat Assy	
22		1	Side Broom System	[3]

## Part Notes:

- [1] - CHASSIS SYSTEM 1and CHASSIS SYSTEM 2  
 [2] - ELECTRICAL SYSTEM  
 [3] - SIDE BROOM SYSTEM - DUAL  
 SIDE BROOM HYDRAULIC ASSY - DUAL  
 SIDE BROOM SUB ASSY - LEFT  
 SIDE BROOM SUB ASSY - RIGHT  
 SIDE BROOM SUB ASSY - PUMP



# CHASSIS SYSTEM 1

SC8000 1300 LPG NIL

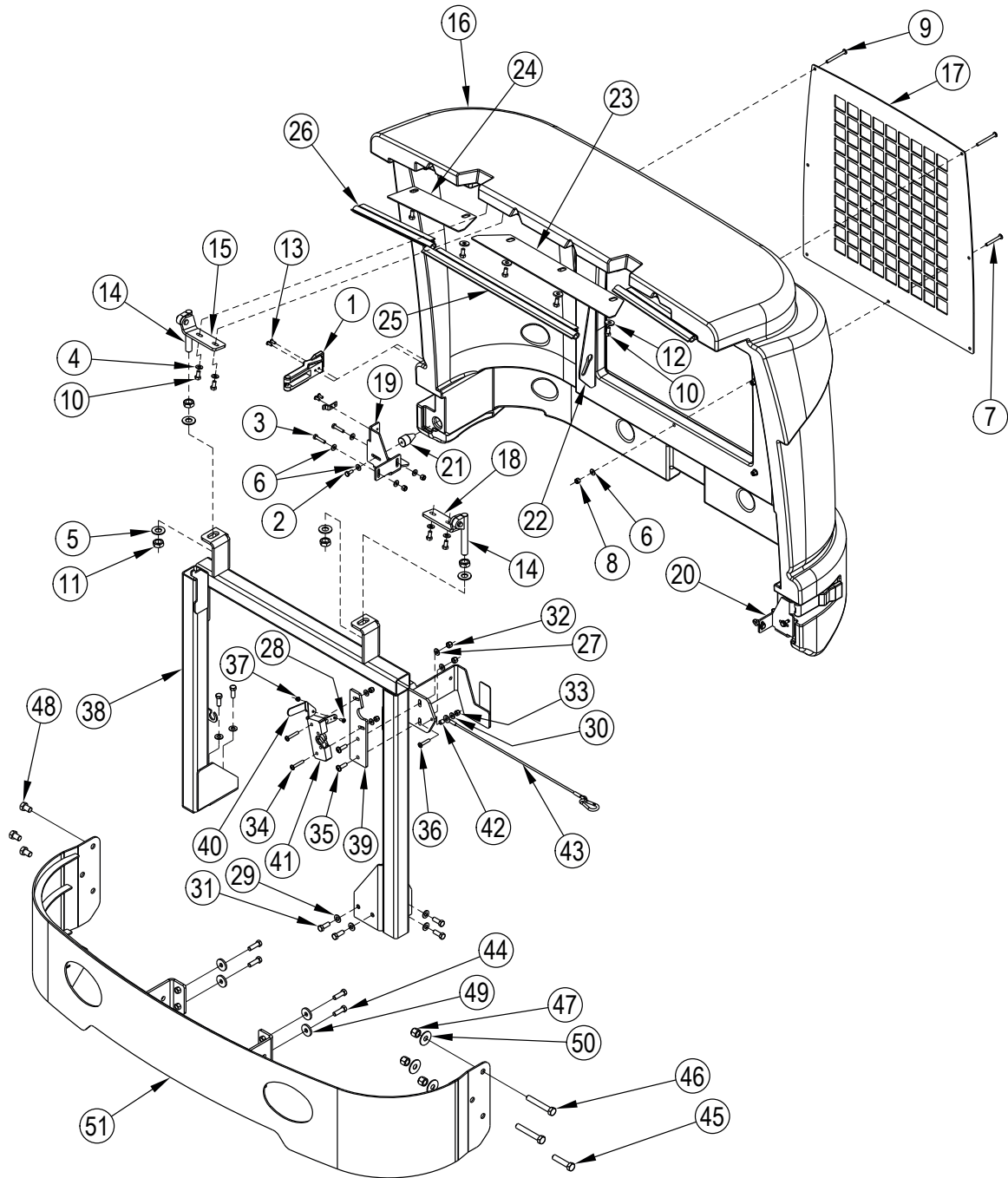
2015.05.19

2013.08.09

Pos.	Product no	QTY	Description	Notes
1	56001939	11	WSH FLT SAE 5/16	
2	56001993	8	SCREW 10-24 X 0.5 ZINC PL	
3	56002035	7	SCR HEX 5/16 18 X .62	
4	56002037	3	SCR HEX 5/16-18 X .88	
5	56002063	4	WSH FLT SAE 3/8	
6	56002145	2	SCR PAN PHIL 1/4-20 X .50	
7	56002507	2	SCR PAN PHIL 1/4-20 X .75	
8	56002624	1	SCR SOC SHD.38X1.25X5/16-18	
9	56002663	4	SCR HEX 3/8-16 X 1.00	
10	56002793	4	SCR PAN PHIL 5/16-18 X .75	
11	56002826	1	NUT HEX NYL LOC-THIN 5/16-18	
12	56009242	3	WSH FLT .406X1.50X.125	
13	56009267	8	WSH FLT .202 X .562 X .040	
14		1	Chassis weldment	
15	56110416	1	HOOD FRONT	[1]
15	56111654	1	HOOD ASSY PROPANE EURO	[2]
16	56110421	1	FLOOR TANK FRONT	
17	56110442	1	COVER ASSEMBLY REAR	
18	56511149	2	BRACKET TANK STOP	
19	56110640	1	PLATE PIN SUPPORT	
20	56110644	1	HOOD STRAP WELDMENT	
21	56110724	1	SUPPORT PROPANE COVER	
22	56110726	1	HINGE COVER	
23	56110734	1	TRIM-SEAL	
24	56110900	1	HEAVY BUMPER ASSY	
25	56110909	1	PLATE LATCH MOUNT	
26	56111128	1	COVER SUPPORT ASSY	
27	56111944	1	FLOOR PLATE WELDT	
28	56111945	1	FLOOR WELDT	
29	56413802	1	LATCH RH	
30	56109633	1	STRAP STATIC 6	
31	56002098	1	WSH FLT SAE 1/4	
32	56009250	1	SCR HEX THD FORM 1/4-20X.62	

**Part Notes:**

- [1] - Diesel models only
- [2] - LPG model only



# CHASSIS SYSTEM 2

SC8000 1300 LPG NIL

2015.05.19

2013.08.09

Pos.	Product no	QTY	Description	Notes
	56110442	1	COVER ASSEMBLY REAR	[1]
1	56462746	2	LATCH	
2	56001836	2	SCR HEX 1/4 20 X .62	
3	56001878	4	SCR HEX 1/4 20 X 1.25	
4	56001939	4	WSH FLT SAE 5/16	
5	56002022	4	WSH FLT SAE 5/8	
6	56002098	17	WSH FLT SAE 1/4	
7	56002108	5	SCR PAN PHIL 1/4-20 X 2.00	
8	56002708	11	NUT HEX NYL LOC 1/4-20	
9	56002788	2	SCR PAN PHIL 1/4-20 X 2.25	
10	56002929	11	SCR HEX LOC 5/16-18 X .62	
11	56009099	4	NUT HEX JAM 5/8 18	
12	56009122	7	WSH FLT .344X.938X.125	
13	56009153	8	SCR PAN PHIL LOC 10-24X.50	[2]
14	56110357	2	HINGE WELDMENT	
15	56110363	1	HINGE WELDMENT-RT	
16	56110435	1	COVER REAR	
17	56111942	1	GRILLE-REAR	
18	56110495	1	HINGE WELDT-LT	
19	56110764	1	SUPPORT REAR COVER RIGHT	
20	56110765	1	SUPPORT REAR COVER LEFT	
21	56110766	2	PIN TAPERED	
22	56111943	1	BRACKET	
23	56110979	1	PLATE SEAL MOUNTING CENTER	
24	56110980	2	PLATE SEAL MOUNTING SIDE	
25	56110987	1	GASKET COVER CENTER	
26	56110988	2	GASKET COVER SIDE	
	56111128	1	COVER SUPPORT ASSY	[3]
27	56001939	2	WSH FLT SAE 5/16	
28	56001993	1	SCREW 10-24 X 0.5 ZINC PL	
29	56002063	6	WSH FLT SAE 3/8	
30	56002098	3	WSH FLT SAE 1/4	
31	56002663	6	SCR HEX 3/8-16 X 1.00	
32	56002701	2	NUT HEX NYL LOC 5/16-18	
33	56002708	3	NUT HEX NYL LOC 1/4-20	
34	56002786	2	SCR PAN PHIL 1/4-20 X 1.50	
35	56002794	2	SCR PAN PHIL 5/16-18 X 1.00	
36	56002825	1	SCR PAN PHIL 1/4-20 X 1.25	
37	56002832	1	NUT HEX NYL LOC-THIN 10-24	
38	56110065	1	COVER SUPPORT WELDT	
39	56110631	1	PLATE LATCH MOUNT	
40	56110638	1	HANDLE LATCH	
41	56304827	1	LATCH RH	
42	56321532	1	BUSHING .25X.37X.40HC42C	
43	56382992	1	CABLE ASSY-QUICK LINK-19.5 IN	
	56110900	1	HEAVY BUMPER ASSY	[4]
44	56001858	4	SCR HEX 3/8 16 X 1.25	
45	56001920	1	SCR HEX 1/2 13 X 2.25	
46	56002116	2	SCR HEX 1/2-13 X 3.25	
47	56002770	3	NUT HEX NYL LOC 1/2-13	
48	56003032	3	SCR HEX LOC 1/2-13 X .75	
49	56009195	4	WSH FLT .406X 1.250X .164	
50	56009216	3	WSH FLT .531 X 1.500 X .075	
51	56111941	1	HEAVY BUMPER WELDT	

**Part Notes:**

- [1] - (items 1-26)
- [2] - SEE MI-SP-007
- [3] - (items 27-43)

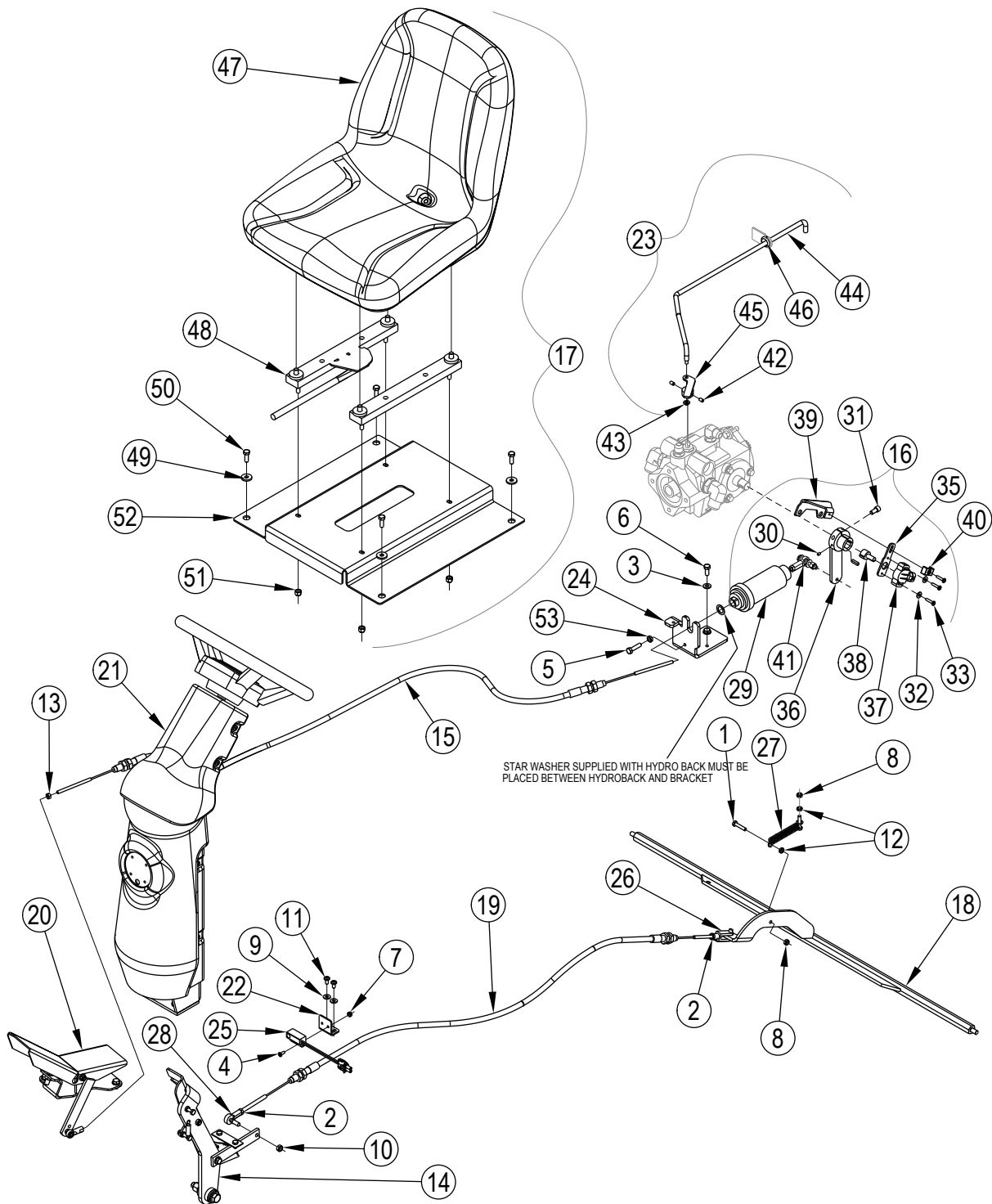
[4] - (items 44-51)





**Comments:**





Pos.	Product no	QTY	Description	Notes
1	56001878	2	SCR HEX 1/4 20 X 1.25	
2	56001884	2	NUT HEX JAM 5/16-24	
3	56001939	2	WSH FLT SAE 5/16	
4	56001993	1	SCREW 10-24 X 0.5 ZINC PL	
5	56002187	1	SCR HEX THD/HD 5/16-18 X 1.25	
6	56002667	2	SCR HEX 5/16-18 X .75	
7	56002832	1	NUT HEX NYL LOC-THIN 10-24	
8	56002840	2	NUT HEX NYL LOC-THIN 1/4-20	
9	56002859	2	WSH FLT SAE SS 1/4	
10	56002866	1	NUT HEX NYL LOC-THIN 5/16-24	
11	56009062	2	SCR PAN PHIL THD FORM1/4-20X.5	
12	56009087	2	NUT HEX JAM 1/4 20	
13	56009142	1	NUT HEX MACHINE 1/4 28	
14	56110080	1	BRAKE PEDAL ASSY	[1]
15	56110146	1	CABLE PUSH/PULL CONTROL	
16	56110152	1	PINTLE ASSEMBLY	[2]
17	56110273	1	SEAT ASSEMBLY	[3]
18	56110381	1	BRAKE BAR WELDMENT	
19	56110384	1	CABLE ASSY	
20	56110446	1	FOOT PEDAL ASSEMBLY	[1]
21		1	Steering Assy	[4]
22	56110709	1	BRACKET SWITCH	
23	56110990	1	TOW LEVER ASSY	[5]
24	56111347	1	PLATE ADJUSTER	
25	56305053	1	SENSOR PROXIMITY	
26	56416089	1	CLEVIS ASSEMBLY	
27	56448112	1	SPRING EXTENSION	
28	56477756	1	ROD END	
			Pintle Assy	
29	56455799	1	HYDRO BACK	
30	56002015	1	SCR SOC SET LOC 10 24 X .25	
31	56003118	1	SCR SOC HD 5/16 18 X .62	
32	56002053	2	WSH FLT STD 10	
33	56002996	3	SCR PAN PHIL 10 32 X .88	
35	56111896	1	PLATE-SENSOR	
36	56304355	1	LEVER WELDMENT	
37	56305129	1	ROTARY SENSOR	
38	56305184	1	ADAPTER SHAFT	
39	56305186	1	BRACKET	
40	56111895	1	GUIDE-ENCODER	
41	56383880	1	ROD END THROTTLE KIT	[6]
			Tow Lever Assy	
42	56002930	2	SCR SOC SET LOC 1/4 20 X .38	
43	56009132	1	NUT PUSH CAP 1/4	
44	56110989	1	ROD TOW LEVER	
45	56110992	1	COLLAR WELDT	
46	56157376	1	GROMMET 1 OD X 9/16 ID X 5/	
			Seat Assy	
47	7-69-00008	1	SEAT	[7]
48	7-72-05005	1	SLIDE ADJUSTER KIT	
49	56009122	4	WSH FLT .344X.938X.125	
50	56002956	4	SCR HEX LOC 5/16 18 X .75	
51	56002701	4	NUT HEX NYL LOC 5/16-18	
52	56111949	1	PLATE-SEAT MOUNT	
53	56009086	1	NUT HEX JAM 5/16 18	

## Part Notes:

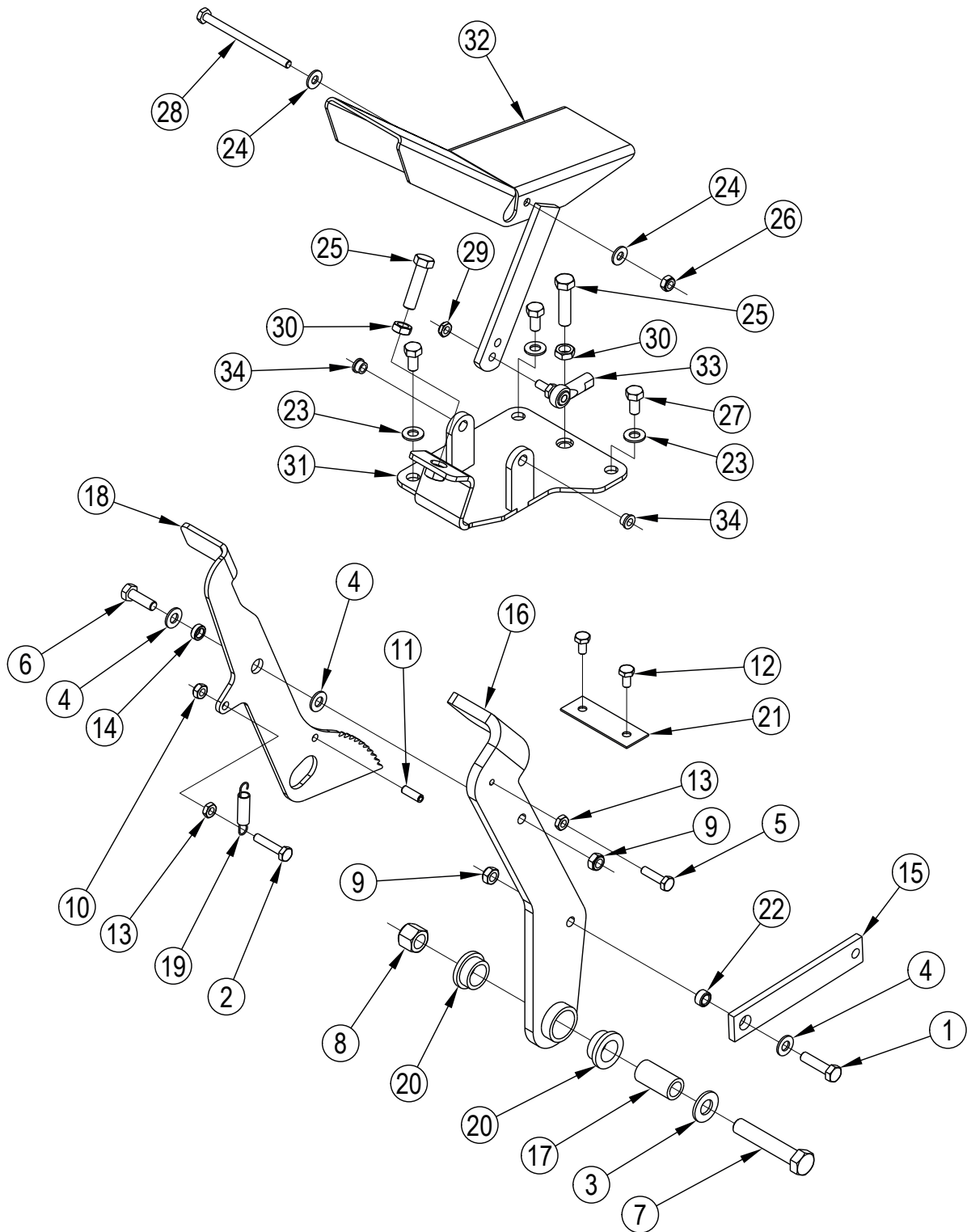
- [1] - See CONTROL SYSTEM - BRAKE FOOT PEDAL ASSEMBLIES  
[2] - (items 29-41)

- [3] - (items 47-52)
- [4] - See CONTROL SYSTEM - STEERING ASSY
- [5] - (items 42-46)
- [6] - See TSB-FC-2014-007 Rider Scrubber and Sweepers Hydroback
- [7] - SEE TSB-FC-2015-040



**Comments:**







# CONTROL SYSTEM - BRAKE & FOOT PEDAL ASSEMBLIES

SC8000 1300 LPG NIL

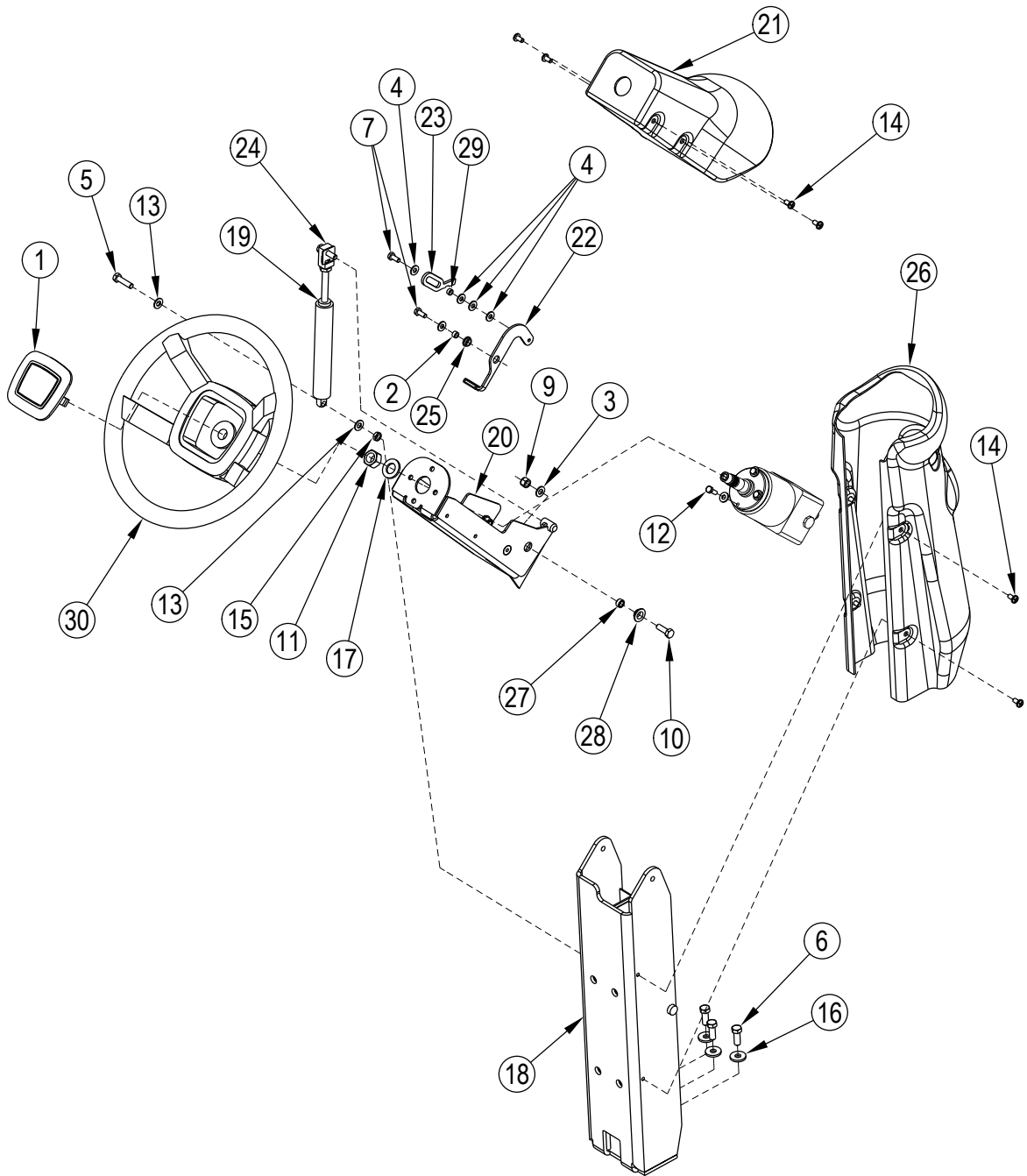
2015.05.19

2014.11.13

Pos.	Product no	QTY	Description	Notes
	56110080	1	BRAKE PEDAL ASSY	[1]
1	56001834	1	SCR HEX 5/16 18 X 1.25	
2	56001878	1	SCR HEX 1/4 20 X 1.25	
3	56001879	1	WSH FLT SAE 1/2	
4	56001939	3	WSH FLT SAE 5/16	
5	56002093	1	SCR HEX 1/4-20 X 1.00	
6	56002221	1	SCR HEX 5/16-18 X 1.00	
7	56002680	1	SCR HEX 1/2-13 X 2.75	
8	56002770	1	NUT HEX NYL LOC 1/2-13	
9	56002826	2	NUT HEX NYL LOC-THIN 5/16-18	
10	56002840	1	NUT HEX NYL LOC-THIN 1/4-20	
11	56003138	1	PIN SPR .25 X .75	
12	56009033	2	SCR HEX THD FORM 1/4 20X.50	
13	56009087	2	NUT HEX JAM 1/4 20	
14	56110432	1	BUSHING .323X.500X.180	
15	56110641	1	LINKAGE BRAKE	
16	56111946	1	BRAKE PEDAL WELDT	
17	56111100	1	BUSHING .520 X .750 X 1.470	
18	56111537	1	PEDAL PARKING BRAKE	
19	56245008	1	SPRING EXT .37X2.00FC436B	
20	56303024	2	BEARING FL 1.00X.750X.500	
21	56304543	1	CATCH BRAKE LOCK	
22	56320595	1	BUSHING .31X.50X.28HC18M	
	56110446	1	FOOT PEDAL ASSEMBLY	[2]
23	56001939	3	WSH FLT SAE 5/16	
24	56002098	2	WSH FLT SAE 1/4	
25	56002747	2	SCR HEX THD/HD 3/8-16 X 1.50	
26	56002840	1	NUT HEX NYL LOC-THIN 1/4-20	
27	56002956	3	SCR HEX LOC 5/16 18 X .75	
28	56002986	1	SCR HEX 1/4-20 X 3.75	
29	56003626	1	NUT HEX NYL LOC THIN 1/4 28	
30	56009085	2	NUT HEX JAM 3/8 16	
31	56111947	1	PIVOT WELDT	
32	56111948	1	PEDAL WELDT	
33	56463720	1	ROD END	
34	56756318	2	BEARING FLANGE .250 E00201	

**Part Notes:**

- [1] - items 1-22
- [2] - items 23-34



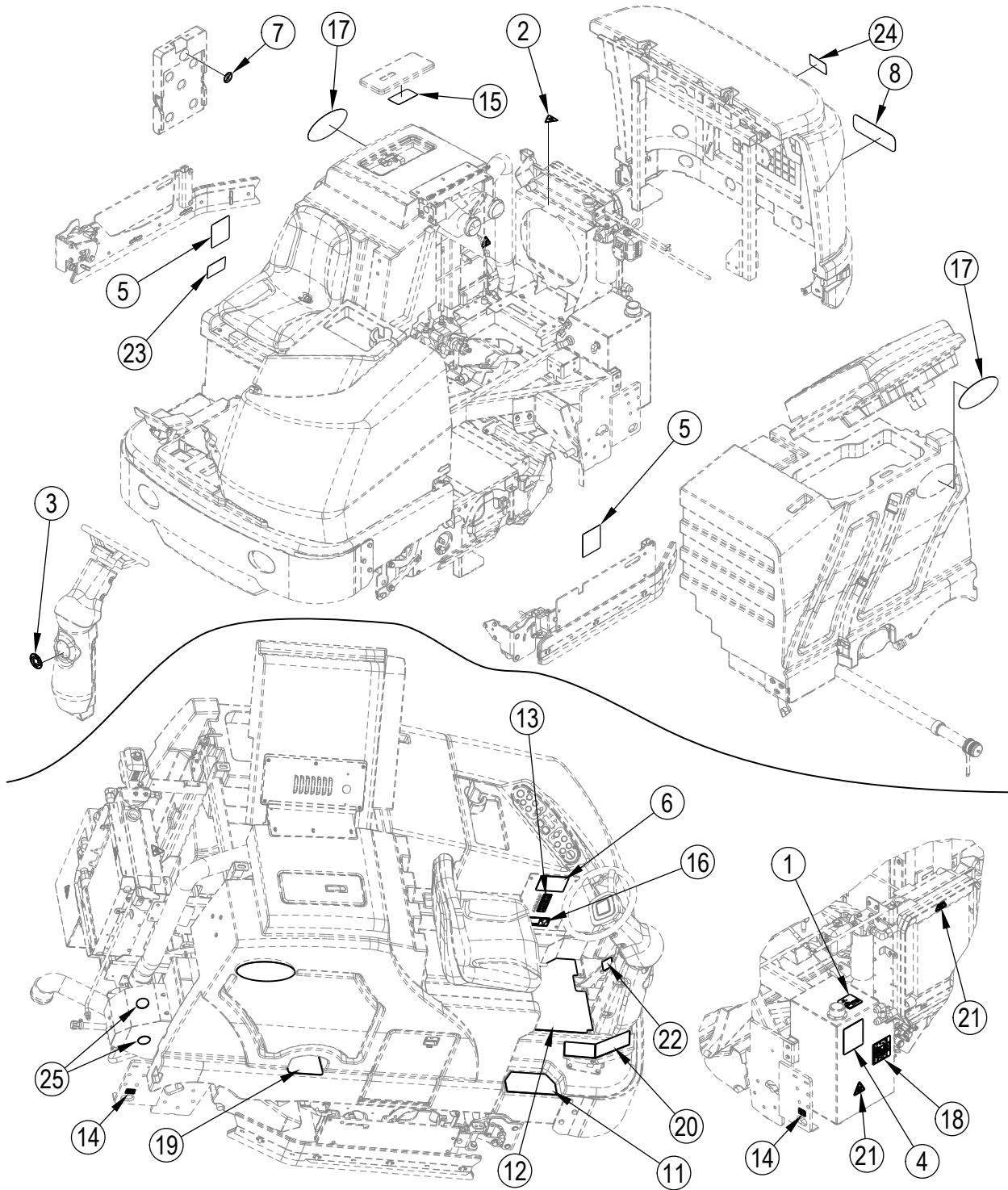
# CONTROL SYSTEM - STEERING ASSY

SC8000 1300 LPG NIL

2015.05.19

2013.08.12

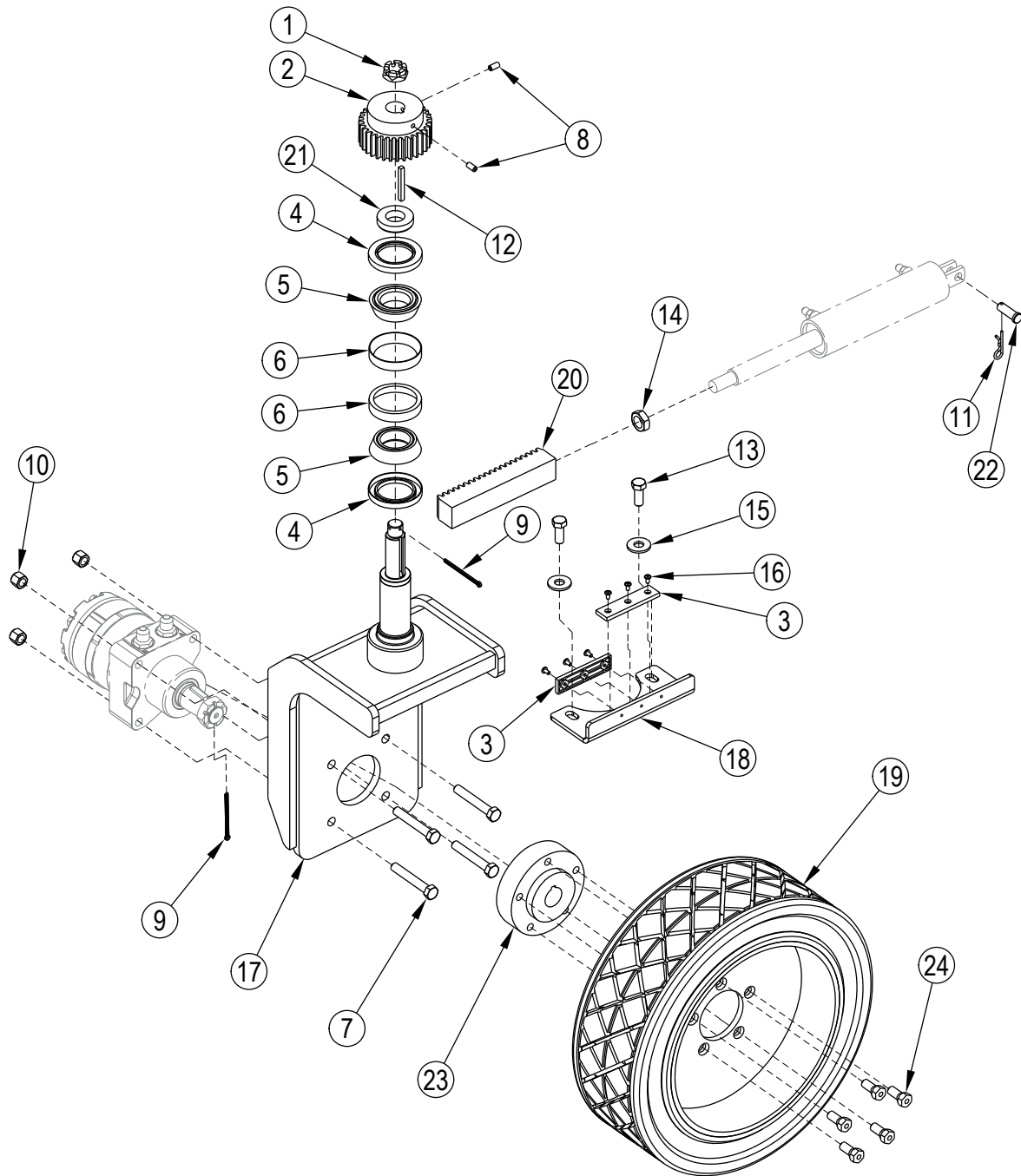
Pos.	Product no	QTY	Description	Notes
1	7-16-07428	1	COVER-STEERING WHEEL	
2	56368997	1	BUSHING .25X.37X.21CV82H	
3	56001939	2	WSH FLT SAE 5/16	
4	56002098	9	WSH FLT SAE 1/4	
5	56002187	1	SCR HEX THD/HD 5/16-18 X 1.25	
6	56002663	3	SCR HEX 3/8-16 X 1.00	
7	56002922	2	SCR HEX LOC 1/4-20 X .62	
9	56003389	2	NUT HEX NYL LOC M8X1.25	
10	56003436	2	SCR HEX SS M8-1.25X25MM	
11	56003440	1	NUT HEX M16 X 1.5	
12	56003441	4	SCR HEX LOC M6-1.00X16MM	
13	56009052	2	WSH INT SHPRF 5/16	
14	56009062	8	SCR PAN PHIL THD FORM1/4-20X.5	
15	56009086	1	NUT HEX JAM 5/16 18	
16	56009107	3	WSH FLT SS .378/.373X1.00X.075	
17	56009218	1	WASHER FLAT .688 X 1.25 X 0	
18	56110456	1	LOWER COLUMN WELDMENT	
19	56111354	1	GAS SPRING LOCKING	
20	56111520	1	UPPER COLUMN WELDMENT	
21	56111524	1	SHROUD UPPER COLUMN	
22	56111597	1	LEVER	
23	56111762	1	LEVER	
24	56111763	1	ROD END WELDMENT	
25	56304518	1	BEARING FLANGE	
26	56314295	1	SHROUD LOWER COLUMN	
27	56320595	2	BUSHING .31X.50X.28HC18M	
28	56413211	2	BEARING FLANGE .625X.500X.250	
29	56413888	1	BUSHING .265 X .375X .180	
30	56418460	1	STEERING WHEEL	



Pos.	Product no	QTY	Description	Notes
1	56016259	1	DECAL OIL FILL	
2	56016364	1	DECAL WARNING FAN	
3	56016348	1	DECAL LOGO	
4	56015424	1	DECAL-WARNING HYDRAULIC	
5	56015425	2	DECAL WARNING BROOM	
6	56015427	1	DECAL WARNING TIP O	
7	56016163	1	DECAL NO STEP	
8	56016731	1	DECAL NILFISK	
11	56111251	1	MAT STEP	
12	56111252	1	MAT FLOOR	
13	56111807	1	DECAL CIRCUIT BREAKER	
14	56111392	2	DECAL TIE DOWN	
15	56111393	1	DECAL TANK FLUID	
16	56111394	1	DECAL EXHAUST	
17	56108172	2	DECAL-SC8000	
17	56108173	2	DECAL-SC8000 ECOFLEX	[1]
18	56111460	1	DECAL HYD VALVE	
19	56111482	1	MAT STEP	
20	56305606	1	MAT PEDAL	
21	56016363	2	DECAL WARNING HOT	
22	56111785	1	MAT PEDAL	
23	56015413	1	DECAL L.P.G.	
24	56107775	1	DECAL-KUBOTA	
25	56015470	1	DECAL NO PRESSURE W	[2]

Part Notes:

- [1] - 56384395 model only
- [2] - Closed SEE MI-SP-007





# DRIVE WHEEL SYSTEM

SC8000 1300 LPG NIL

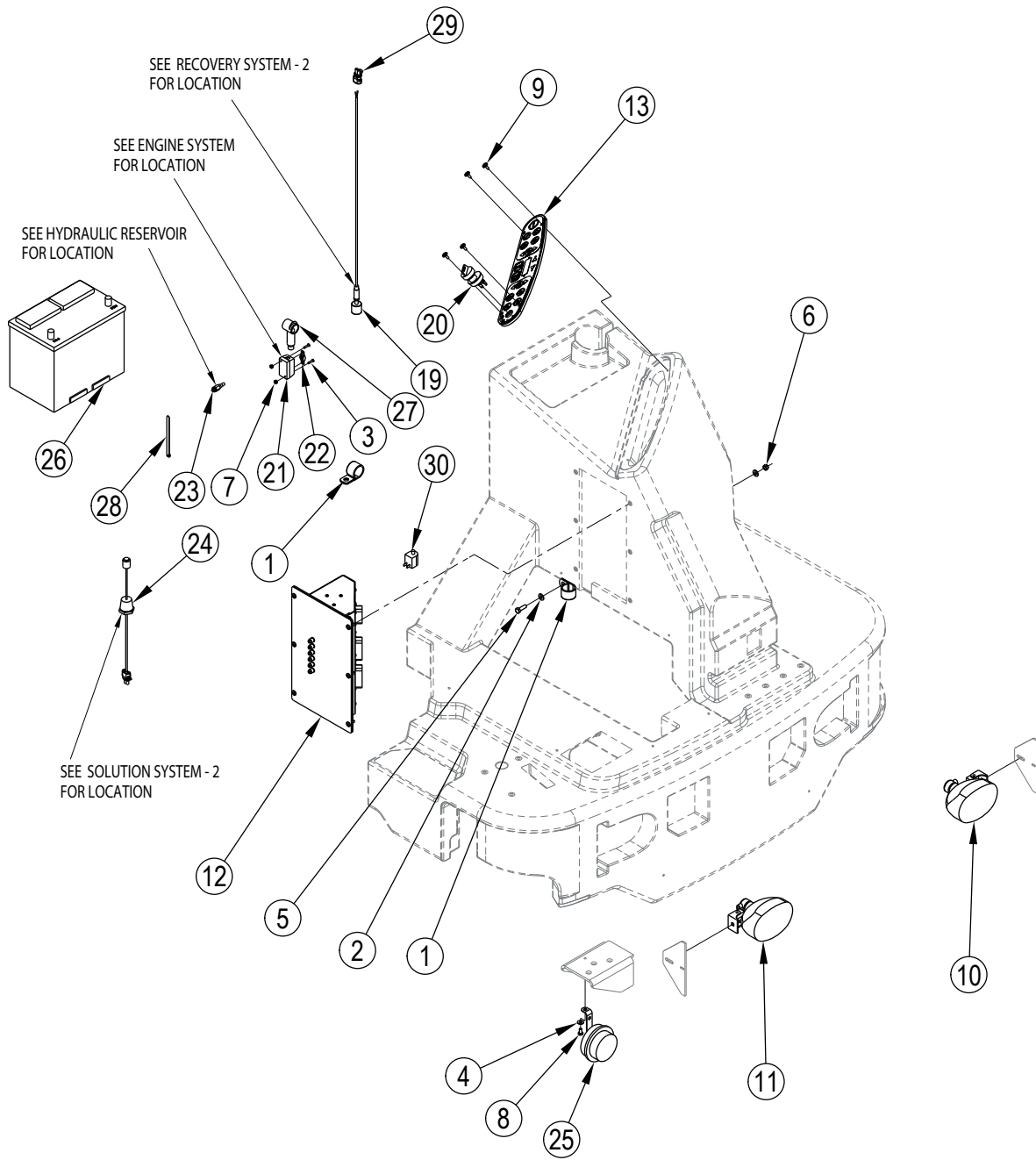
2015.05.19

2013.08.12

Pos.	Product no	QTY	Description	Notes
1	56110817	1	NUT CAS .875-14 THNE9A	
2	56418477	1	GEAR SPUR	
3	56418575	2	PLATE WEAR	
4	56477783	2	SEAL SHAFT RE416JC	
5	56744471	2	BEARING TR CN 1.7817020E00134	
6	56744474	2	BEARING TR CP 3.0627021E00135	
7	56002116	4	SCR HEX 1/2-13 X 3.25	
8	56002186	2	SCR SOC SET LOC 5/16-18 X .62	
9	56002574	2	PIN COT .156X3.	
10	56002770	4	NUT HEX NYL LOC 1/2-13	
11	56003222	1	PIN COT HAIR .125 X DIA.50/.75	
12	56003248	1	KEY SQ .25 X 2.31	
13	56003785	2	SCREW HEX 1/2-20 X 1.25	
14	56009083	1	NUT HEX JAM 3/4 16	
15	56009115	2	WSH FLT HDN .594X1.375X.134	
16	56009139	6	SCR PAN PHIL LOC 10-24X.38	
17	56110153	1	DRIVE WHEEL WELDT	
18	56111386	1	PLATE ADJUSTER	
19	56111514	1	WHEEL P7 MOLD ON 18 X 6	
19	56111811	1	WHEEL URETHANE 18 X 6	[1]
20	56305041	1	RACK	
21	56419189	1	SPACER GEAR	
22	56486733	1	PIN .5 X 1.5	
23	56507462	1	HUB DRIVE WHEEL	
24	8-80-05035	5	STUD-DRIVE WHEEL HUB	

**Part Notes:**

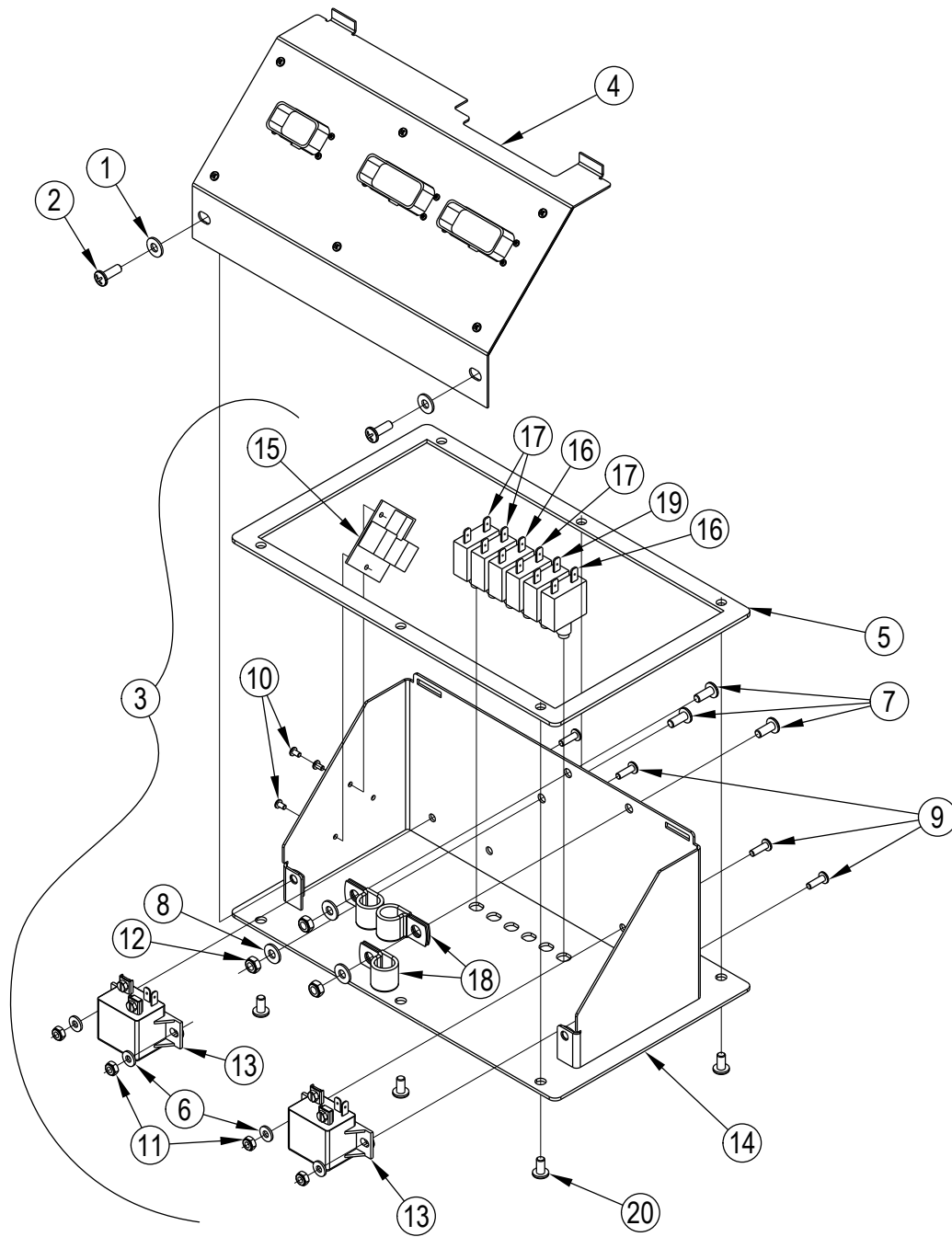
[1] - Optional, Not Included



Pos.	Product no	QTY	Description	Notes
1	56409463	2	CLAMP 1.25 HOSE SUPPORT	
2	56001939	2	WSH FLT SAE 5/16	
3	56002005	2	SCR PAN PHIL 6 32 X .62	
4	56002098	1	WSH FLT SAE 1/4	
5	56002221	1	SCR HEX 5/16-18 X 1.00	
6	56002826	1	NUT HEX NYL LOC-THIN 5/16-18	
7	56002830	2	NUT HEX NYL LOC 6-32	
8	56009033	1	SCR HEX THD FORM 1/4 20X.50	
9	56009206	4	SCR TRUSS PHIL BLK 10 24X.50	
10	56110436	1	HEAD LIGHT ASSY LH	
10	56507224	1	BULB 12V 50W	
11	56110437	1	HEAD LIGHT ASSY RH	
11	56507224	1	BULB 12V 50W	
12	56381122	1	CONTROL BOARD BOX ASSY	
13	56381109	1	DIESEL CONTROL BOARD BOX ASSY	[1]
13	56381129	1	DASHBOARD PANEL ASSEMBLY	
	56111806	1	HARNES-MAIN	
	56110544	1	HARNES BATTERY CABLE	
	56110551	1	CABLE ASM BLK 6-2	
	56110552	1	CABLE ASM RED 6-2	
	56110553	1	CABLE ASM RED 6-3	
	56110549	1	HARNES GLOW PLUG	
19	56110561	1	SWITCH LIQUID LEVEL	
20	56111109	1	KEY SWITCH ASSEMBLY	
20	56303526	1	KEY REPLACEMENT SET OF 2	[2]
21	56111114	1	FUSEHOLDER MIDI	
22	56111123	1	FUSE 100A	
23	56305873	1	SENDER TEMPERATURE	
24	56413669	1	SWITCH LIQUID LEVEL	
25	56442054	1	HORN 12 VOLT CV438	
27	56493357	1	INSULATOR TERMINAL	
28	2-00-04345	30	TY-RAP THOMAS+BETTS-TY-28M	
29	56462361	1	CONN.WR.PK.2 WAY FE	
30	7-82-00050	1	SWITCH	

## Part Notes:

- [1] - (Diesel only) (items 1-5)  
 [2] - (for 56111109)



## ELECTRICAL SYSTEM - CONTROL BOARD ASSY

SC8000 1300 LPG NIL

2015.05.19

2014.11.13

Pos.	Product no	QTY	Description	Notes
	56381122	1	CONTROL BOARD BOX ASSY	[1]
	56381109	1	DIESEL CONTROL BOARD BOX ASSY	[2]
1	56002098	2	WSH FLT SAE 1/4	
2	56002507	2	SCR PAN PHIL 1/4-20 X .75	
3	56110517	1	CONTROL BOARD RELAY ASSY	[3]
3	56111162	1	DIESEL CONTROL BOARD RELAY ASM	[4]
4	56381126	1	CONTROL ASSEMBLY-MAIN	
5	56110523	1	GASKET CONTROL BOX	
6	56001954	2	WSH FLT SAE 10	
7	56002066	3	SCR PAN PHIL 1/4-20 X .62	
8	56002098	3	WSH FLT SAE 1/4	
9	56002124	2	SCREW10-24 X .62 PNH PH	
10	56001904	3	SCR PAN PHIL 6 32 X .38	
11	56002832	2	NUT HEX NYL LOC-THIN 10-24	
12	56002840	3	NUT HEX NYL LOC-THIN 1/4-20	
13	56110423	1	RELAY SPST 12V 75A	
14	56111955	1	CONTROL BOARD WELDT	
15	56110530	1	RELAY PCB ASSY	
16	56413407	2	CIRCUIT BREAKER 15 AMP	
17	56413822	3	CIRCUIT BREAKER 20 AMP	
18	56419120	3	CLAMP,HOSE SUPPORT	
19	56507644	1	CIRCUIT BREAKER 10 AMP	
20	56009062	6	SCR PAN PHIL THD FORM1/4-20X.5	

## Part Notes:

- [1] - (LPG only) (items 1-5)
- [2] - (Diesel only) (items 1-5)
- [3] - (LPG only) (items 6-19)
- [4] - (Diesel only) (items 6-19)





# ENGINE ASSY - LPG

SC8000 1300 LPG NIL

2015.05.19

2014.11.13

Pos.	Product no	QTY	Description	Notes
1	56001836	4	SCR HEX 1/4 20 X .62	
2	56001879	3	WSH FLT SAE 1/2	
3	56003083	3	SCR HEX LOC 1/2-13 X 1.00	
4	56003352	4	NUT HEX M8	
5	56003358	2	SCR HEX M6 X 25.0	
6	56003368	4	SCR SOC HD M6 X 20.0	
7	56003436	1	SCR HEX SS M8-1.25X25MM	
8	56003442	6	SCR HEX LOC M10-1.50X20MM	
9	56003646	1	WSH FLT SS M8	[1]
10	56003684	1	WSH NORD LOCK M10	
11	56003685	1	WASHER NORD LOC M8	
12	56003764	1	SCR HEX M6-1 X 55MM	
13	56003943	4	SCR-HEX FLANGE SS M6-1 X 16MM	
14	56003944	1	SCR-HEX M10-1.25 X 130MM	
15	56003945	1	NUT-HEX M10-1.25	
16	56009064	3	WSH INT SHPRF 1/4	
17	56009214	2	WSH FLT .406X.750X.090	
18		1	Engine Base-Kubota 4-Cyl Lpg	
19	56107590	1	GASKET MANIFOLD	
20	56107592	1	GASKET CAT OUTLET	
21	56107646	1	VAPORIZER	
22	56107648	1	ECU-MOUNT PLATE	
23	56107650	1	HOSE-COOLANT-VAPORIZER SUPPLY	
24	56107652	1	FUEL-SOLENOID	
25	56107747	1	SPACER	
26	56108163	1	BRACKET-VAPORIZER	
27	56108167	1	MOUNT REAR ENGINE	
28	56108168	1	MOUNT ENGINE RIGHT	
29	56108169	1	MOUNT ENGINE LEFT	
30	56108174	1	GASKET-CAT INLET	
31	56108175	1	HOSE-INTAKE ASSY	
32	56108188	1	LPG HOSE-VAPORIZER	
33	56108189	1	HOSE-COOLANT-VAPORIZER RETURN	
34	56108191	1	CRANKCASE HOSE	
35	56108192	1	ECU	
36	56108197	1	BRACKET OFFSET	
37	56108198	1	PULLEY IDLER	
38	56419087	1	FAN BELT	
39	56108200	1	PULLEY CRANK	
40	56108201	1	BRACKET FAN OFFSET	
41	56108202	1	SPACER-VAPORIZER	
42	56110738	1	ALTERNATOR 105 AMP	
43	56111301	1	HOSE RADIATOR	
44	56111312	1	OIL DRAIN ASSY	
45	56111623	1	HOSE LOWER RADIATOR	
46	56112771	2	CLAMP HOSE SAE 10 E00047	
47	56244969	6	CLAMP HOSE SAE 12 E00047	
48	56307249	1	PULLEY FAN 89MM	
49	56380142	1	PUMP HOUSING ASSY	
50	56418718	1	FAN COOLING	
51	56418928	1	FAN SPACER	
52	56507795	1	SPACER COIL BRACKET	
53	56508393	1	BELT VEE	
54	56508429	1	BRACKET ALTERNATOR	
55	2-00-05674	1	FTG-1/4NPT NIPPLE BRASS	
56	56001939	3	WSH FLT SAE 5/16	
57	56002037	1	SCR HEX 5/16-18 X .88	
58	56002098	6	WSH FLT SAE 1/4	
59	56002155	4	SCR HEX 1/4-20 X .75	

Pos.	Product no	QTY	Description	Notes
60	56002701	1	NUT HEX NYL LOC 5/16-18	
61	56002983	4	SCR HEX 1/2-13 X 2.00	
63	56009025	2	WSH FLT .266X.750X.036	
64	56009033	9	SCR HEX THD FORM 1/4 20X.50	
65	56009115	4	WSH FLT HDN .594X1.375X.134	
66	56107568	1	CLAMP BRACKET WELDMENT	
67	56107590	1	GASKET MANIFOLD	
68	56107613	2	SENSOR OXYGEN	
69	56108184	1	BLANKET EXHAUST	
70	56108187	1	GUARD FAN	
71	56108206	1	SHIELD-HEAT	
72	56111476	1	PLATE GUARD	
73	56409463	2	CLAMP 1.25 HOSE SUPPORT	
74	56413839	4	CLAMP HOSE WORM DRIVE	
75	56478461	1	SERVICE INDICATOR RE442DA	
77	56478685	4	MOUNT ENGINE RE446H	
78	56482478	1	CLEANER AIR	
	56482028	1	FILTER SAFETY	
	56482029	1	FILTER PRIMARY	
79	56482621	1	BAND ASSY	
80	2-00-05253	2	CLAMP	
81	56108208	1	SHIELD-HEAT RR	
82	56108207	1	SHIELD-HEAT FR	
83	56002801	5	SCR HEX SS 1/4-20 X .50	
84	56002859	3	WSH FLT SAE SS 1/4	
85	56003352	4	NUT HEX M8	
86	56002708	1	NUT HEX NYL LOC 1/4-20	
87	56002093	1	SCR HEX 1/4-20 X 1.00	
88	56009122	1	WSH FLT .344X.938X.125	
89	56108218	1	FITTING-OIL PAN	
90	56003179	1	SCR HEX THD/HD M8-1.25X20MM	
91	56003185	1	SCR HEX THD/HD M10-1.25X20MM	
92	56003019	3	SCR HEX M10-1.25 X 25 MM	
93	56003492	1	SCR HEX M6-1.0 X 100MM	
94	56003420	1	SCR,HEX M6-1.0 X 35MM	

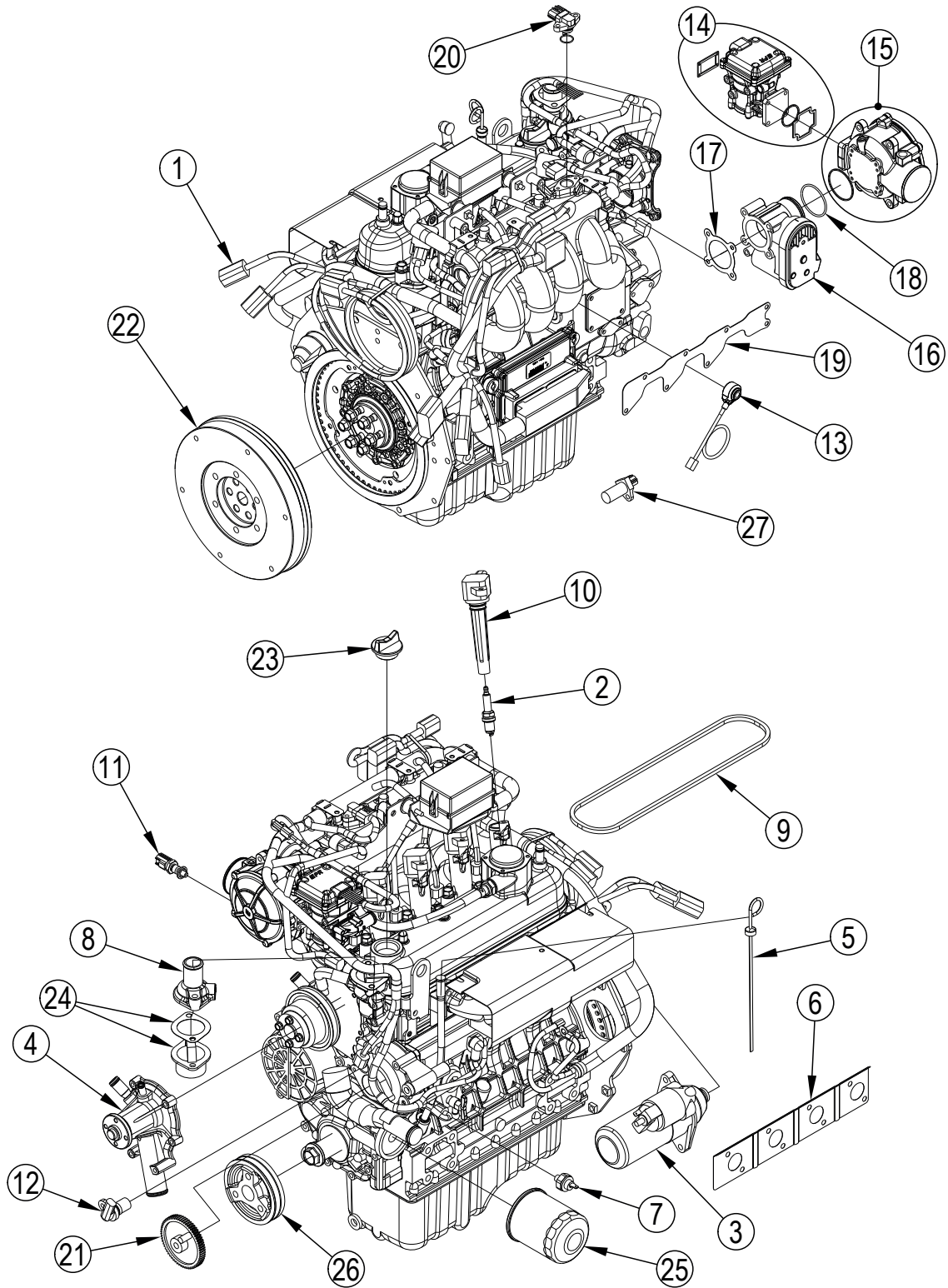
## Part Notes:

[1] - EXPIRED USE 56002938



**Comments:**





# ENGINE BASE ASSY - LPG

SC8000 1300 LPG NIL

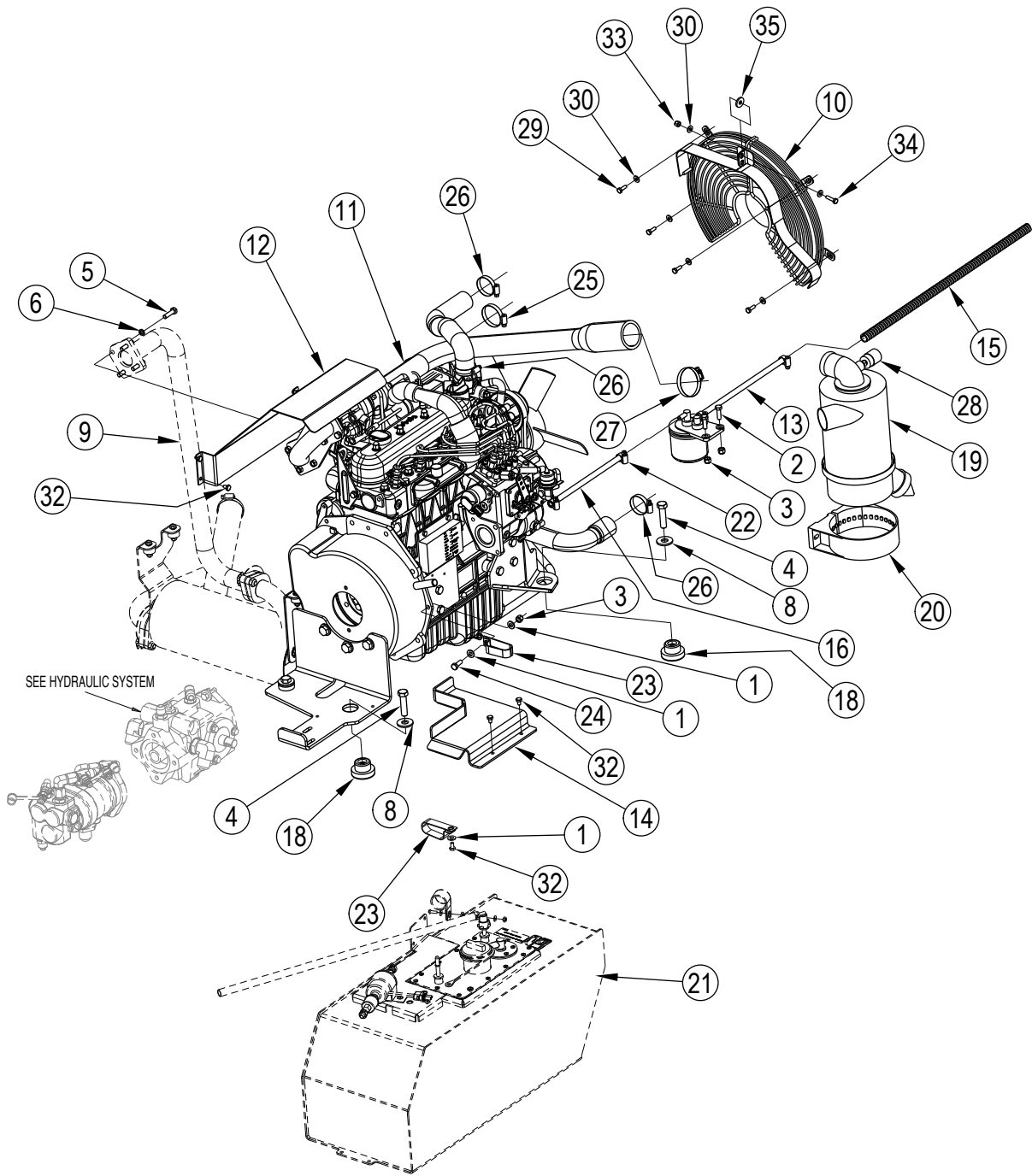
2015.05.19

2013.08.12

Pos.	Product no	QTY	Description	Notes
1	56107705	1	HARNES-KUBOTA 4 CYL LPG	
2	56107706	4	SPARK PLUG	
3	56107707	1	STARTER	
4	56107708	1	WATER PUMP ASSY-LPG	
5	56107710	1	DIPSTICK	
6	56107711	1	GASKET-EXHAUST MANIFOLD	
7	56107712	1	OIL PRESSURE SWITCH	
8	56107716	1	COVER-THERMOSTAT	
9	56107717	1	GASKET-VALVE COVER	
10	56107718	4	IGNITION COIL	
11	56107721	1	WATER TEMP SENSOR W/SEAL	
12	56107736	1	CAM SENSOR	
13	56107737	1	KNOCK SENSOR	
14	56107738	1	DEPR ASSY	
15	56107739	1	MIXER ASSY	
16	56107740	1	THROTTLE BODY	
17	56107741	1	GASKET THROTTLE BODY	
18	56107742	1	O-RING	
19	56107743	1	GASKET INTAKE MANIFOLD	
20	56107744	1	TMAP SENSOR	
21	56107745	1	CAM GEAR	
22	56107746	1	FLYWHEEL	
23	56383025	1	CAP-OIL FILL	
24	56508454	1	THERMOSTAT KIT	
25	56508487	1	OIL FILTER CARTRIDGE	[1]
26	56510973	1	PULLEY-CRANKSHAFT	
27	2-00-06354	1	CRANK/RPM SENSOR	

**Part Notes:**

[1] - EXPIRED USE 56482659



# ENGINE SYSTEM - DIESEL

SC8000 1300 LPG NIL

2015.05.19

2014.11.13

Pos.	Product no	QTY	Description	Notes
1	56001939	3	WSH FLT SAE 5/16	
2	56002221	2	SCR HEX 5/16-18 X 1.00	
3	56002701	3	NUT HEX NYL LOC 5/16-18	
4	56002983	4	SCR HEX 1/2-13 X 2.00	
5	56003416	4	SCR HEX M8-1.25 X 30MM	
6	56003685	4	WASHER NORD LOC M8	
8	56009115	4	WSH FLT HDN .594X1.375X.134	
9		1	Muffler Assy-Diesel	[1]
10	56108187	1	GUARD FAN	
11	56111255	1	DIESEL ENGINE ASSY	
12	56111314	1	HEAT SHIELD	
13	56111335	1	HOSE FUEL LINE	
14	56111476	1	PLATE GUARD	
15	56383225	1	CONDUIT HOSE .75	
16	56111507	1	HOSE FUEL	
18	56478685	4	MOUNT ENGINE RE446H	
19	56482478	1	CLEANER AIR	
	56482028	1	FILTER SAFETY	
	56482029	1	FILTER PRIMARY	
20	56482621	1	BAND ASSY	
21	56108183	1	TANK DIESEL ASSY EU	[2]
22	56756364	4	CLAMP HOSE SAE 4 E00047	
23	2-00-05253	2	CLAMP	
24	56002037	1	SCR HEX 5/16-18 X .88	
25	56329145	1	CLAMP HOSE SAE 24 E00047	
26	56413839	4	CLAMP HOSE WORM DRIVE	
27	56440213	1	CLAMP HOSE SAE 32E00047	
28	7-24-04087	1	FILTER SERVICE INDICATOR 20 WC	
29	56002155	4	SCR HEX 1/4-20 X .75	
30	56002098	4	WSH FLT SAE 1/4	
32	56009033	7	SCR HEX THD FORM 1/4 20X.50	
33	56002708	1	NUT HEX NYL LOC 1/4-20	
34	56002093	1	SCR HEX 1/4-20 X 1.00	
35	56009122	1	WSH FLT .344X.938X.125	
	56463590	1	GLOW PLUG TIMER	
	56110738	1	ALTERNATOR 105 AMP	
	56419086	1	FUEL FILTER CARTRIDGE	
	56482659	1	OIL FILTER SPIN ON	
	56508393	1	BELT VEE	
	56418718	1	FAN COOLING	
	56419087	1	FAN BELT	
	56419088	1	THERMOSTAT	
	56508489	1	THERMOSTAT GASKET	
	56419089	1	STARTER MOTOR	
	56508444	1	SWITCH PRESSURE	
	56419091	1	SWITCH TEMPERATURE	
	56508490	1	THROTTLE/SHUT DOWN ACTUATOR	
	56508400	1	GOVERNOR CONTROLLER	
	56111319	1	SPEED SENSOR	
	56111301	1	HOSE RADIATOR	
	56111312	1	OIL DRAIN ASSY	
	56508355	1	FUEL PUMP ELECTRONIC	[3]
	56419307	1	GASOLINE STRAINER-30 MICRON	
	56111320	1	DRIVE PLATE	
	56111622	1	HOSE AIR CLEANER	
	56111623	1	HOSE LOWER RADIATOR	
	56419107	1	EXHAUST GASKET	[3]
	56501005	1	ANTI-FREEZE	
	56501068	1	OIL 10W30 6/1 API CF	

# ENGINE SYSTEM - DIESEL

SC8000 1300 LPG NIL

2015.05.19

2014.11.13

---

Pos.	Product no	QTY	Description	Notes
	56380140	1	HUB ENGINE	
	56380142	1	PUMP HOUSING ASSY	
	56111320	1	DRIVE PLATE	
	56380146	1	KIT HARDWARE ENGINE HUB	

## Part Notes:

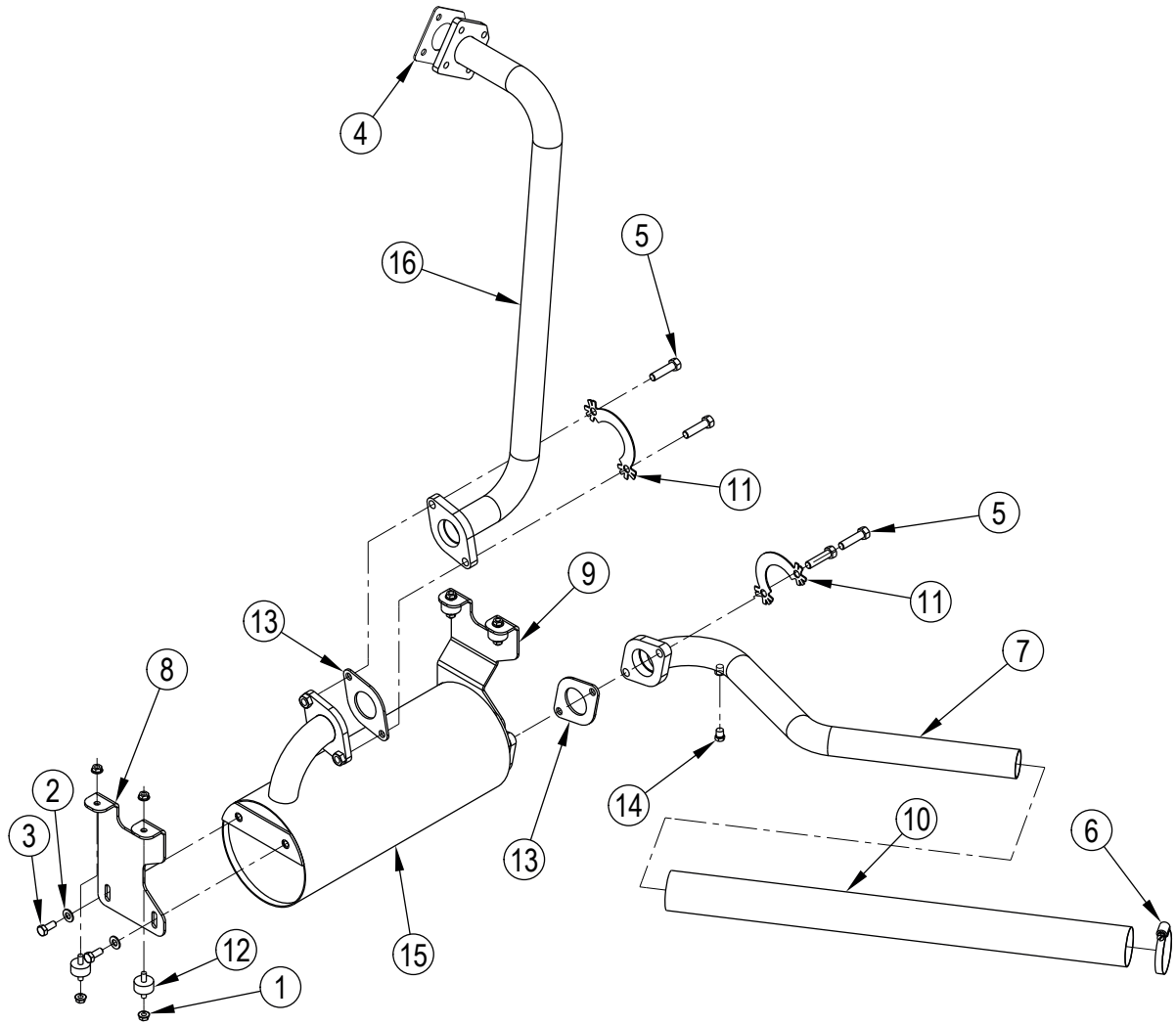
- [1] - EXHAUST MUFFLER ASSY - DIESEL
- [2] - FUEL TANK ASSY - DIESEL
- [3] - Shipped with the engine.





**Comments:**





# EXHAUST MUFFLER ASSY - DIESEL

SC8000 1300 LPG NIL

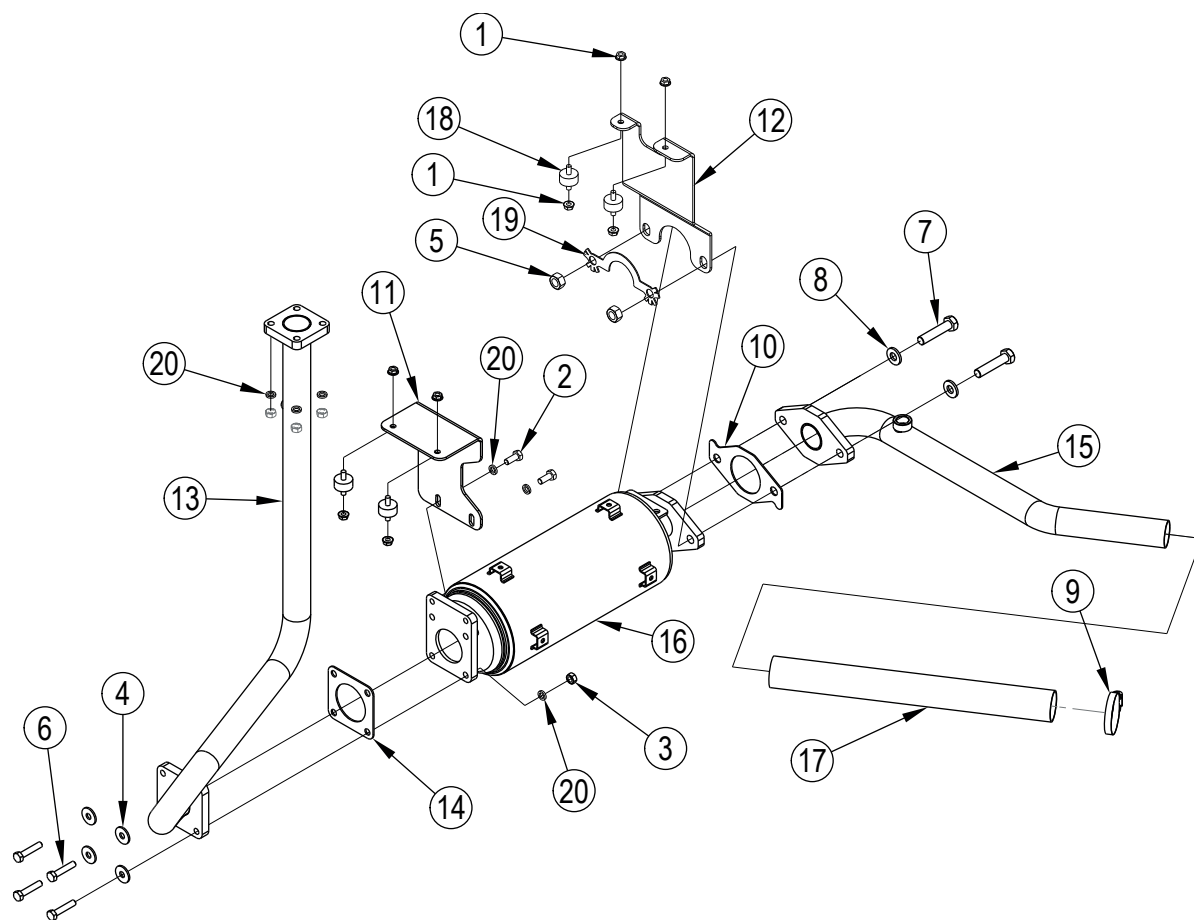
2015.05.19

2013.08.12

Pos.	Product no	QTY	Description	Notes
1	56001827	8	NUT HEX SERRATED 1/4 20	
2	56001939	4	WSH FLT SAE 5/16	
3	56002667	4	SCR HEX 5/16-18 X .75	
4	56419107	1	EXHAUST GASKET	[1]
5	56003787	4	SCR HEX 3/8-24 X 1.50	
6	56049999	1	CLAMP HOSE	
7	56110399	1	LP/PETROL TAILPIPE WELDMENT	
8	56110459	1	BRACKET MUFFLER	
9	56110797	1	BRACKET MUFFLER	
10	56110868	1	SLEEVE INSULATION	
11	56111634	2	LOCK SCREW	
12	56305216	4	STUD MOUNT SILICON	
13	56305549	2	GASKET EXHAUST	
14	2-00-03778	1	HEX HD 1/8 NPT PLUG	
15	56110624	1	MUFFLER	
16	56110314	1	EXHAUST TUBE WELDT	

**Part Notes:**

[1] - Shipped with the engine.



## EXHAUST CATALYST ASSY - LPG

SC8000 1300 LPG NIL

2015.05.19

2013.08.12

Pos.	Product no	QTY	Description	Notes
1	56001827	8	NUT HEX SERRATED 1/4 20	
2	56003179	2	SCR HEX THD/HD M8-1.25X20MM	
3	56003352	4	NUT HEX M8	
4	56003362	4	WSH FLT 8 MM	[1]
5	56003410	2	NUT-HEX M12-1.75	
6	56003437	4	SCR HEX SS M8-1.25X40MM	
7	56003708	2	SCR HEX M12-1.75 X 55MM	
8	56003889	2	WSH-FLT 12MM	
9	56049999	1	CLAMP HOSE	
10	56107592	1	GASKET CAT OUTLET	
11	56108160	1	BRACKET-MUFFLER LT	
12	56108161	1	BRACKET-MUFFLER RT	
13	56108164	1	EXHAUST TUBE WELDMENT	
14	56108174	1	GASKET-CAT INLET	
15	56108178	1	TAILPIPE WELDMENT	
16	56108181	1	CATALYST-MUFFLER	
17	56108182	1	SLEEVE-INSULATION	
18	56305216	4	STUD MOUNT SILICON	
19	56107616	1	LOCK SCREW	
20	56003685	10	WASHER NORD LOC M8	

## Part Notes:

[1] - EXPIRED 10/11/2006



# FUEL TANK ASSY - DIESEL

SC8000 1300 LPG NIL

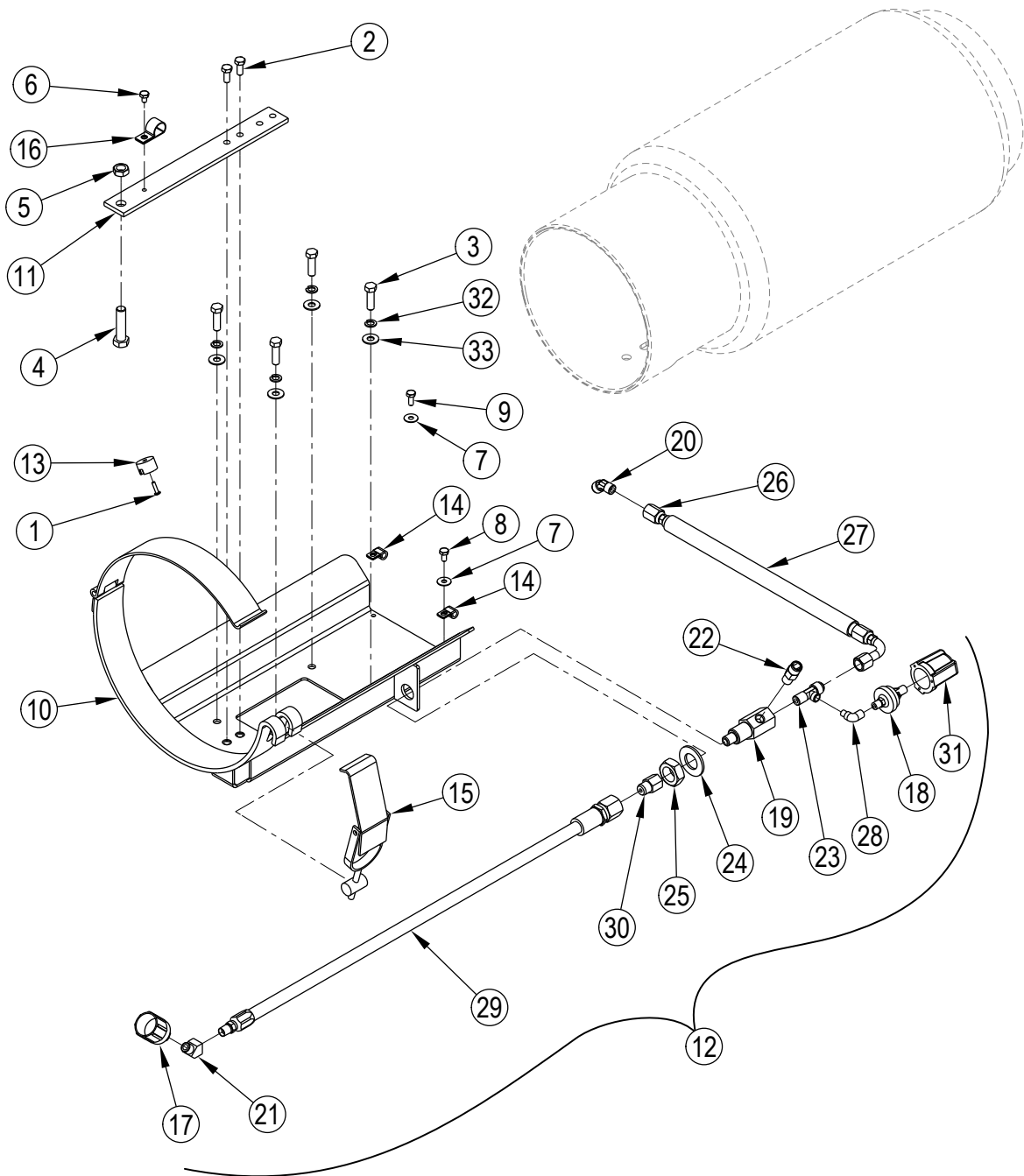
2015.05.19

2014.11.13

Pos.	Product no	QTY	Description	Notes
	56108183	1	TANK DIESEL ASSY EU	[1]
1	7-11-04083	2	FITTING -6 STOR-5/16 SAE J2044	
2	56478358	1	SENDER FUEL LEVEL RE437A	
3	56001954	1	WSH FLT SAE 10	
4	56001993	18	SCREW 10-24 X 0.5 ZINC PL	
5	56002192	1	SCR PAN PHIL 10-24 X .75	
6	56009033	1	SCR HEX THD FORM 1/4 20X.50	
7	56025454	1	DECAL DIESEL FUEL	
8	56419307	1	GASOLINE STRAINER-30 MICRON	
9	56454275	1	BUSHING .20X.31X.12	
10	56492305	1	BOOT	
11	56507946	1	TANK FUEL WELDMENT	
12	56507957	1	HOSE ASSY	
13	56508348	1	COVER PLATE WELDT	
14	56508349	1	GASKET COVER	
15	56508354	1	FUEL CAP	
16	56508515	2	CLAMP	
17	56111325	1	FUEL HOSE ASSY	
18	56756364	1	CLAMP HOSE SAE 4 E00047	
19	56002155	4	SCR HEX 1/4-20 X .75	
20	56002708	4	NUT HEX NYL LOC 1/4-20	
21	56003079	4	SCR HEX LOC 3/8-16 X .75	
22	56110475	1	TANKMOUNT WELDMENT	
23	56001954	2	WSH FLT SAE 10	
24	56002829	1	SCR HEX 10-24 X .62	
25	56002832	1	NUT HEX NYL LOC-THIN 10-24	
26	56409463	3	CLAMP 1.25 HOSE SUPPORT	
27	56009025	2	WSH FLT .266X.750X.036	
28	56009033	2	SCR HEX THD FORM 1/4 20X.50	
29	56111506	1	CONDUIT HOSE 1.00	
30	56508355	1	FUEL PUMP ELECTRONIC	[2]
31	56002808	1	NUT HEX NYL LOC 8-32	
32	56209261	19	WASHER SEALING	
33	56002708	1	NUT HEX NYL LOC 1/4-20	
34	56486112	1	CLAMP P	
35	56002098	1	WSH FLT SAE 1/4	
36	2-00-00221	1	SCW-HHC .25-20 X .75 GR 8 ZN	
37	2-00-00506	1	LK WASH INT TOOTH 8 DIA SCREW	
38	2-00-02310	4	LK WASH HELICAL SPR ZN	
39	2-00-00410	4	WSHR-FL .875X.375X.063 STL.ZN	

**Part Notes:**

- [1] - (Items 1-16, 31-37)
- [2] - Shipped with the engine.





# FUEL TANK ASSY - LPG

SC8000 1300 LPG NIL

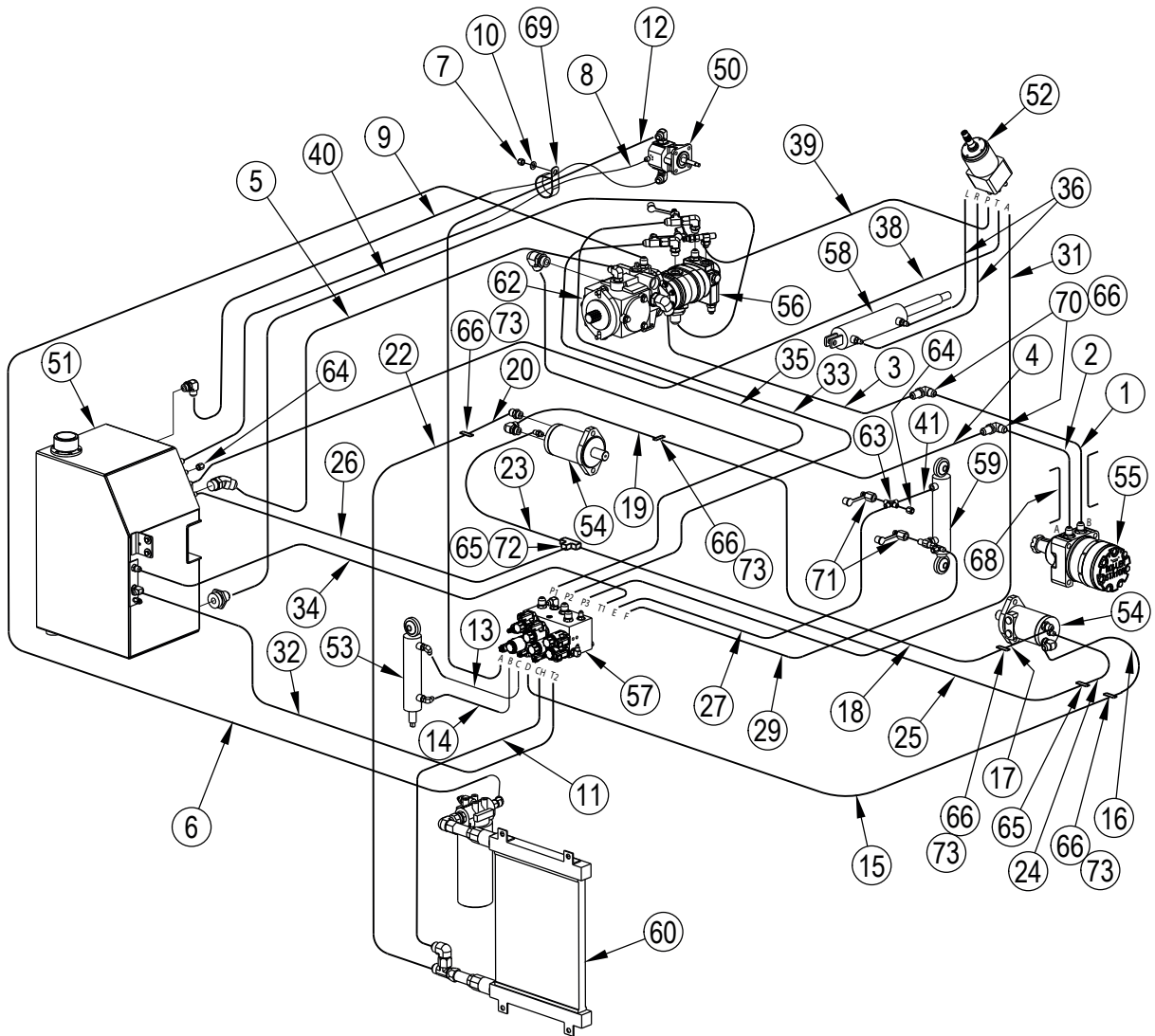
2015.06.15

2015.07.01

Pos.	Product no	QTY	Description	Notes
	56110468	1	LP TANK BRACKET ASSY	[1]
1	56002146	1	SCR PAN PHIL 8-32 X .62	
2	56002956	2	SCR HEX LOC 5/16 18 X .75	
3	2-00-04705	4	SCW-HHC .375 GRADE 8 ZN PL	
4	2-00-04967	1	SCR.-HHM .50-13 X 2.50 GR5 ZN	
5	56009016	1	NUT HEX JAM 1/2 13	
6	56009019	1	SCR HEX THD FORM 1/4-20X .38	
7	56009025	2	WSH FLT .266X.750X.036	
8	56009033	1	SCR HEX THD FORM 1/4 20X.50	
9	56009250	1	SCR HEX THD FORM 1/4-20X.62	
10	56110469	1	LP TANK BRACKET WELDT	
11	56110472	1	BAR	
12	56110659	1	LP FILTER ASSEMBLY	[2]
13	56110985	1	MAGNET	
14	56323260	2	CLAMP CABLE	
15	56481997	1	CLAMP	
16	2-00-04564	1	CABLE CLAMP	
17	56369675	1	COUPLER FEMALE CV140P	
18	56418381	1	SWITCH N C PRESSURE	
19	56418934	1	FITTING BULKHEAD	
20	56456598	1	ELBOW MALE 45 DEG E00238	
21	56368938	1	ELBOW ST 1/4X45 BR E00029	
22	56456624	1	VENT 1/4 NPT	
23	56900921	1	TEE	
24	56002228	1	WSH FLT SAE 7/8	
25	56002615	1	NUT HEX JAM 7/8-14	
26	56110660	1	LP HOSE ASSY	
27	56110661	1	CONDUIT	
28	56111309	1	ELBOW ST 1/8X90 BR E00031	
29	56384522	1	HOSE-LP 1/4 NTPF X 5/8-18 35LG	
30	56305505	1	ADAPTER SAE 45 DEGREE	
31	56419241	1	DUST BOOT	
32	2-00-02310	4	LK WASH HELICAL SPR ZN	
33	2-00-00410	4	WSHR-FL .875X.375X.063 STL.ZN	

Part Notes:

- [1] - (items 1-16)
- [2] - (items 17-31)



# HYDRAULIC SYSTEM

SC8000 1300 LPG NIL

2015.05.19

2014.07.18

Pos.	Product no	QTY	Description	Notes
1	56110670	1	HOSE ASSY	
2	56110705	1	HOSE ASSY	
3	56110671	1	HOSE ASSY	
4	56110672	1	HOSE ASSY	
5	56110673	1	HOSE ASSY	
6	56108204	1	HOSE ASSY	
7	56002769	1	NUT HEX NYL LOC 3/8-16	
8	56110676	1	HOSE ASSEMBLY	
9	56110677	1	HOSE ASSY	
10	56002063	1	WSH FLT SAE 3/8	
11	56110679	1	HOSE ASSY	
12	56110680	1	HOSE ASSY	
13	56110681	1	HOSE ASSY	
14	56110682	1	HOSE ASSY	
15	56110683	1	HOSE ASSY	
16	56110684	1	HOSE ASSY	
17	56110685	1	HOSE ASSY	
18	56110686	1	HOSE ASSY	
19	56110687	1	HOSE ASSY	
20	56110688	1	HOSE ASSY	
22	56110690	1	HOSE ASSY	
23	56110691	1	HOSE ASSY	
24	56110692	1	HOSE ASSY	
25	56110693	1	HOSE ASSY	
26	56110694	1	HOSE ASSY	
27	56110695	1	HOSE ASSY	
29	56110697	1	HOSE ASSY	
31	56383873	1	HOSE ASSY-HYDRAULIC-3/8X109	
32	56110700	1	HOSE ASSY	
33	56383874	1	HOSE ASSY-HYDRAULIC-1/2X45	
34	56110702	1	HOSE ASSY	
35	56383875	1	HOSE ASSY-HYDRAULIC-3/8X45	
36	56110704	2	HOSE ASSY	
38	56110706	1	HOSE ASSY	
39	56110707	1	HOSE ASSY	
40	56110708	1	HOSE ASSY	
41	56110739	1	HOSE ASSY	
50		1	Fan Motor Assembly	
51		1	Reservoir Assy	
52		1	Steering Pump Assy	
53		1	Squeegee Cylinder Assy	
54		1	Hydraulic Motor Assy	
55		1	Drive Motor Assy	
56		1	Pump Assembly, Low Speed	
57		1	Valve Block Assy	
58		1	Cylinder Assembly, Steer	
59		1	Scrub Lift Cyl. Assy	
60		1	Oil Cooler Assy	
61		1	Intentionally Omitted	
62		1	Pump Assembly	
63	56111164	1	UNION CROSS	
64	56111165	2	END CAP FLARE TUBE	
65	56418744	2	LOCKNUT BULKHEAD	
66	56418745	8	LOCKNUT BULKHEAD	
68	56463427	1	SLEEVE 32 IN. NYLON	
69	56315257	1	CLAMP P	
70	56900404	2	ELBOW UNION 8 E00012	
71	56900906	2	TEST NIPPLE	
72	56900927	1	TEE BULKHEAD RUN	

# HYDRAULIC SYSTEM

SC8000 1300 LPG NIL

2015.05.19

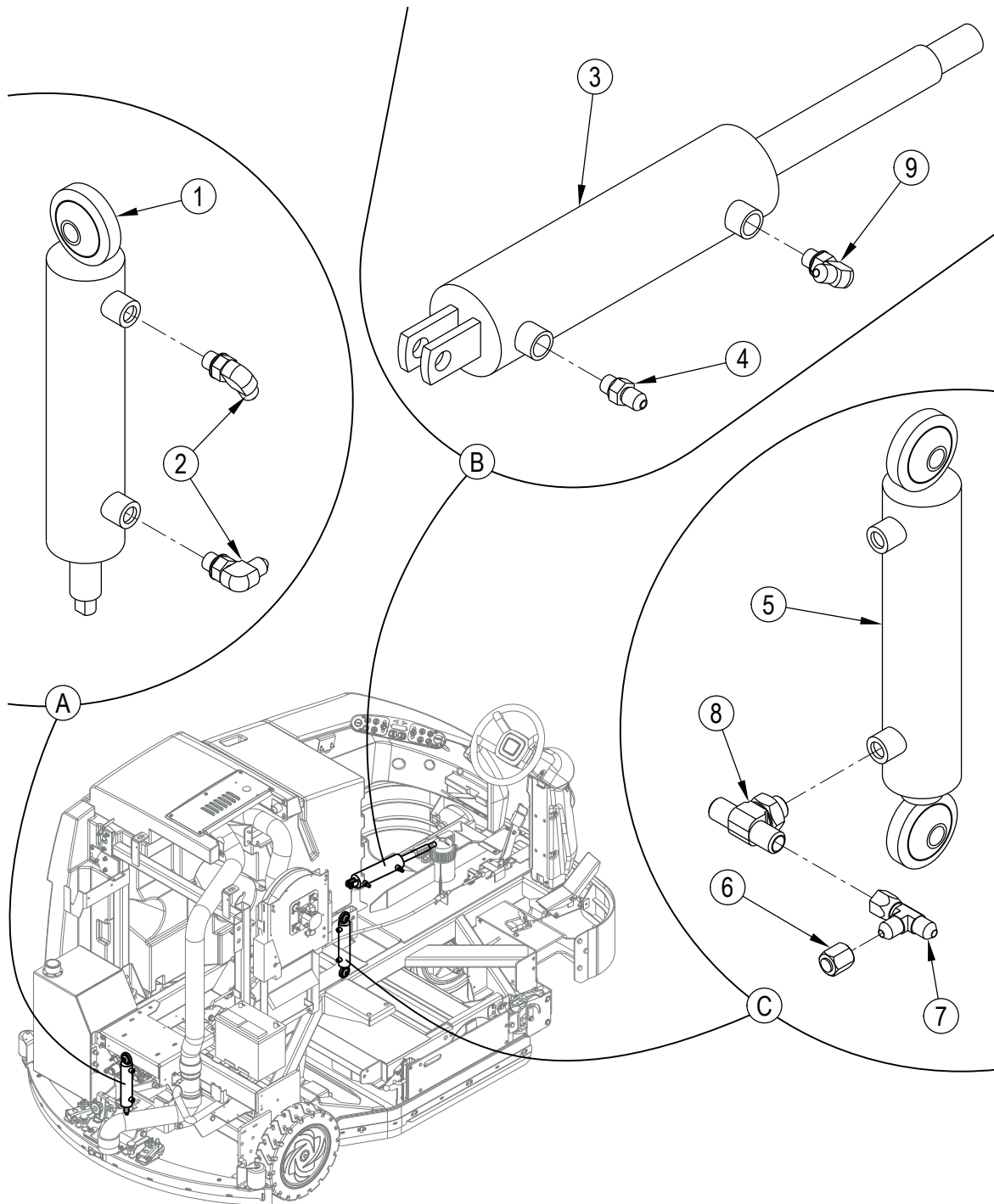
2014.07.18

---

<b>Pos.</b>	<b>Product no</b>	<b>QTY</b>	<b>Description</b>	<b>Notes</b>
73	56002139	4	WSH INT SHPRF 3/4	

---

**Comments:**



# HYDRAULIC CYLINDER ASSEMBLIES

SC8000 1300 LPG NIL

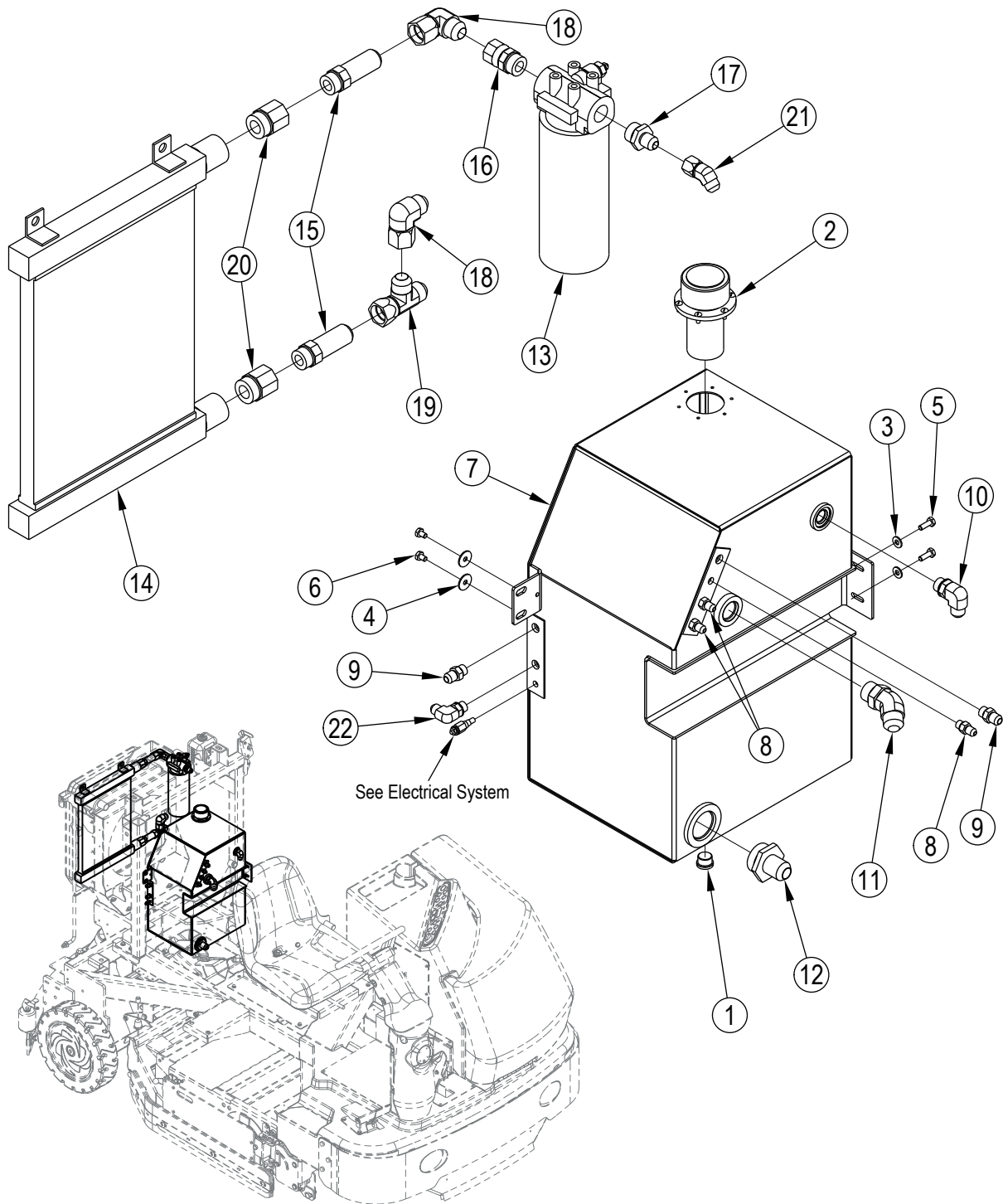
2015.05.19

2013.08.12

Pos.	Product no	QTY	Description	Notes
A		1	Squeegee Cylinder Assy	[1]
1	56110262	1	CYLINDER HYDRAULIC 1.5X5	
	56305702	1	SEAL KIT	
2	56900101	2	ELBOW 90 DEG.O/R -4 E00003	
B		1	Cylinder Assembly, Steer	[2]
3	56304933	1	CYLINDER HYDRAULIC 2 X 6	
	56488723	1	SEAL KIT	
4	56900001	1	CONNECTOR O RING 4 E00001	
9	56900101	1	ELBOW 90 DEG.O/R -4 E00003	
C		1	Scrub Lift Cyl. Assy	[3]
5	56110370	1	CYLINDER HYDRAULIC 1.50X5.00	
	56110723	1	SEAL KIT	
6	56111165	1	END CAP FLARE TUBE	
7	56900341	1	TEE RUN W/NUT 4 E00009	
8	56900356	1	TEE BRANCH O RING EO0006	

**Part Notes:**

- [1] - (items 1-2)
- [2] - (items 3-4, 9)
- [3] - (items 5-8)





# HYDRAULIC OIL COOLER - RESERVOIR

SC8000 1300 LPG NIL

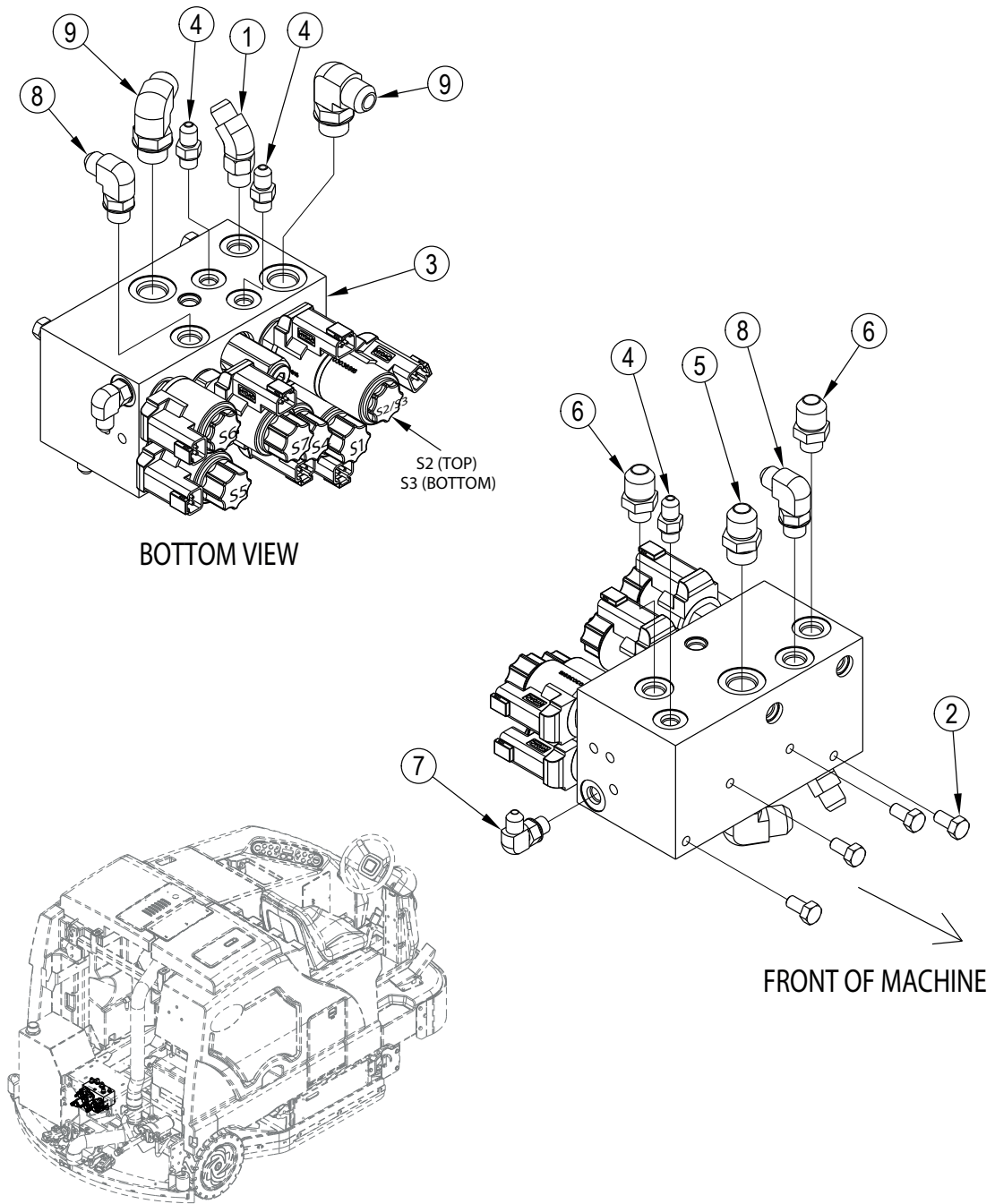
2015.05.19

2013.08.12

Pos.	Product no	QTY	Description	Notes
1	56463403	1	PLUG HEX O-RING E00594	
2	56479656	1	FILLER CAP RE483B	
3	56002098	2	WSH FLT SAE 1/4	
4	56009002	2	WASHER FLAT .266X.906X.060	
5	56009018	2	SCR HEX THD FORM 1/4-20X .75	
6	56009019	2	SCR HEX THD FORM 1/4-20X .38	
7	56110170	1	RESERVOIR WELDMENT	
8	56900001	3	CONNECTOR O RING 4 E00001	
9	56900003	2	CONNECTOR O/R -6 E00001	
10	56900104	1	ELBOW 90 DEG.O/R -8 E00003	
11	56900156	1	ELBOW 45 DEG.O/R W/NUT E00004	
12	56900451	1	CONNECTOR O-RING	
	56110665	1	OIL COOLER ASSY	[1]
13	56456449	1	FILTER ASSY OIL	
	56496209	1	FILTER ELEMENT	
14	56463678	1	COOLER OIL	
15	56110978	2	FITTING LONG STRAIGHGT	
16	56110981	1	FITTING SWIVEL STR	
17	56900016	1	CONNECTOR O/R -8-12	
18	56900306	2	ELBOW 90D W/NUT -12 E00007	
19	56900346	1	TEE RUN W/NUT E00009	
20	56900608	2	REDUCER W/O RING E00026	
21	56900324	1	ELBOW 45DEG W/NUT 8 E00008	
22	56900103	1	ELBOW 90 DEG O/R -6 E00003	

**Part Notes:**

[1] - (items 13-21)



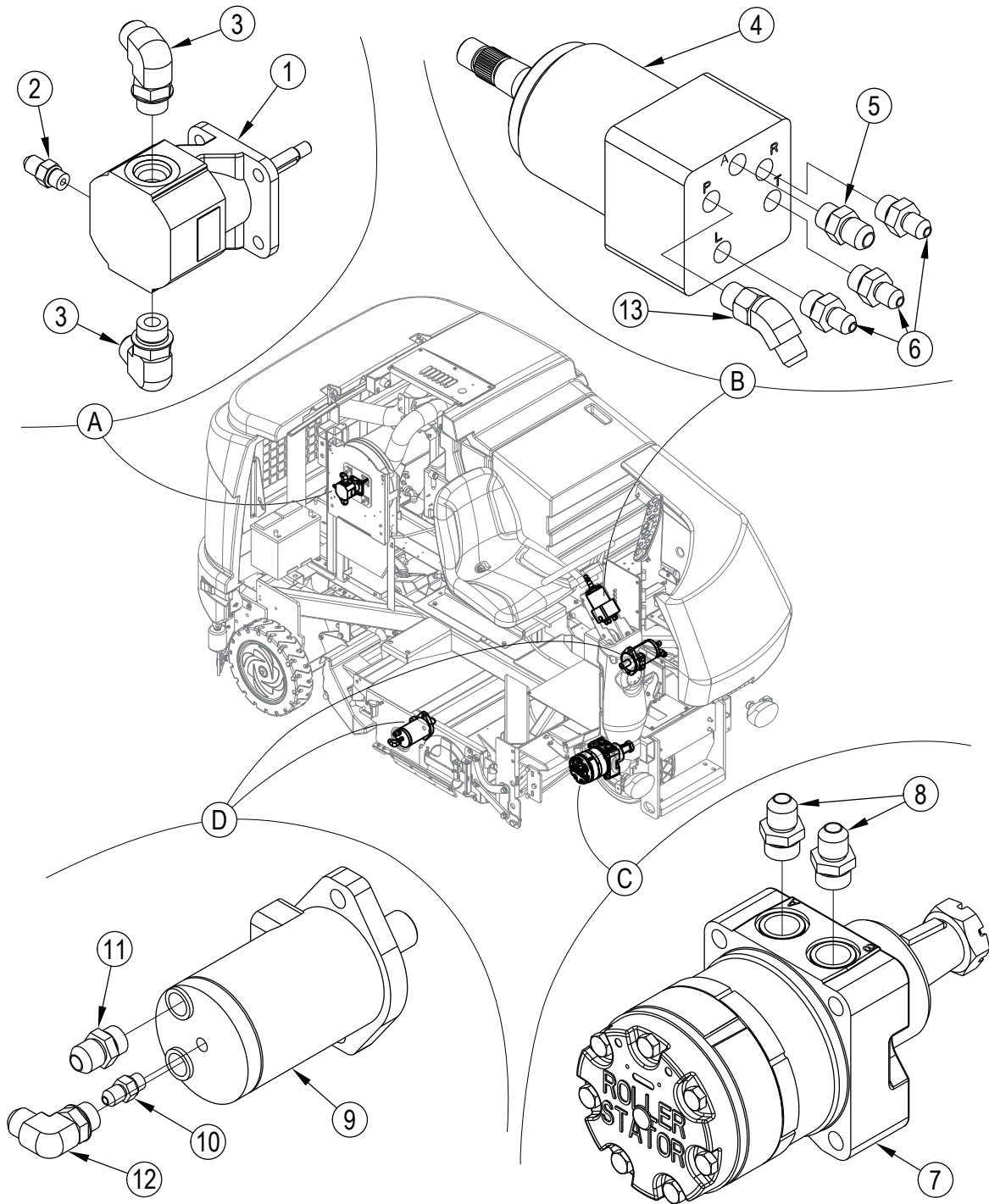
# HYDRAULIC VALVE BLOCK ASSY

SC8000 1300 LPG NIL

2015.05.19

2013.08.12

Pos.	Product no	QTY	Description	Notes
1	56900153	1	ELBOW 45 O-RING W/NUT	
2	56002929	4	SCR HEX LOC 5/16-18 X .62	
3	56110271	1	VALVE BLOCK HYDRAULIC	
3	56110717	1	CARTRIDGE REPLACEMENT DUAL	
3	56110718	1	CARTRIDGE REPLACEMENT 2 WAY	
3	56110719	1	CARTRIDGE REPLACEMENT	
3	56110720	1	PROPORTIONAL VALVE REPLACEMENT	
3	56110721	1	PROP/REL VALVE REPLACEMENT	
3	56419397	1	RELIEF VALVE CARTRIDGE	
3	56111194	1	RELIEF CARTRIDGE	
3	56110712	1	COIL REPLACEMENT	
3	56110716	1	COIL REPLACEMENT PROP	
3	56305348	1	SEAL KIT DOUBLE	
3	56305354	1	SEAL KIT	
3	56111198	1	SEAL KIT	
3	56305349	1	SEAL KIT	
3	56305822	1	SEAL KIT	
4	56900001	3	CONNECTOR O RING 4 E00001	
5	56900004	1	CONNECTOR O/R 8 E00001	
6	56900020	2	CONNECTOR O/R -8-6 E00001	
7	56900101	1	ELBOW 90 DEG.O/R -4 E00003	
8	56900103	2	ELBOW 90 DEG O/R -6 E00003	
9	56900104	2	ELBOW 90 DEG.O/R -8 E00003	



# HYDRAULIC MOTOR ASSEMBLIES

SC8000 1300 LPG NIL

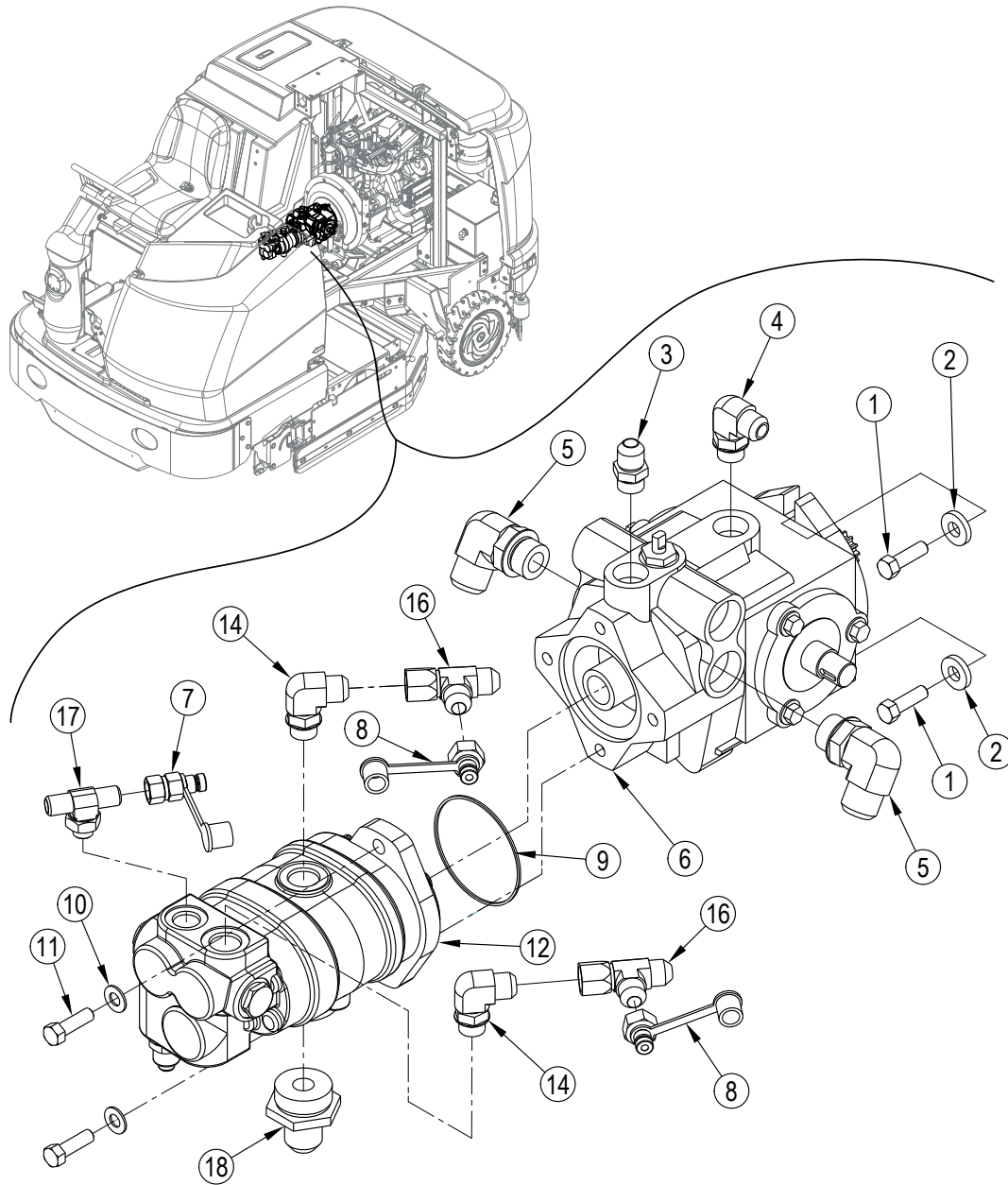
2015.05.19

2013.08.12

Pos.	Product no	QTY	Description	Notes
A		1	Fan Motor Assembly (items 1-3)	
1	56110061	1	MOTOR HYDRAULIC.129 CIR	
	56418823	1	SEAL KIT	
2	56900001	1	CONNECTOR O RING 4 E00001	
3	56900104	2	ELBOW 90 DEG.O/R -8 E00003	
B		1	Steering Pump Assembly (items 4-6, 13)	
4	56111518	1	STEERING PUMP	
	56419521	1	SEAL KIT STEERING	
5	56900003	1	CONNECTOR O/R -6 E00001	
6	56900011	3	CONNECTOR 4 6 E00001	
13	56900153	1	ELBOW 45 O-RING W/NUT	
C		1	Drive Motor Assembly (items 7-8)	
7	56110351	1	MOTOR TRACTION DRIVE	
	56507618	1	SEAL KIT	
8	56900015	2	CONNECTOR O RING E00001	
D	56110339	1	HYDRAULIC MOTOR ASSY	[1]
9	56497525	1	MOTOR MAIN BROOM	
	56479577	1	SEAL KIT	
	56307149	1	VITON SEAL KIT	
10	56900001	1	CONNECTOR O RING 4 E00001	
11	56900004	1	CONNECTOR O/R 8 E00001	
12	56900104	1	ELBOW 90 DEG.O/R -8 E00003	

**Part Notes:**

[1] - (items 9-12)



# HYDRAULIC PUMP ASSEMBLIES

SC8000 1300 LPG NIL

2015.05.19

2014.01.10

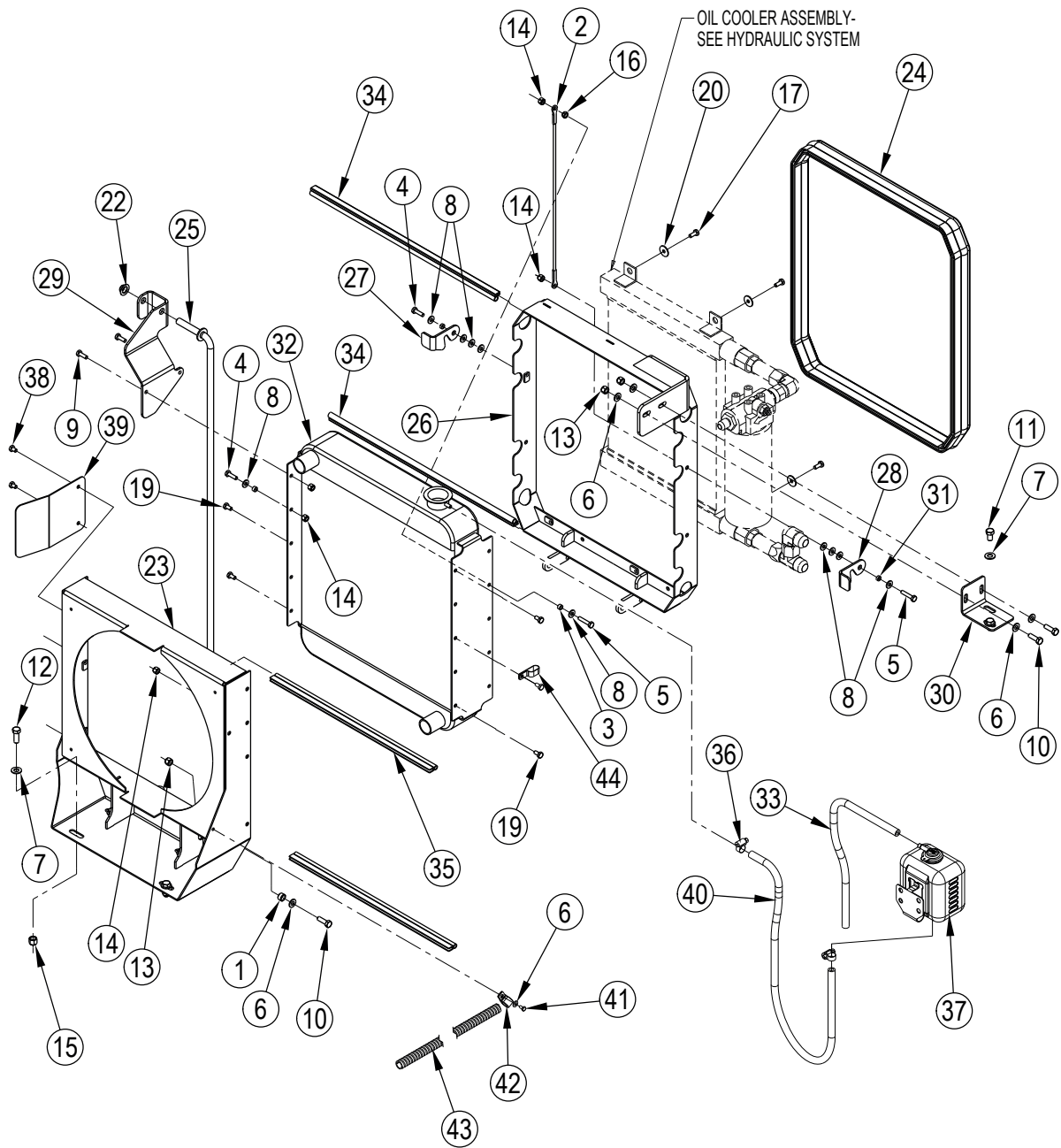
Pos.	Product no	QTY	Description	Notes
		1	Pump Assembly (items 1-6)	
1	56003029	2	SCR HEX LOC 3/8-16 X 1.25	
2	56009106	2	WSH FLT .453X1.000X.179	
3	56900004	1	CONNECTOR O/R 8 E00001	
4	56900104	1	ELBOW 90 DEG.O/R -8 E00003	
5	56900106	2	ELBOW 90DEG.O/R 12 E00003	
6	56304112	1	PUMP PISTON	
6	56305360	1	SEAL KIT	
6	56111605	1	RELEIF VALVE 3500 PSI	
		1	Pump Assembly Low Speed (items 7-18)	
7	56418865	1	COUPLING ø6 TEST PORT	
8	56418866	2	COUPLING 8 TEST PORT	
9	56488002	1	O-RING	
10	56002063	2	WSH FLT SAE 3/8	
11	56003029	2	SCR HEX LOC 3/8-16 X 1.25	
12	56110371	1	PUMP DUAL LOW SPEED	
12	56418987	1	SEAL KIT FOR 56418963	
12	56111496	1	RELIEF CARTRIDGE	
14	56900104	2	ELBOW 90 DEG.O/R -8 E00003	
16	56900344	2	TEE E00009	
17	56900353	1	TEE BRANCH O-RING E00006	
18	56900451	1	CONNECTOR O-RING	

# RADIATOR ASSY

SC8000 1300 LPG NIL

2015.05.19

2013.08.12





# RADIATOR ASSY

SC8000 1300 LPG NIL

2015.05.19

2013.08.12

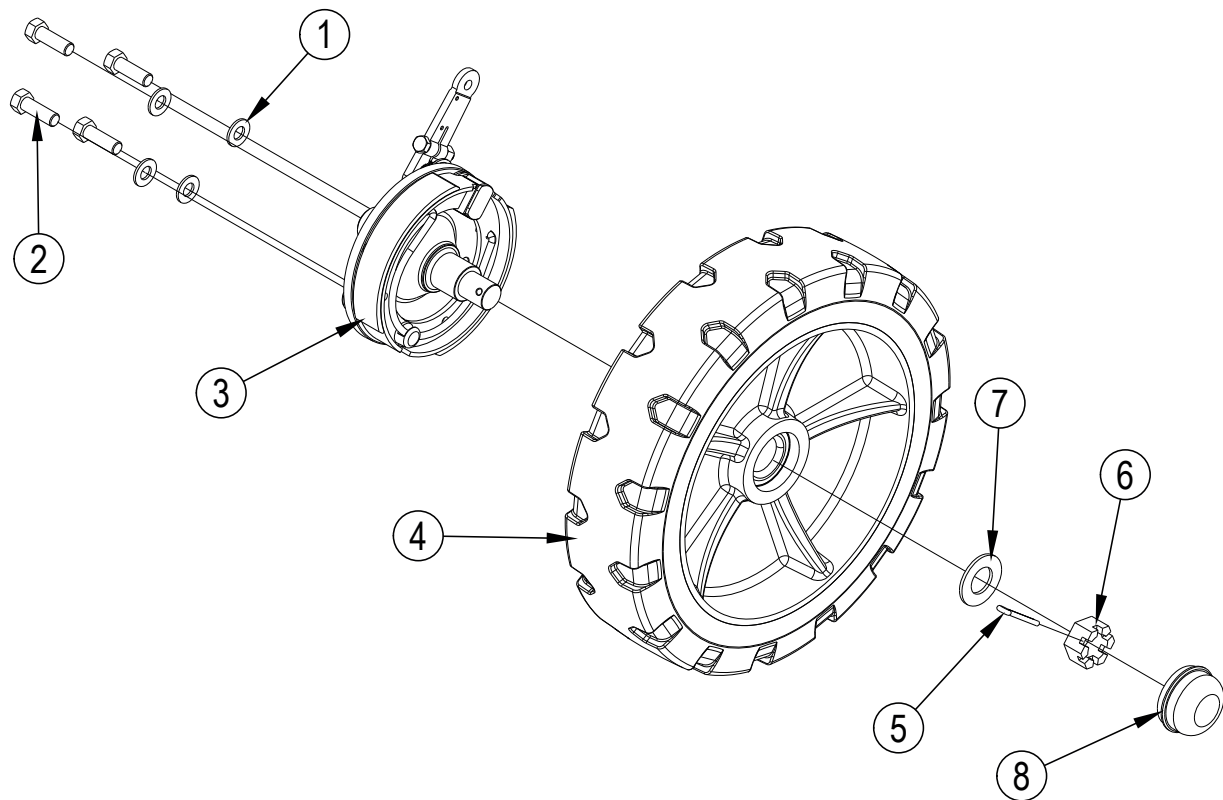
Pos.	Product no	QTY	Description	Notes
1	56232181	2	BUSHING .37X.56X.31FC218J	
2	56108194	1	CABLE	
3	56368997	2	BUSHING .25X.37X.21CV82H	
4	56001821	2	SCR HEX 1/4 20 X .88	
5	56001878	2	SCR HEX 1/4 20 X 1.25	
6	56001939	6	WSH FLT SAE 5/16	
7	56002063	10	WSH FLT SAE 3/8	
8	56002098	10	WSH FLT SAE 1/4	
9	56002155	2	SCR HEX 1/4-20 X .75	
10	56002221	4	SCR HEX 5/16-18 X 1.00	
11	56002234	2	SCR HEX 3/8-16 X .62	
12	56002663	4	SCR HEX 3/8-16 X 1.00	
13	56002701	4	NUT HEX NYL LOC 5/16-18	
14	56002708	5	NUT HEX NYL LOC 1/4-20	
15	56002769	4	NUT HEX NYL LOC 3/8-16	
16	56002840	1	NUT HEX NYL LOC-THIN 1/4-20	
17	56002922	4	SCR HEX LOC 1/4-20 X .62	
19	56003039	5	SCR HEX LOC 1/4-20 X .50	
20	56009002	4	WASHER FLAT .266X.906X.060	
22	56009097	1	NUT PUSH CAP 1/2	
23	56110242	1	FAN SHROUD WELDMENT	
24	56110656	1	GASKET RADIATOR	
25	56110966	1	PROP ROD WELDT	
26	56111233	1	OIL COOLER MNT WELDT	
27	56111237	1	LATCH OIL COOLER-RT	
28	56111238	1	LATCH OIL COOLER-LT	
29	56111245	1	BRACKET HOOD PROP	
30	56111530	1	BRACKET OIL FILTER	
31	56163872	2	BUSHING .25X.37X.16PM6H	
32	56305316	1	RADIATOR	
32	56456431	1	CAP RADIATOR	
33	56305443	1	HOSE	
34	56305502	2	TRIM-SEAL	
35	56418955	2	GASKET	
36	56756364	2	CLAMP HOSE SAE 4 E00047	
37	7-07-02002	1	OVERFLOW BOTTLE ASSY	
38	56009019	2	SCR HEX THD FORM 1/4-20X .38	
39	56111735	1	PLATE SHIELD	
40	56108205	1	HOSE	
41	56009033	1	SCR HEX THD FORM 1/4 20X.50	
42	56496276	1	CLAMP HOSE SUPPORT	
43	56108211	1	CONDUIT BLACK .75	
44	2-00-04603	1	CLAMPDOUBLE 1/2 OD	

# REAR WHEEL SYSTEM

SC8000 1300 LPG NIL

2015.05.19

2015.07.01



# REAR WHEEL SYSTEM

SC8000 1300 LPG NIL

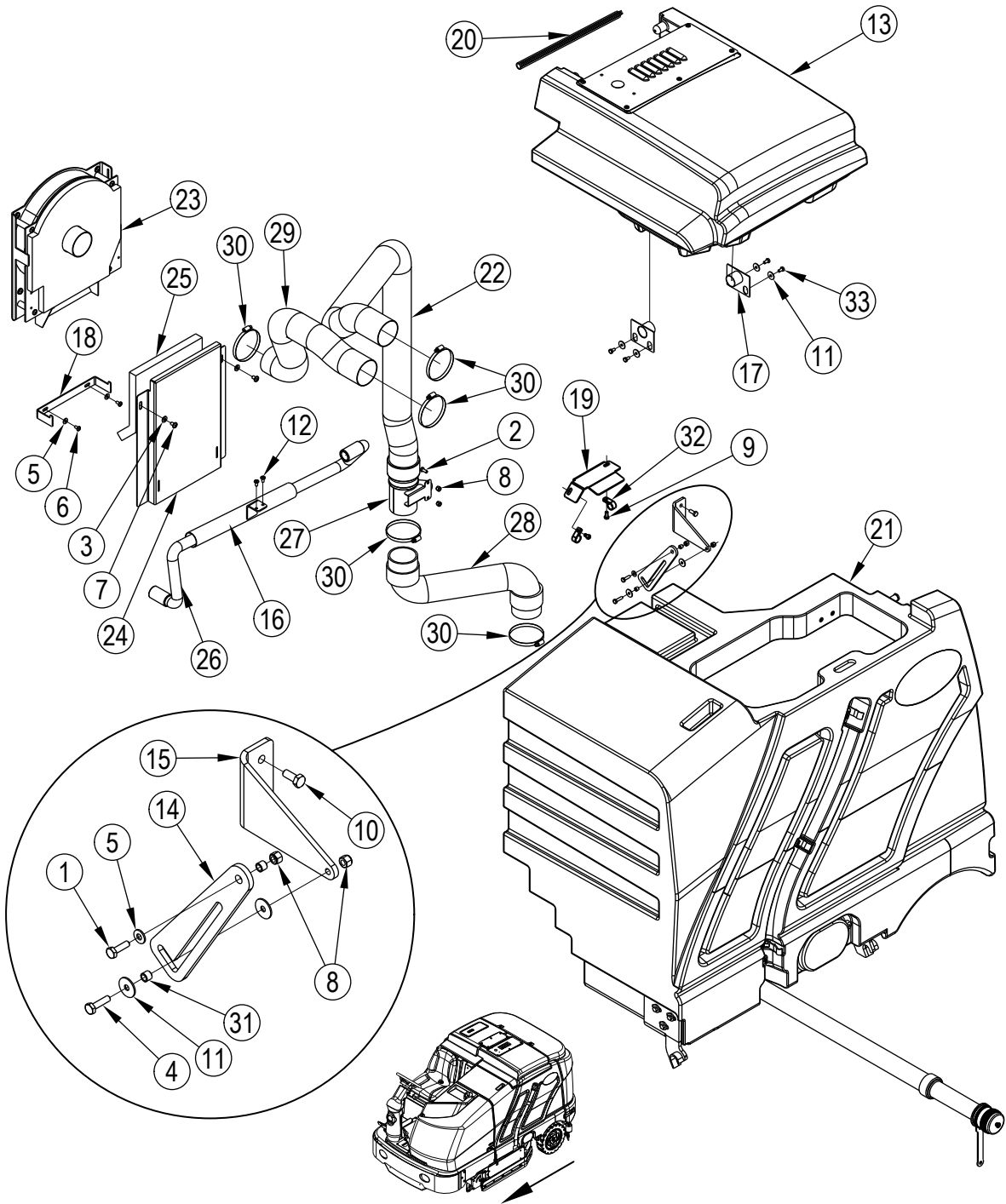
2015.05.19

2015.07.01

Pos.	Product no	QTY	Description	Notes
1	56001879	8	WSH FLT SAE 1/2	
2	56003778	8	SCR HEX LOC 1/2-20 X 1.50 GR 8	
3	56109728	2	ASSEMBLY-SPINDLE-BRAKE	
	56384006	1	BRAKE SPRING KIT	
	56510762	2	BRAKE SHOE KIT	
4	56383402	2	WHEEL-MOLD-ON 16.2X4	[1]
	56509532	1	BEARING-WHEEL	[2]
	56509533	1	RING-SNAP	[3]
	56383550	2	WHEEL-MOLDON-PU 16.2-4	
5	2-00-02436	2	PIN-COTT.188 DIA X 1.75 STL ZN	
6	2-00-05026	2	NUT-HEX-SLOT FIN. ZN	
7	2-00-05239	2	WSHR-FLAT 2.000X1.063X.125 SST	
8	8-11-00030	2	CAP	

## Part Notes:

- [1] - TSB-FC-2013-124 CS7000 and ER1300-1600 Tire Flat Spotting  
 TSBFC 2013-124 CS7000 und ER1300-1600 and SC 8000 Standplatten am Reifen
- [2] - (for 56383402)
- [3] - TSB-FC-2013-124 CS7000 and ER1300-1600 Tire Flat Spotting  
 TSBFC 2013-124 CS7000 und ER1300-1600 and SC 8000 Standplatten am Reifen  
 (for 56383402)



# RECOVERY SYSTEM - 1

SC8000 1300 LPG NIL

2015.05.19

2014.11.13

Pos.	Product no	QTY	Description	Notes
1	56001821	1	SCR HEX 1/4 20 X .88	
2	56001836	2	SCR HEX 1/4 20 X .62	
3	56001939	2	WSH FLT SAE 5/16	
4	56002093	1	SCR HEX 1/4-20 X 1.00	
5	56002098	3	WSH FLT SAE 1/4	
6	56002145	2	SCR PAN PHIL 1/4-20 X .50	
7	56002281	2	SCR PAN PHIL 5/16-18 X .50	
8	56002708	4	NUT HEX NYL LOC 1/4-20	
9	56009018	2	SCR HEX THD FORM 1/4-20X .75	
10	56002956	2	SCR HEX LOC 5/16 18 X .75	
11	56009002	6	WASHER FLAT .266X.906X.060	
12	56009062	2	SCR PAN PHIL THD FORM1/4-20X.5	
13		1	Cover Assembly, Recovery Tank	[1]
14	56110571	1	PROP REC. TANK COVER	
15	56111954	1	BRACKET-PROP	
16	56110667	1	TUBE WELDMENT	
17	56111952	2	HINGE SUPPORT WELDT	
18	56110867	1	BRACKET PANEL MOUNTING	
19	56111953	1	PLATE-TUBE SUPPORT	
20	56110912	1	GASKET	
21	56111078	1	RECOVERY TANK ASSEMBLY	[1]
22	56111089	1	HOSE ASSY CUFFED 3.00	
23	56111549	1	VAC FAN ASSY	[2]
24	56111559	1	PANEL WELDT	
25	56111568	1	SOUND FOAM	
26	56111772	1	HOSE ASSY CUFFED 1.00	
27	56111774	1	TUBE WELDMENT	
28	56305377	1	HOSE ASSEMBLY	
29	56331332	1	HOSE VAC. E00226	
30	56352829	5	CLAMP HOSE SAE 52 E00047	
31	56368989	2	BUSHING .25X.37X.30CV82G	
32	56486112	2	CLAMP P	
33	56003039	4	SCR HEX LOC 1/4-20 X .50	

Part Notes:

- [1] - RECOVERY SYSTEM - 2
- [2] - VAC FAN ASSY



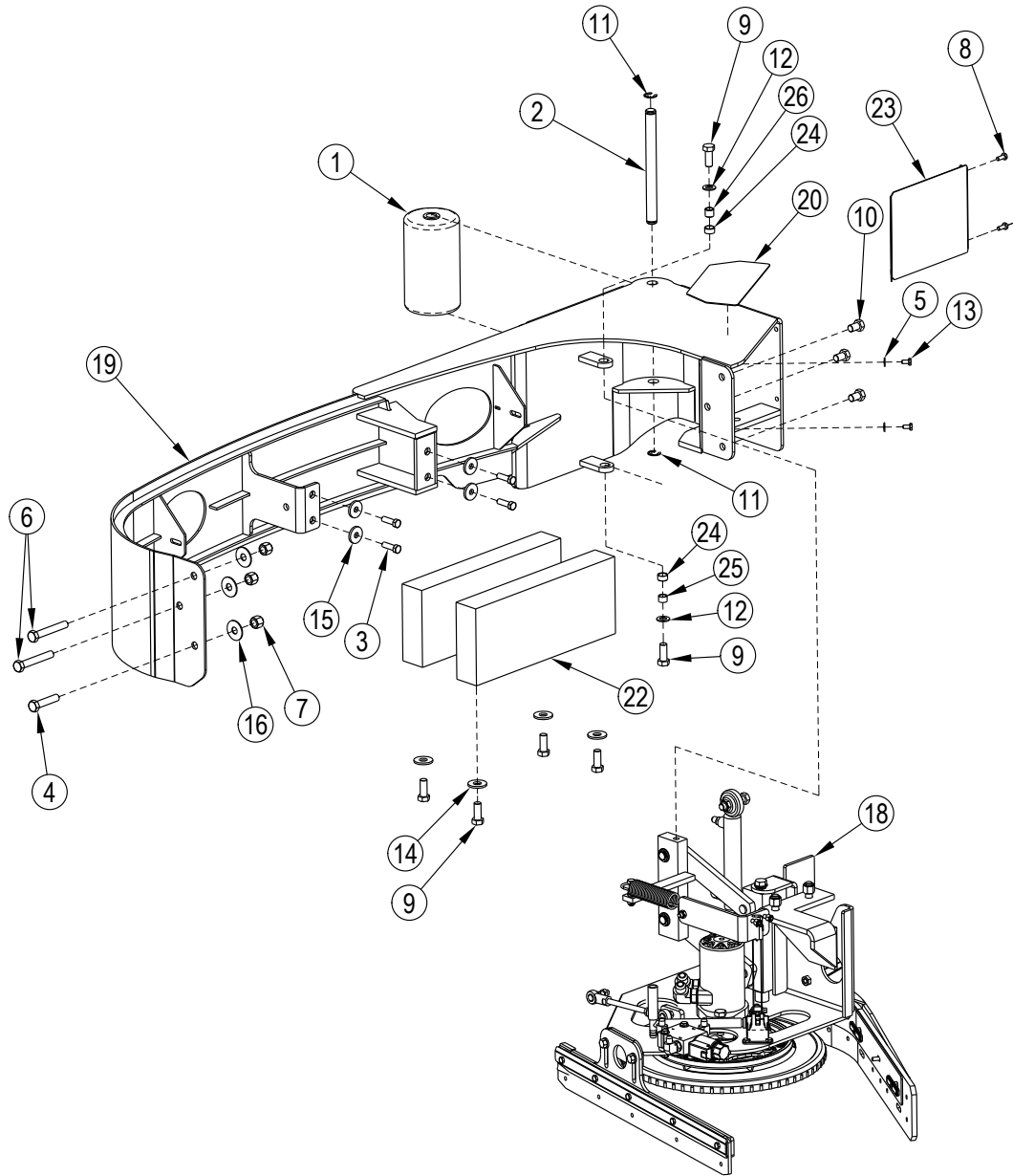
# RECOVERY SYSTEM - 2

SC8000 1300 LPG NIL

2015.05.19

2014.11.13

Pos.	Product no	QTY	Description	Notes
A	56111078	1	RECOVERY TANK ASSEMBLY	
1	56002896	6	SCR PAN PHIL SS 10-24 X .62	
2	56003003	4	SCR PAN PHIL 5/16-18X.62	
3	56003073	10	SCR HEX LOC 5/16-18 X 1.00	
4	56009122	10	WSH FLT .344X.938X.125	
5	56110390	1	TANK RECOVERY	
6	56111903	1	FRONT PIVOT WELDT	
7	56111904	1	REAR PIVOT WELDT	
8	56111905	1	TETHER MOUNT WELDT	
9	56212236	3	CLAMP PLASTIC	
10	56304864	1	PIN SLAM LOCK	
11	56456797	1	CLAMP HOSE	
12	56383259	1	DRAIN HOSE RIBBED	
	56601410	1	DRAIN HOSE EXTENSION	
B		1		
13	56201596	1	STRAIN RELIEF	
14	56003014	2	SCR PAN PHIL SS 5/16-18 X .75	
15	56009069	5	SCR PAN PHIL LOC 1/4-20X.50	
16	56110455	1	COVER RECOVERY TANK	
17	56110560	1	SCREEN RECOVERY TANK	
18	56110562	1	TUBE WELDMENT	
19	56110579	1	PIN FILTER	
20	56110580	1	GASKET	
21	56110581	1	GASKET	
22	56110637	1	COVER	
23	56111444	1	BUTTON PLUG-1.25	
24	56111737	1	SWITCH SHIELD	
25	56003119	2	SCR PAN PHIL SS 1/4 20 X .50	





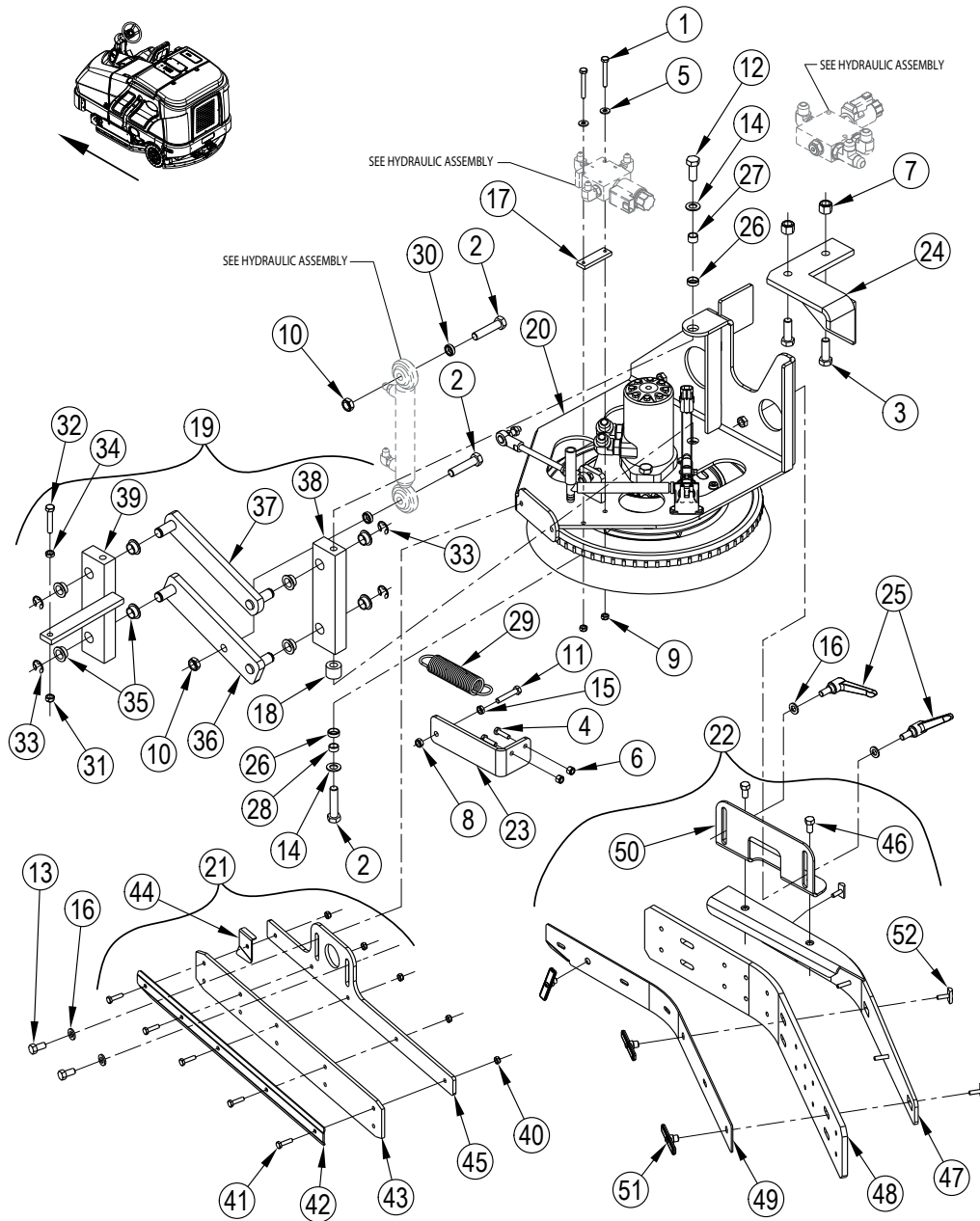
# RIGHT SCRUB SYSTEM - 1

SC8000 1300 LPG NIL

2015.05.19

2013.08.13

Pos.	Product no	QTY	Description	Notes
1	56409335	1	BUMPER ROLLER	
2	56409336	1	PIN	
3	56001858	4	SCR HEX 3/8 16 X 1.25	
4	56001920	1	SCR HEX 1/2 13 X 2.25	
5	56002098	2	WSH FLT SAE 1/4	
6	56002116	2	SCR HEX 1/2-13 X 3.25	
7	56002770	3	NUT HEX NYL LOC 1/2-13	
8	56002922	2	SCR HEX LOC 1/4-20 X .62	
9	56003022	6	SCR HEX LOC 1/2-13 X 1.25	
10	56003032	3	SCR HEX LOC 1/2-13 X .75	
11	56003266	2	RING RET EXT TYPE E	
12	56009017	2	WSH FLT HDN .516X.938X.075	
13	56009033	2	SCR HEX THD FORM 1/4 20X.50	
14	56009115	4	WSH FLT HDN .594X1.375X.134	
15	56009195	4	WSH FLT .406X 1.250X .164	
16	56009216	3	WSH FLT .531 X 1.500 X .075	
	56110547	1	HARNES SIDE SCRUB	
18		1	Right Scrub Assy	
19	56111950	1	BUMPER WELDMENT	
20	56111251	1	MAT STEP	
		1	Right Scrub Hyd	
22	56111487	2	WEIGHT	
23	56111951	1	COVER-RIGHT SCRUB	
24	56305553	2	BEARING .719 X .625 X .375	
25	56360627	1	BUSHING .50X.62X.41CT32G	
26	56367206	1	BUSHING CV32G	



# RIGHT SCRUB SYSTEM - 2

SC8000 1300 LPG NIL

2015.05.19

2013.08.13

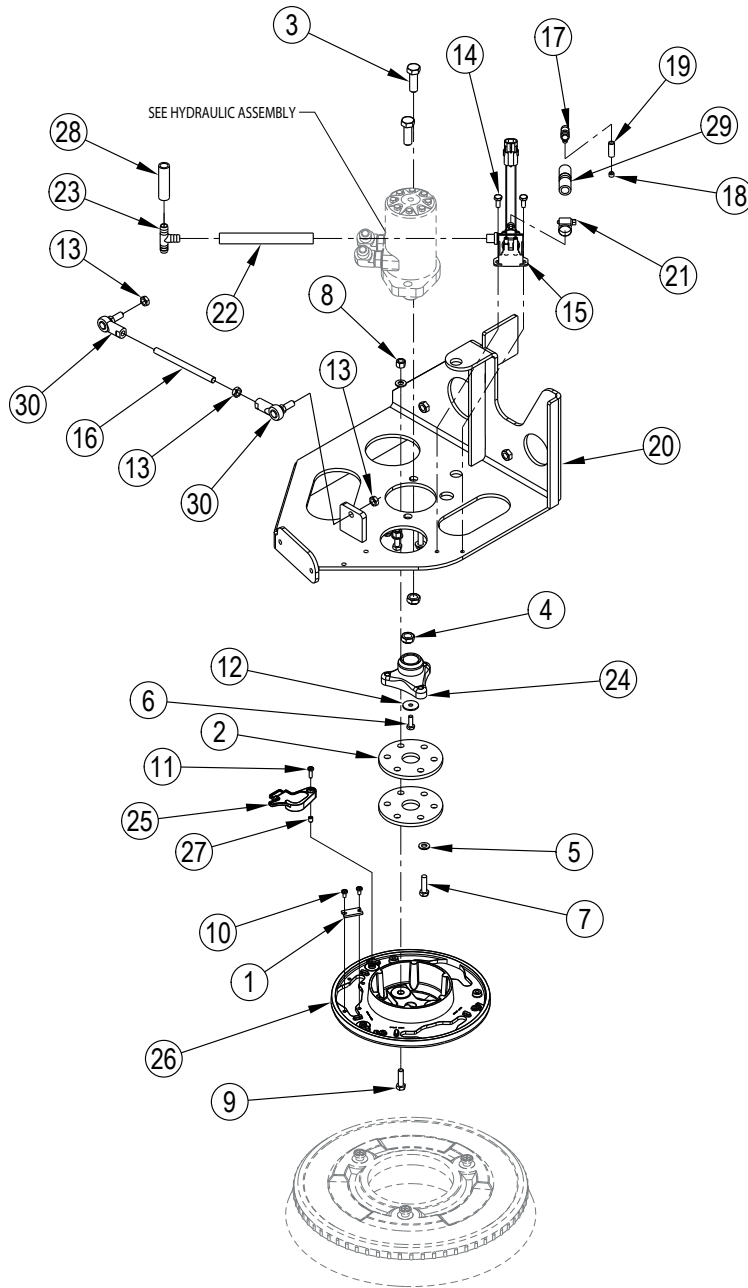
Pos.	Product no	QTY	Description	Notes
1	56003480	2	SCR-HEX SS 1/4-20 X 2.00	
2	56001920	3	SCR HEX 1/2 13 X 2.25	
3	56001968	2	SCR HEX 1/2 13 X 1.50	
4	56002883	2	SCR HEX SS 1/4-20 X 1.00	
5	56002914	2	WSH FLT STD SS 1/4	
6	56002491	2	NUT HEX NYL LOC SS 1/4-20	
7	56002770	2	NUT HEX NYL LOC 1/2-13	
8	56002851	1	NUT HEX NYL LOC-THIN SS5/16-18	
9	56002850	2	NUT HEX NYL LOC-THIN SS 1/4-20	
10	56002843	2	NUT HEX NYL LOC-THIN 1/2-13	
11	56003333	1	SCR HEX SS 5/16-18X1.75	
12	56003022	1	SCR HEX LOC 1/2-13 X 1.25	
13	56003079	2	SCR HEX LOC 3/8-16 X .75	
14	56009017	2	WSH FLT HDN .516X.938X.075	
15	56009141	1	NUT HEX JAM SS 5/16 18	
16	56009214	4	WSH FLT .406X.750X.090	
17	56110651	1	NUT PLATE	
18	56111160	1	SPACER	
19	56111202	1	BRUSH ARM ASSY	
20	56111253	1	BRUSH ASSY	
21	56111525	1	SKIRT ASSEMBLY	
22	56111819	1	RT SCRUB SKIRT ASSY	
23	56111910	1	BRACKET-SPRING	
24	56111911	1	STOP WELDMENT	
25	56111869	2	HANDLE-LOCKING	
26	56304893	2	BEARING SLEEVE .625X.750X..25	
27	56360627	1	BUSHING .50X.62X.41CT32G	
28	56365030	1	BUSHING CA334D	
29	56412216	1	SPRING EXTENSION	
30	56481456	2	BUSHING .50X.75X.25	
31	56002826	1	NUT HEX NYL LOC-THIN 5/16-18	
32	56003005	1	SCR HEX 5/16-18 X 1.75	
33	56003265	4	RING RET EXT TYPE E	
34	56009086	1	NUT HEX JAM 5/16 18	
35	56110338	8	BEARING FLANGE .625	
36	56111147	1	ARM WELDT-LOWER	
37	56111148	1	ARM WELDT-UPPER	
38	56111825	1	PIVOT-SIDE BRUSH	
39	56111841	1	PIVOT WELDMENT	
40	56002850	5	NUT HEX NYL LOC-THIN SS 1/4-20	
41	56002883	5	SCR HEX SS 1/4-20 X 1.00	
42	56111491	1	STRAP SKIRT	
43	56111635	1	BLADE KIT-RT SCRUB-RED GUM	[1]
43	56111636	1	BLADE KIT-RT SCRUB-GUM	[1]
43	56111637	1	BLADE KIT OPT SCRUB PU	[1]
44	56111547	1	TAB	
45	56111909	1	BRACKET-SKIRT	
46	56003079	2	SCR HEX LOC 3/8-16 X .75	
47	56111908	1	SKIRT MOUNT WELDT	
48	56111635	1	BLADE KIT-RT SCRUB-RED GUM	[1]
48	56111636	1	BLADE KIT-RT SCRUB-GUM	[1]
48	56111637	1	BLADE KIT OPT SCRUB PU	[1]
49	56111824	1	STRAP-SKIRT	
50	56111907	1	BRACKET-SKIRT	
51	56413717	3	THUMB NUT	
52	56413850	3	SKIRT RETAINER ASSEMBLY	

Part Notes:

- [1] - Blade kits include 2 blades, one of each of the blades needed for the right scrub assembly.

---

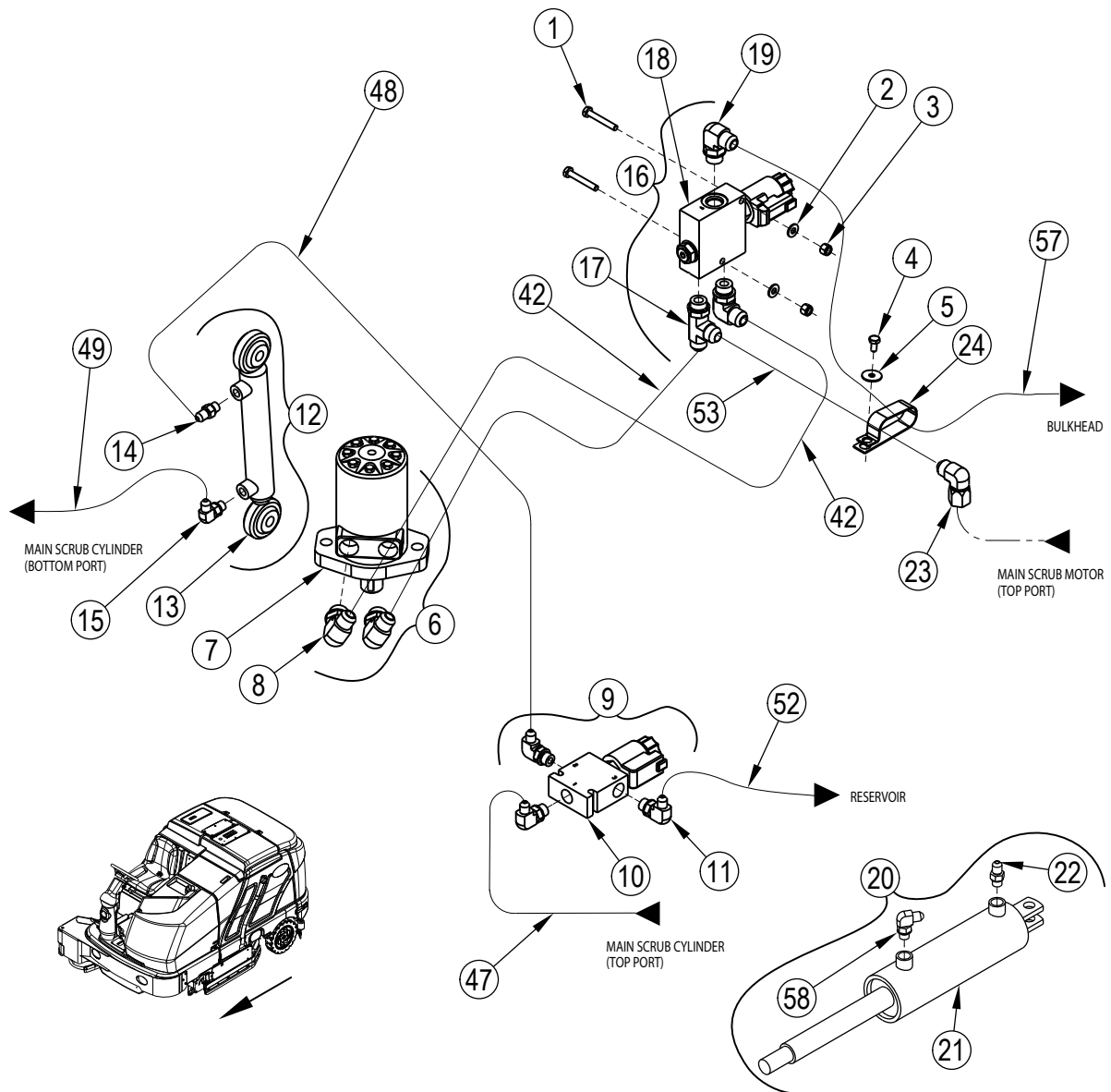
**Comments:**



Pos.	Product no	QTY	Description	Notes
	56111253	1	BRUSH ASSY	[1]
1	56366455	1	PLATE CV24B	
2	56383238	2	BRUSH DRIVE DISC	
3	56001968	2	SCR HEX 1/2 13 X 1.50	
4	56002843	2	NUT HEX NYL LOC-THIN 1/2-13	
5	56002938	6	WSH FLT SAE SS 5/16	
6	56003221	1	SCR HEX LOC SS 1/4 20 X .75	
7	56003278	3	SCR HEX LOC SS M8 1.25 X 30MM	
8	56003405	3	NUT HEX NYL LOC SS M8X1.25	
9	56003639	3	SCR HEX SS M8 1.25 X 30MM	
10	56009030	2	SCR PAN PHIL THD FOM 10-24X.38	
11	56009042	1	SCR PANPHIL THD FORM 10-24X.62	
12	56009060	1	WSH FLT SS .260X1.000X.074	
13	56009103	3	NUT HEX JAM 3/8 24	
14	56009250	2	SCR HEX THD FORM 1/4-20X.62	
15	56110464	1	SOLENOID VALVE ASSY	
16	56111814	1	ROD	
17	56111842	1	ELBOW-BARBED .500 X .312	
18	56111843	1	ORIFICE PLUG	
19	56111844	1	HOSE .250 X .375 X 1.00	
20	56111906	1	MOTOR BRACKET WELDT	
21	56219932	1	CLAMP HOSE SAE 6 E00047	
22	56244967	1	HOSE .50 X 65.00 E00199	
23	56262549	1	TEE E00455	
24	56304077	1	HUB DRIVE	
25	56305515	1	BRUSH LOCK LEFT	
26	56314030	1	BRUSH HOLDER	
27	56369004	1	BUSHING CV82J	
28	56392347	1	TUBE PVC.500X 2.50 E00199	
29	56397209	1	HOSE PVC .500X4.0 E00199	
30	56397385	2	BALL JOINT	

## Part Notes:

[1] - (items 1-30)





# RIGHT SCRUB SYSTEM HYDRAULICS

SC8000 1300 LPG NIL

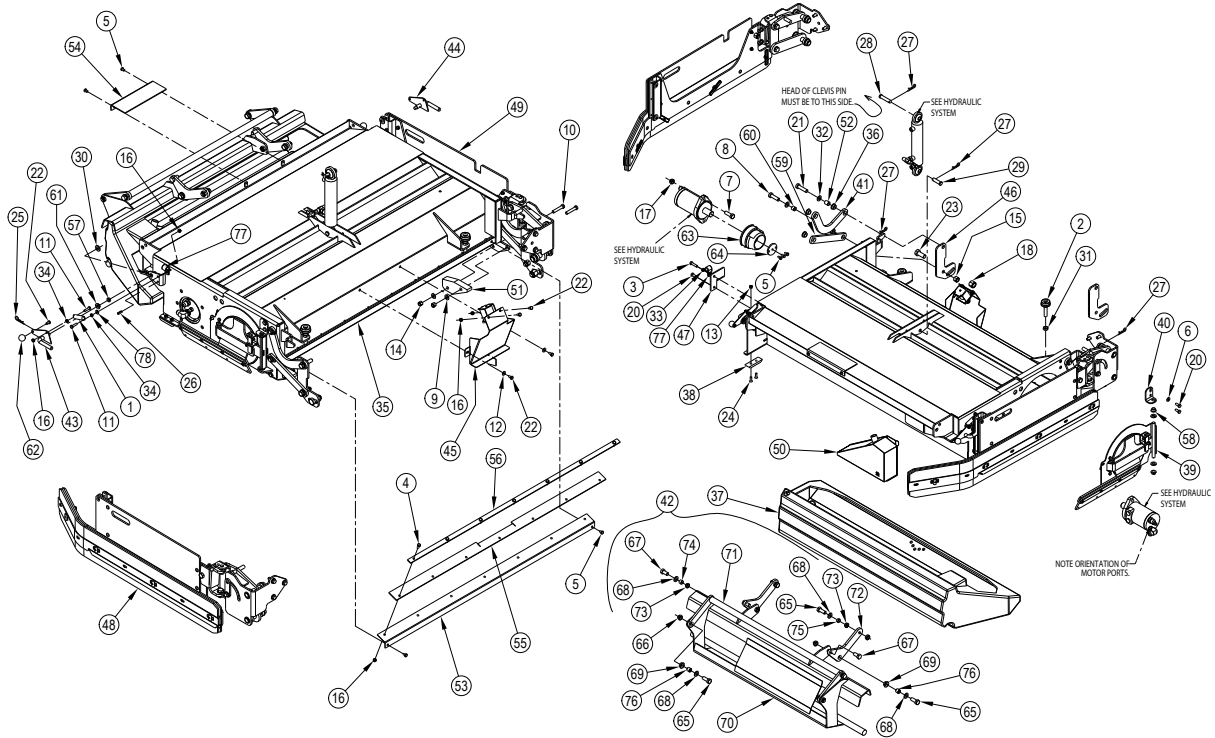
2015.05.19

2013.08.13

Pos.	Product no	QTY	Description	Notes
		1	Right Scrub Hd Assy	[1]
1	56001967	2	SCR HEX 1/4 20 X 1.75	
2	56002098	2	WSH FLT SAE 1/4	
3	56002708	2	NUT HEX NYL LOC 1/4-20	
4	56003039	1	SCR HEX LOC 1/4-20 X .50	
5	56009002	1	WASHER FLAT .266X.906X.060	
6		1	Hydraulic Motor Assy	[2]
7	56111526	1	MOTOR HYDRAULIC 11.3 CIR	
	56479577	1	SEAL KIT	
	56307149	1	VITON SEAL KIT	
8	56900114	2	ELBOW 90 O/R -8-10 E00003	
9		1	Solenoid Valve Assy	[3]
10	56110404	1	VALVE SOLENOID	
	56305351	1	CARTRIDGE	
	56110712	1	COIL REPLACEMENT	
	56305349	1	SEAL KIT	
11	56900110	3	ELBOW 90DEG O/R 4 6 E00003	
12		1	Opt Scrub Cyl Assy	[4]
13	56111885	1	CYLINDER-HYDRAULIC	
	56111886	1	SEAL KIT	
14	56900001	1	CONNECTOR O RING 4 E00001	
15	56900101	1	ELBOW 90 DEG.O/R -4 E00003	
16		1	Valve Assembly, Solenoid	[5]
17	56900204	1	TEE RUN O/R -8 E00005	
18	56110711	1	SOLENOID VALVE MOTOR	
	56507686	1	CARTRIDGE	
	56110715	1	COIL REPLACEMENT	
	56305370	1	CHECK VALVE CARTRIDGE	
	56305354	1	SEAL KIT	
	56111201	1	SEAL KIT	
19	56900104	2	ELBOW 90 DEG.O/R -8 E00003	
20	56111587	1	CYLINDER ASSEMBLY STEER	[6]
21	56111593	1	CYLINDER HYDRAULIC 2.00 X 5.00	
	56488723	1	SEAL KIT	
22	56900001	1	CONNECTOR O RING 4 E00001	
58	56900101	1	ELBOW 90 DEG.O/R -4 E00003	
23	56900304	1	ELBOW 90D W/NUT -8 E00007	
24	2-00-05253	1	CLAMP	
42	56110777	2	HOSE ASSY	
47	56110782	1	HOSE ASSY	
48	56110783	1	HOSE ASSY	
49	56110784	1	HOSE ASSY	
52	56110787	1	HOSE ASSY	
53	56110792	1	HOSE ASSY	
57	56110796	1	HOSE ASSY	

**Part Notes:**

- [1] - items 1-24, 42, 47-49, 52, 53, 57, 58
- [2] - (items 7-8)
- [3] - (items 10-11)
- [4] - (items 13-15)
- [5] - (17-19)
- [6] - (items 21-22, 58)



Pos.	Product no	QTY	Description	Notes
1	56365068	2	SPRING EXT .62X2.50CA333G	
2	56449221	2	BUMPER 1.43 DIA. CV660N	
3	56002884	1	SCR HEX SS 5/16-18 X 1.25	
4	56003047	7	SCR HEX SS 1/4-20 X .62	
5	56002801	10	SCR HEX SS 1/4-20 X .50	
6	56002938	1	WSH FLT SAE SS 5/16	
7	56003495	4	SCR HEX S.S. 1/2 13 X 1.5	
8	56002888	2	SCR HEX HD SS 1/2-13X1 75	
9	56002910	4	WSH FLT SAE SS 3/8	
10	56002800	4	SCR HEX SS 3/8-16 X 2.00	
11	56002883	3	SCR HEX SS 1/4-20 X 1.00	
12	56002859	2	WSH FLT SAE SS 1/4	
13	56002491	4	NUT HEX NYL LOC SS 1/4-20	
14	56003219	4	NUT HEX NYL LOC SS 3/8 16	
15	56002846	2	NUT HEX NYL LOC SS 1/2-13	
16	56002850	12	NUT HEX NYL LOC-THIN SS 1/4-20	
17	56002854	4	NUT HEX NYL LOC-THIN SS 1/2-13	
18	56003924	2	NUT-HEX NYL LOC SS 5/8-18	
20	56003925	3	SCR-HEX LOC SS 5/16-18 X .75	
21	56003926	2	SCR-HEX SS 1/2-13 X 2.00	
22	56002935	6	SCR HEX LOC SS 1/4-20 X .5	
23	56003045	2	SCR HEX SS 5/8-18 X 1.50	[1]
24	56003086	4	SCR FLT PHIL SS 1/4-20X .88	
25	56003120	2	PIN COT HAIR.093XDIA .25 .50	
26	56003138	2	PIN SPR .25 X .75	
27	56003222	6	PIN COT HAIR .125 X DIA.50/.75	
28	56003620	1	PIN CLEVIS .500 X 2.25	
29	56003728	1	PIN CLEVIS .500 X 1.75	
30	56009003	2	WSH FLT .516X.938X.075	
31	56003927	2	NUT-HEX JAM SS 1/2-13	
32	56009017	8	WSH FLT HDN .516X.938X.075	
33	56009141	1	NUT HEX JAM SS 5/16 18	
34	56003145	3	NUT HEX JAM SS 1/4 20	
35	56111933	1	BRUSH HOUSING WELDT	
36	56110338	8	BEARING FLANGE .625	
37	56110349	1	HOPPER	
38	56110514	2	SKID	
39	56110752	2	IDLER ASSEMBLY	
40	56110757	1	HINGE TOP	
41	56111926	2	ARM-BRUSH HSG	
42	56110952	1	TRAY HANGER ASSY	
43	56110971	1	LATCH WELDMENT	
44	56111108	1	LATCH WELDT-LT	
45	56111927	1	DIVERTER WELDT	
46	56111928	2	BRACKET-BRUSH HSG	
47	56111666	1	HINGE LEFT	
48	56111738	1	RIGHT SKIRT ASSY	
49	56111740	1	LEFT SKIRT ASSY	
50	56111751	1	SCREEN WELDMENT	
51	56111759	2	SKID	
52	56111784	2	BUSHING .515 X .625 X .725	
53	56111929	1	SHIELD-TROUGH	
54	56111930	1	PLATE	
55	56111790	1	BLADE MUD SHIELD	
56	56111932	1	STRAP	
57	56303285	2	BEARING FL .500X.375X.250	
58	56304519	4	BEARING FLANGE	
59	56111931	2	ARM-PARALLEL 7.5IN	
60	56367206	2	BUSHING CV32G	

Pos.	Product no	QTY	Description	Notes
61	56413211	2	BEARING FLANGE .625X.500X.250	
62	56440817	2	KNOB 1.00X1/4-20 CV429C	
63	8-33-09046-1	2	HUB	
64	8-58-05160	2	PLATE-LOCKING DRIVER BROOM	
65	56002904	6	SCR HEX SS 1/2-13 X 1.25	
66	56002854	6	NUT HEX NYL LOC-THIN SS 1/2-13	
67	56002887	4	SCR HEX SS 1/2-13 X 1.00	
68	56009017	8	WSH FLT HDN .516X.938X.075	
69	56110338	4	BEARING FLANGE .625	
70	56111917	1	TRAY HANGER WELDT	
71	56111918	1	TRAY HANGER WELDT	
72	56111919	2	LEVER	
73	56304893	4	BEARING SLEEVE .625X.750X..25	
74	56360627	2	BUSHING .50X.62X.41CT32G	
75	56365030	2	BUSHING CA334D	
76	56367206	4	BUSHING CV32G	
77	56419120	2	CLAMP,HOSE SUPPORT	
78	2-00-03702	1	WSHR-FL..625X.281X.063 STL.ZN	

Part Notes:

[1] - EXPIRED 11/11/11



**Comments:**

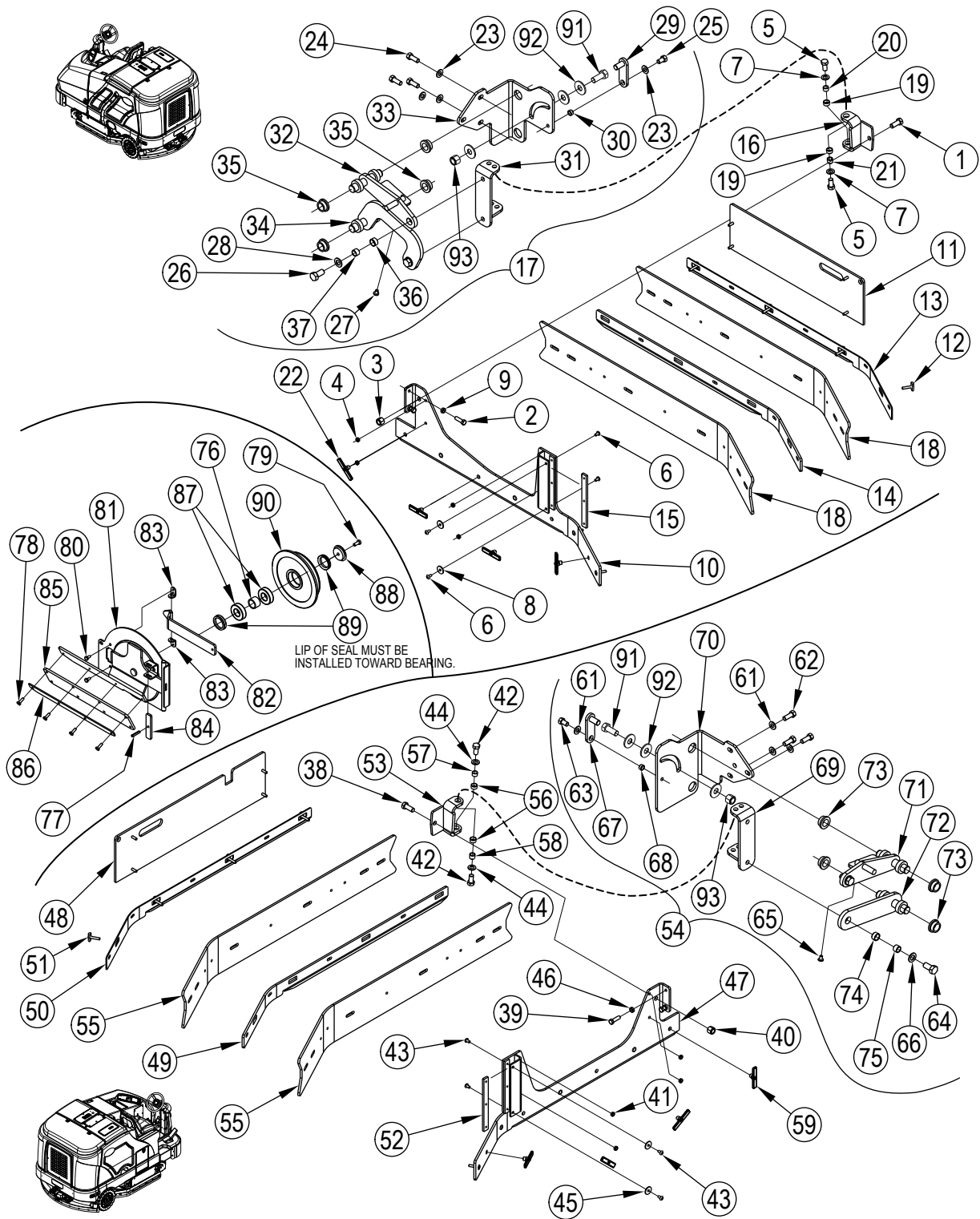


# SCRUB SYSTEM - SIDE SKIRT ASSEMBLIES

SC8000 1300 LPG NIL

2015.05.19

2014.07.18



# SCRUB SYSTEM - SIDE SKIRT ASSEMBLIES

SC8000 1300 LPG NIL

2015.05.19

2014.07.18

Pos.	Product no	QTY	Description	Notes
	56111738	1	RIGHT SKIRT ASSY	[1]
1	56002904	1	SCR HEX SS 1/2-13 X 1.25	
2	56002881	2	SCR HEX SS 3/8-16 X 1.25	[2]
3	56002846	1	NUT HEX NYL LOC SS 1/2-13	
4	56002840	4	NUT HEX NYL LOC-THIN 1/4-20	
5	56003835	2	SCR-HEX LOC SS 1/2-13 X 1.0	
6	56003790	4	SCR PAN PHI SS TA 1/4-10 X .50	
7	56009017	2	WSH FLT HDN .516X.938X.075	
8	56009060	2	WSH FLT SS .260X1.000X.074	
9	56003015	2	NUT HEX JAM SS 3/8-16	
10	56111920	1	SKIRT WELDT-RT	
11	56111921	1	COVER-RIGHT SKIRT	
12	56111433	4	SKIRT RETAINER ASSY	
13	56111453	1	STRAP SKIRT-RT	
14	56111922	1	STRAP-SKIRT RT	
15	56111599	2	SLIDE	
16	56111647	1	RIGHT HINGE WELDT	
17	56111739	1	SKIRT ARM ASSY-RT	[3]
18	56111206	1	BLADE KIT MAIN SCRUB-RED GUM	
	56111207	1	BLADE KIT MAIN SCRUB-GUM RUB	[4]
	56111210	1	BLADE KIT MAIN SCRUB-POLYURETH	[4]
19	56305553	2	BEARING .719 X .625 X .375	
20	56360627	1	BUSHING .50X.62X.41CT32G	
21	56367206	1	BUSHING CV32G	
22	56413717	4	THUMB NUT	
23	56002910	4	WSH FLT SAE SS 3/8	
24	56002914	3	WSH FLT STD SS 1/4	
25	56003952	1	SCR-HEX LOC SS 3/8-16 X .62	
26	56003835	2	SCR-HEX LOC SS 1/2-13 X 1.0	
27	56003603	1	SCR PAN PHILTHDFORM 1/4-20X.38	
28	56009017	2	WSH FLT HDN .516X.938X.075	
29	56110942	1	PROP WELDT	
30	56110945	1	BUSHING .385X.500X.270	
31	56111644	1	HINGE WELDT	
32	56111744	1	UPPER RT ARM WELDT	
33	56111913	1	BRACKET-SKIRT RT	
34	56111828	1	LOWER ARM WELDT	
35	56303024	4	BEARING FL 1.00X.750X.500	
36	56305553	2	BEARING .719 X .625 X .375	
37	56360627	2	BUSHING .50X.62X.41CT32G	
	56111740	1	LEFT SKIRT ASSY	
38	56002904	1	SCR HEX SS 1/2-13 X 1.25	
39	56002881	2	SCR HEX SS 3/8-16 X 1.25	[2]
40	56002846	1	NUT HEX NYL LOC SS 1/2-13	
41	56002840	4	NUT HEX NYL LOC-THIN 1/4-20	
42	56003835	2	SCR-HEX LOC SS 1/2-13 X 1.0	
43	56003790	4	SCR PAN PHI SS TA 1/4-10 X .50	
44	56009017	2	WSH FLT HDN .516X.938X.075	
45	56009060	2	WSH FLT SS .260X1.000X.074	
46	56003015	2	NUT HEX JAM SS 3/8-16	
47	56111923	1	SKIRT WELDT-LT	
48	56111924	1	COVER-LEFT SKIRT	
49	56111925	1	STRAP-SKIRT LT	
50	56111431	1	STRAP SKIRT-LT	
51	56111433	4	SKIRT RETAINER ASSY	
52	56111599	2	SLIDE	
53	56111648	1	LEFT HINGE WELDT	
54	56111741	1	SKIRT ARM ASSY-LT	[5]
55	56111206	1	BLADE KIT MAIN SCRUB-RED GUM	

# SCRUB SYSTEM - SIDE SKIRT ASSEMBLIES

SC8000 1300 LPG NIL

2015.05.19

2014.07.18

Pos.	Product no	QTY	Description	Notes
	56111207	1	BLADE KIT MAIN SCRUB-GUM RUB	
	56111210	1	BLADE KIT MAIN SCRUB-POLYURETH	
56	56305553	2	BEARING .719 X .625 X .375	
57	56360627	1	BUSHING .50X.62X.41CT32G	
58	56367206	1	BUSHING CV32G	
59	56413717	4	THUMB NUT	
61	56002910	4	WSH FLT SAE SS 3/8	
62	56003914	3	SCR-HEX LOC SS 3/8-16 X 1.00	
63	56003952	1	SCR-HEX LOC SS 3/8-16 X .62	
64	56003835	2	SCR-HEX LOC SS 1/2-13 X 1.0	
65	56003603	1	SCR PAN PHILTHDFORM 1/4-20X.38	
66	56009017	2	WSH FLT HDN .516X.938X.075	
67	56110942	1	PROP WELDT	
68	56110945	1	BUSHING .385X.500X.270	
69	56111644	1	HINGE WELDT	
70	56111912	1	BRACKET SKIRT-LT	
71	56111745	1	UPPER LT ARM WELDT	
72	56111747	1	LOWER ARM WELDT	
73	56303024	4	BEARING FL 1.00X.750X.500	
74	56305553	2	BEARING .719 X .625 X .375	
75	56360627	2	BUSHING .50X.62X.41CT32G	
	56110752	1	IDLER ASSEMBLY	[6]
76	56479434	1	BUSHING 1.0X1.2X.78RE470AJ	
77	56002056	1	PIN SPR .25 X 1.25	
78	56002807	4	SCR HEX SS 1/4-20 X .75	
79	56002956	1	SCR HEX LOC 5/16 18 X .75	
80	56009033	2	SCR HEX THD FORM 1/4 20X.50	
81	56111916	1	BRUSH IDLER WELDT	
82	56110799	1	LEVER WELDMENT	
83	56110803	2	HINGE	
84	56110804	1	LATCH	
85	56111206	1	BLADE KIT MAIN SCRUB-RED GUM	
	56111207	1	BLADE KIT MAIN SCRUB-GUM RUB	
86	56111914	1	STRAP-INNER BLADE	
87	56111531	2	BEARING BALL	
88	56111792	1	WASHER STEP	
89	56111793	2	SEAL BEARING	
90	56111915	1	HUB-IDLER	
91	56002904	1	SCR HEX SS 1/2-13 X 1.25	[7]
92	56002892	3	WSH FLT STD SS 1/2	[8]
93	56002846	1	NUT HEX NYL LOC SS 1/2-13	[7]

**Part Notes:**

- [1] - (items 1-22)
- [2] - EXPIRED ON 11/10/11
- [3] - (items 23-37, 91-93)
- [4] - Side Skirt Blade Kits include 4 side skirt blades (2 for each side skirt) plus 2 splash shield blades (1 for each end of the scrub deck).
- [5] - (items 61-75, 91-93)
- [6] - (items 76-90)
- [7] - Quantities are per skirt arm assembly.
- [8] - EXPIRED 20.03.12

Quantities are per skirt arm assembly.



---

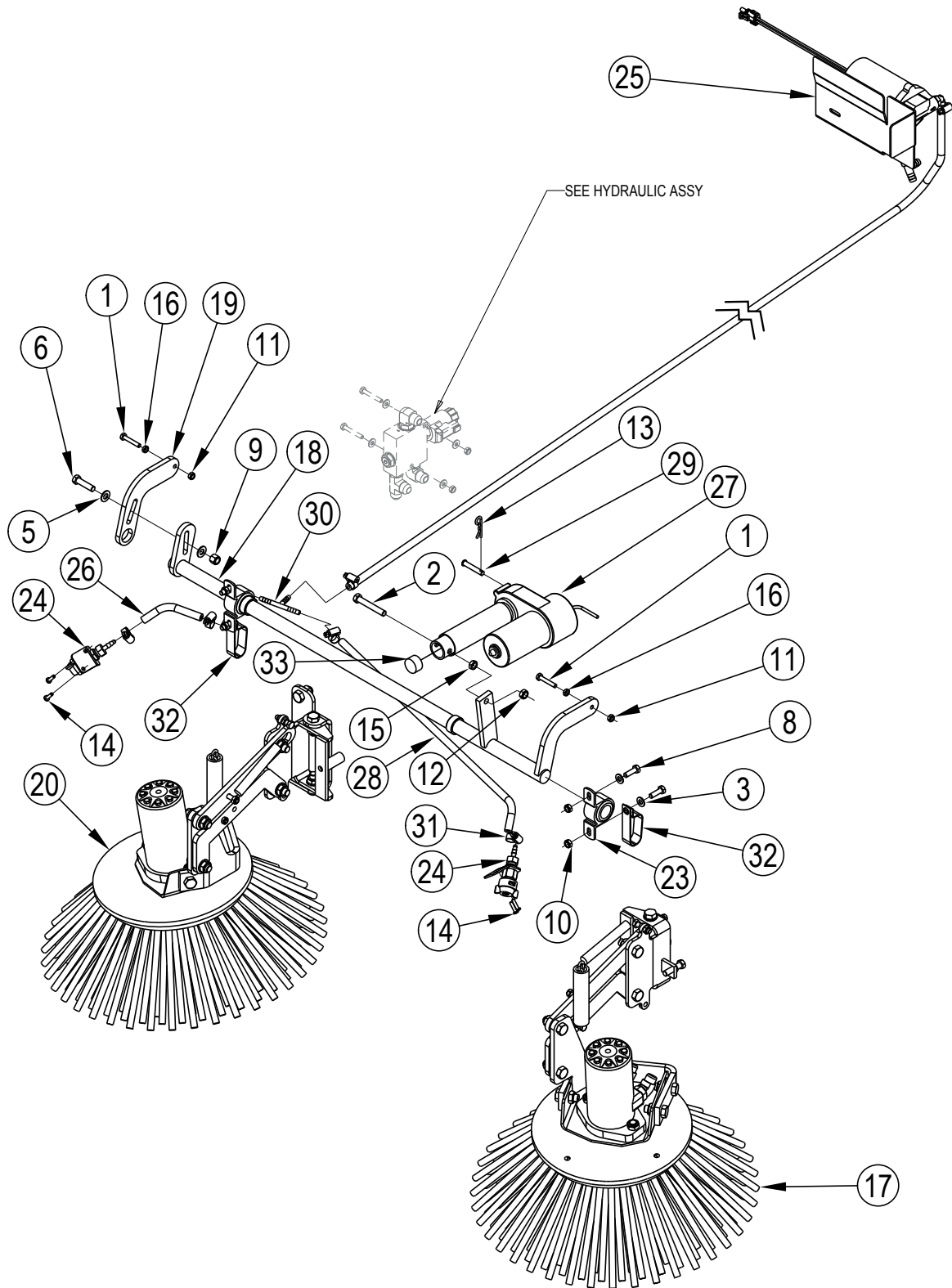
**Comments:**

# SIDE BROOM SYSTEM - DUAL

SC8000 1300 LPG NIL

2015.05.19

2013.08.13



# SIDE BROOM SYSTEM - DUAL

SC8000 1300 LPG NIL

2015.05.19

2013.08.13

Pos.	Product no	QTY	Description	Notes
1	56001833	2	SCR HEX 1/4 20 X 1.50	
2	56001873	1	SCR HEX 3/8-16 X 2.50	
3	56001939	4	WSH FLT SAE 5/16	
5	56002063	2	WSH FLT SAE 3/8	
6	56002095	1	SCR HEX 3/8-16 X 1.50	
8	56002221	4	SCR HEX 5/16-18 X 1.00	
9	56002769	1	NUT HEX NYL LOC 3/8-16	
10	56002826	4	NUT HEX NYL LOC-THIN 5/16-18	
12	56002841	1	NUT HEX NYL LOC-THIN 3/8-16	
13	56003222	1	PIN COT HAIR .125 X DIA.50/.75	
14	56009005	4	SCR PANPHILS TYPE AB 10-16X.75	
15	56009085	1	NUT HEX JAM 3/8 16	
16	56009087	2	NUT HEX JAM 1/4 20	
17	56110278	1	SIDE BROOM ASSY-LT	[1]
18	56111958	1	SIDE BROOM LIFT WELDT	
19	56111959	1	LEVER	
20	56110288	1	SIDE BROOM ASSY-RT	[1]
	56110547	1	HARNES SIDE SCRUB	
		1	Dual Side Broom Hyd Assy	
23	56111199	2	BEARING-PILLOW BLOCK	
24	56111261	2	NOZZLE ASSY	[2]
25		1	Pump Assembly	
26	56264260	1	5.00 HOSE	
27	56305008	1	ACTUATOR MOTOR	
28	56317122	1	HOSE .25X25.0 E00160	
29	56321404	1	PIN .312X1.780 HC38DB	
30	56508441	1	TEE 1/4 HOSE BARB	
31	56756364	4	CLAMP HOSE SAE 4 E00047	
32	2-00-05253	2	CLAMP	
33	56305798	1	FOAM SEAL	

Part Notes:

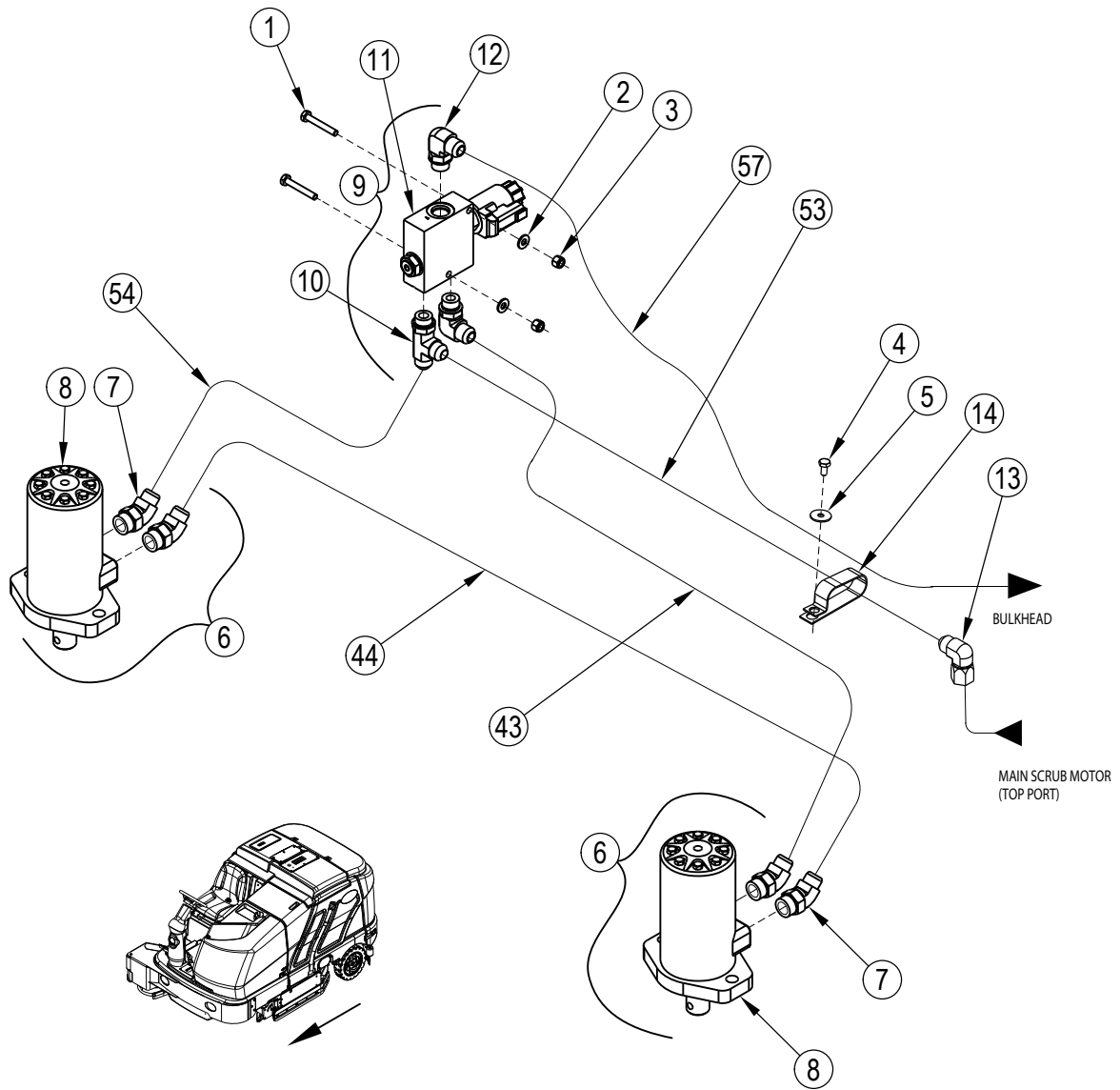
- [1] - (items 1-10)
- [2] - (items 15-20)

# SIDE BROOM HYDRAULIC ASSY - DUAL

SC8000 1300 LPG NIL

2015.05.19

2013.08.13



# SIDE BROOM HYDRAULIC ASSY - DUAL

SC8000 1300 LPG NIL

2015.05.19

2013.08.13

Pos.	Product no	QTY	Description	Notes
		1	Dual Side Broom Hyd Assy (items 1-14, 43, 44, 53, 54 & 57)	
1	56001967	2	SCR HEX 1/4 20 X 1.75	
2	56002098	2	WSH FLT SAE 1/4	
3	56002840	2	NUT HEX NYL LOC-THIN 1/4-20	
4	56003039	1	SCR HEX LOC 1/4-20 X .50	
5	56009002	1	WASHER FLAT .266X.906X.060	
6		2	Hydraulic Motor Assy (items 7-8)	
7	56900164	4	ELBOW 45D O/R 8 10 E00004	
8	56110411	2	MOTOR HYDRAULIC 17.9 CIR	
	56479577	1	SEAL KIT	
	56307149	1	VITON SEAL KIT	
9		1	Valve Assembly, Solenoid (10-12)	
10	56900204	1	TEE RUN O/R -8 E00005	
11	56110711	1	SOLENOID VALVE MOTOR	
	56507686	1	CARTRIDGE	
	56110715	1	COIL REPLACEMENT	
	56305370	1	CHECK VALVE CARTRIDGE	
	56305354	1	SEAL KIT	
	56111201	1	SEAL KIT	
12	56900104	2	ELBOW 90 DEG.O/R -8 E00003	
13	56900304	1	ELBOW 90D W/NUT -8 E00007	
14	2-00-05253	1	CLAMP	
43	56110778	1	HOSE ASSY	
44	56110779	1	HOSE ASSY	
53	56110792	1	HOSE ASSY	
54	56110793	1	HOSE ASSY	
57	56110796	1	HOSE ASSY	



# SIDE BROOM SUB ASSY - LEFT

SC8000 1300 LPG NIL

2015.05.19

2013.08.13

Pos.	Product no	QTY	Description	Notes
	56110278	1	SIDE BROOM ASSY-LT	[1]
1	56001831	5	SCR HEX 1/2 13 X 1.25	
2	56001879	1	WSH FLT SAE 1/2	
3	56002843	5	NUT HEX NYL LOC-THIN 1/2-13	
4	56003494	1	PIN SPRING 5/16 X 1.38	
5	56477812	1	BROOM SIDE H. DUTY	
6	56111966	1	LEFT SIDE BROOM BRKT WELDT	
8	56305723	1	LEFT SIDE BROOM HUB ASSY	
9	56305725	1	LEFT THUMB NUT WELDMENT	
10	56110279	1	ARM ASSEMBLY-LT	[2]
11	56407335	1	CHAIN ASSEMBLY	
12	56761327	1	SPRING COMP.73X1.75 E00453	
13	56001834	1	SCR HEX 5/16 18 X 1.25	
14	56001878	1	SCR HEX 1/4 20 X 1.25	
15	56001879	1	WSH FLT SAE 1/2	
16	56001968	4	SCR HEX 1/2 13 X 1.50	
18	56002826	2	NUT HEX NYL LOC-THIN 5/16-18	
19	56002840	1	NUT HEX NYL LOC-THIN 1/4-20	
20	56002843	4	NUT HEX NYL LOC-THIN 1/2-13	
21	56002956	2	SCR HEX LOC 5/16 18 X .75	
22	56003022	2	SCR HEX LOC 1/2-13 X 1.25	
23	56003032	1	SCR HEX LOC 1/2-13 X .75	
24	56009017	6	WSH FLT HDN .516X.938X.075	
25	56009022	3	WSH FLT .752/.756X1.250X.125	
27	56009086	1	NUT HEX JAM 5/16 18	
28	56009087	1	NUT HEX JAM 1/4 20	
29	56111962	1	HINGE WELDT	
30	56110290	1	PIVOT BLOCK	
31	56111961	1	ARM-SIDE BROOM UPPER	
32	56304586	3	BEARING .750X.625X.500	
33	56304893	2	BEARING SLEEVE .625X.750X..25	
34	56111963	1	BRKT-LEFT SIDE BROOM	
35	56111964	1	ARM-SIDE BROOM LOWER	
36	56360627	2	BUSHING .50X.62X.41CT32G	
37	56365030	1	BUSHING CA334D	
38	56367206	3	BUSHING CV32G	
39	56448112	1	SPRING EXTENSION	

**Part Notes:**

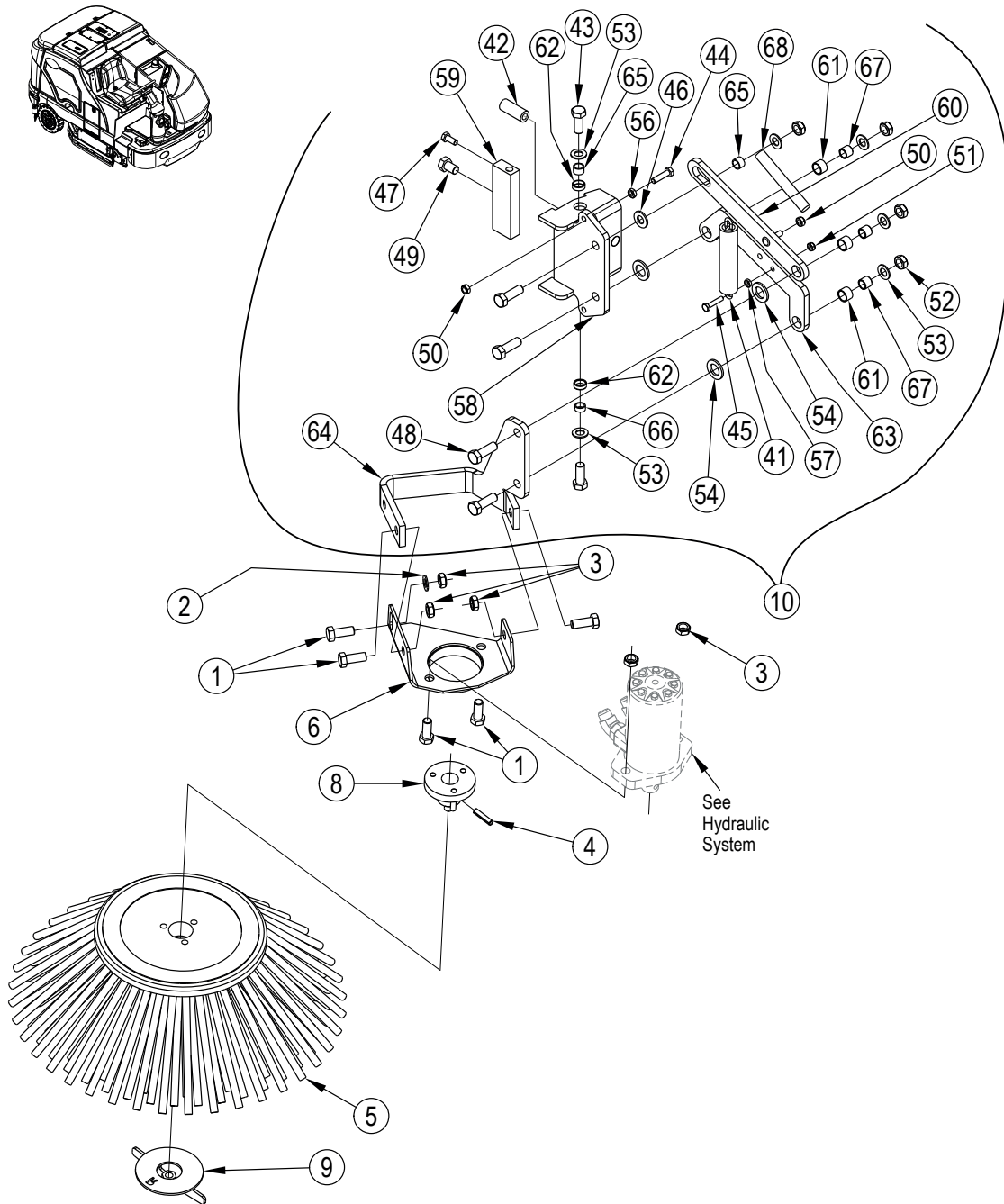
- [1] - (items 1-10)
- [2] - (items 11-39)

# SIDE BROOM SUB ASSY - RIGHT

SC8000 1300 LPG NIL

2015.05.19

2013.08.13





# SIDE BROOM SUB ASSY - RIGHT

SC8000 1300 LPG NIL

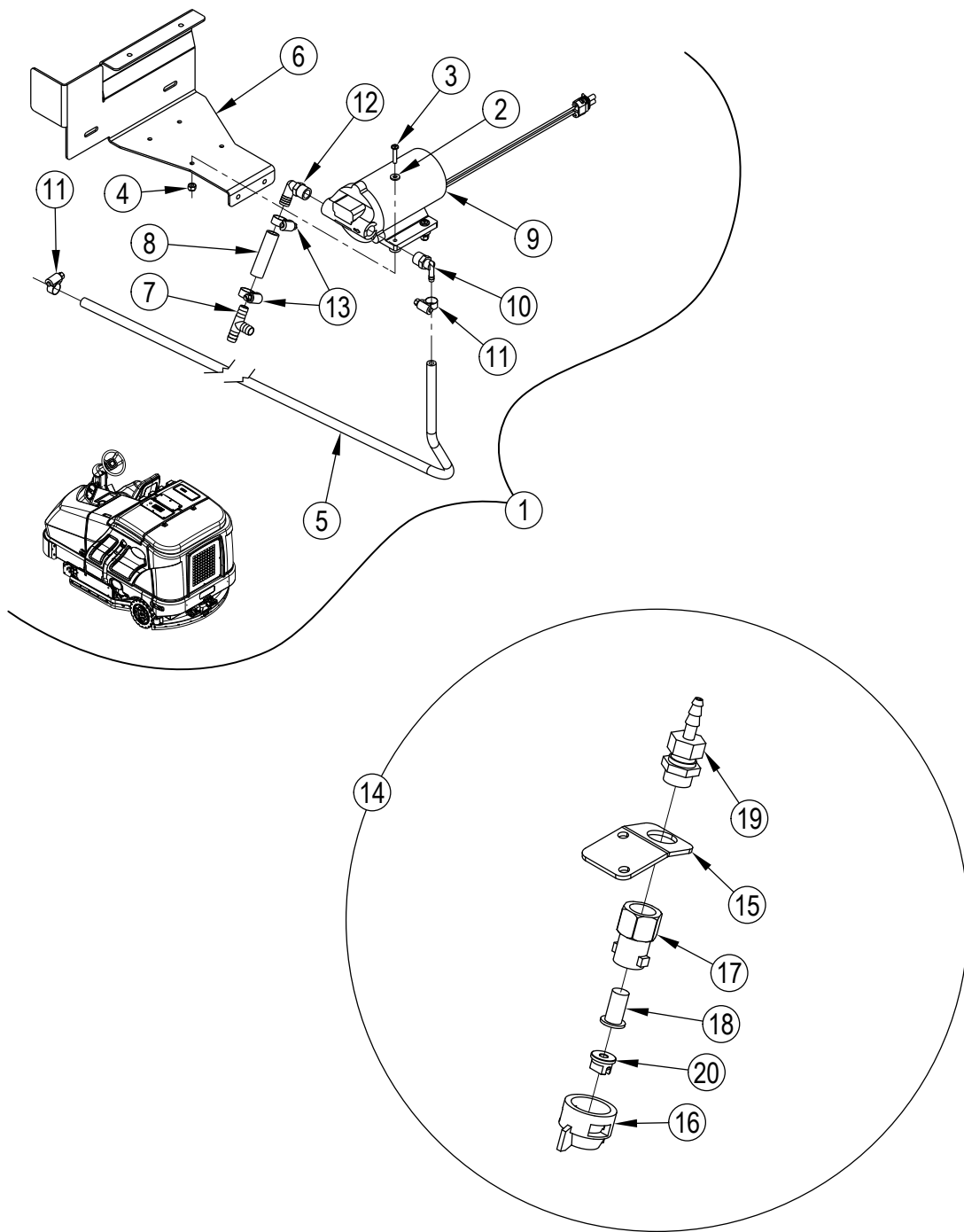
2015.05.19

2013.08.13

Pos.	Product no	QTY	Description	Notes
	56110288	1	SIDE BROOM ASSY-RT	[1]
1	56001831	5	SCR HEX 1/2 13 X 1.25	
2	56001879	1	WSH FLT SAE 1/2	
3	56002843	5	NUT HEX NYL LOC-THIN 1/2-13	
4	56003494	1	PIN SPRING 5/16 X 1.38	
5	56477812	1	BROOM SIDE H. DUTY	
6	56111960	1	MOTOR BRKT WELDT	
8	56418543	1	RIGHT SIDE BROOM HUB ASSY	
9	56305731	1	RIGHT THUMB NUT WELDMENT	
10	56110289	1	ARM ASSEMBLY-RT	[2]
41	56407335	1	CHAIN ASSEMBLY	
42	56761327	1	SPRING COMP.73X1.75 E00453	
43	56003022	2	SCR HEX LOC 1/2-13 X 1.25	
44	56001834	1	SCR HEX 5/16 18 X 1.25	
45	56001878	1	SCR HEX 1/4 20 X 1.25	
46	56001879	1	WSH FLT SAE 1/2	
47	56002956	1	SCR HEX LOC 5/16 18 X .75	
48	56001968	4	SCR HEX 1/2 13 X 1.50	
49	56003032	1	SCR HEX LOC 1/2-13 X .75	
50	56002826	2	NUT HEX NYL LOC-THIN 5/16-18	
51	56002840	1	NUT HEX NYL LOC-THIN 1/4-20	
52	56002843	4	NUT HEX NYL LOC-THIN 1/2-13	
53	56009017	6	WSH FLT HDN .516X.938X.075	
54	56009022	3	WSH FLT .752/.756X1.250X.125	
56	56009086	1	NUT HEX JAM 5/16 18	
57	56009087	1	NUT HEX JAM 1/4 20	
58	56111962	1	HINGE WELDT	
59	56110290	1	PIVOT BLOCK	
60	56111961	1	ARM-SIDE BROOM UPPER	
61	56304586	3	BEARING .750X.625X.500	
62	56304893	2	BEARING SLEEVE .625X.750X..25	
63	56111964	1	ARM-SIDE BROOM LOWER	
64	56111965	1	BRKT-SIDE BROOM	
65	56360627	2	BUSHING .50X.62X.41CT32G	
66	56365030	1	BUSHING CA334D	
67	56367206	3	BUSHING CV32G	
68	56448112	1	SPRING EXTENSION	

**Part Notes:**

- [1] - (items 1-10)
- [2] - (items 41-68)



# SIDE BROOM SUB ASSY - PUMP

SC8000 1300 LPG NIL

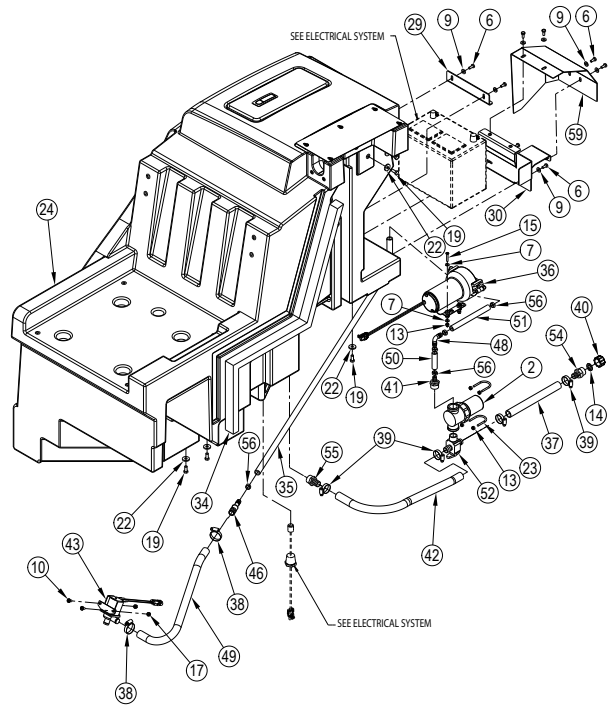
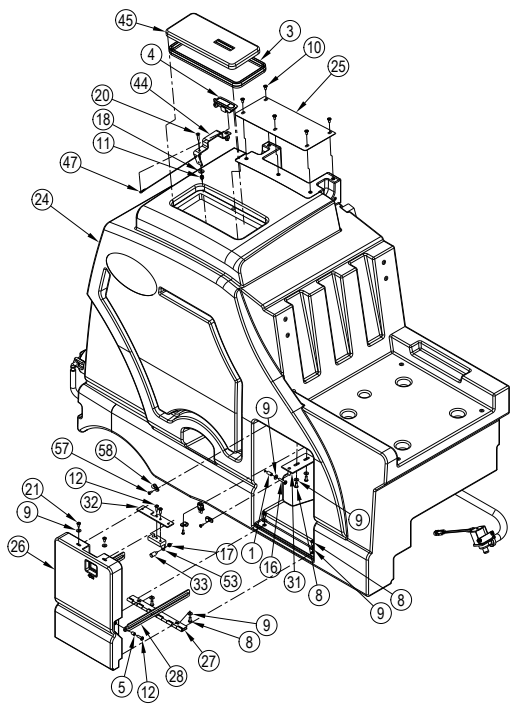
2015.05.19

2014.11.13

Pos.	Product no	QTY	Description	Notes
1		1	Pump Assembly (items 2-13)	
2	56001954	4	WSH FLT SAE 10	
3	56002674	4	SCR PAN PHIL 10-24 X 1.00	
4	56002768	4	NUT HEX NYL LOC 10-24	
5	56111477	1	HOSE POLYEST BRAID .25ID X 100	
6	56384010	1	BRACKET-PUMP MOUNT	[1]
7	56262549	1	TEE E00455	
8	56392347	1	TUBE PVC.500X 2.50 E00199	
9	56507851	1	PUMP 24 VDC	
10	56508442	1	ELBOW BARB 1/4 X 3/8 NPT	
11	56756364	2	CLAMP HOSE SAE 4 E00047	
12	56900069	1	BARB 90 ELBOW 1/2 X 3/8NPT	
13	2-95-04388	2	CLAMP-HOSE-FEEDWATER IDEAL6203	
14	56111261	1	NOZZLE ASSY	[2]
15	56111956	1	BRKT-SPRAY NOZZLE	
16	56507908	1	CAP NOZZLE	
17	56507909	1	ADAPTER NOZZLE	
18	56507916	1	STRAINER CHECK VALVE 5 PSI	
19	56508449	1	NOZZLE ADAPTOR	
20	56508450	1	NOZZLE SPRAY	

**Part Notes:**

- [1] - TSB-FC-2014-032 SC8000\_Condor XL Pumps Failing  
DE TSB-FC-2014-032 SC8000 ER1300 Reinigungsmittelpumpe defekt
- [2] - (items 15-20)



# SOLUTION SYSTEM

SC8000 1300 LPG NIL

2015.05.19

2015.07.01

Pos.	Product no	QTY	Description	Notes
1	56330741	2	BUSHING 1/4X3/8X3/4	
2	56407162	1	FILTER	
2	56384157	1	GASKET-FILTER	[1]
3	56407282	1	GASKET	
4	56418471	1	DOOR LATCH	
5	56330027	2	BUSHING	
6	56001836	8	SCR HEX 1/4 20 X .62	
7	56001954	8	WSH FLT SAE 10	
8	56002066	6	SCR PAN PHIL 1/4-20 X .62	
9	56002098	18	WSH FLT SAE 1/4	
10	56002145	7	SCR PAN PHIL 1/4-20 X .50	
11	56002491	2	NUT HEX NYL LOC SS 1/4-20	
12	56002507	4	SCR PAN PHIL 1/4-20 X .75	
13	56002768	8	NUT HEX NYL LOC 10-24	
14	56368776	2	WSH FLT RUBBER .625CV80L	
15	56002824	4	SCR PAN PHIL 10-24X1.25	
16	56002825	2	SCR PAN PHIL 1/4-20 X 1.25	
17	56002840	3	NUT HEX NYL LOC-THIN 1/4-20	
18	56002914	2	WSH FLT STD SS 1/4	
19	56002956	5	SCR HEX LOC 5/16 18 X .75	
20	56003074	2	SCR FLT PHIL SS 1/4-20X1.00	
21	56009062	2	SCR PAN PHIL THD FORM1/4-20X.5	
22	56009122	5	WSH FLT .344X.938X.125	
23	56110318	2	U-BOLT 10-24 X R.69	
24	56110380	1	TANK SOLUTION	
25	56110636	1	COVER	
26	56110740	1	COVER CHEMICAL INJECTION	
27	56110741	1	HINGE	
28	56110744	2	SUPPORT DOOR	
29	56110893	1	BRACKET BATTERY UPPER	
30	56384010	1	BRACKET-PUMP MOUNT	[2]
31	56110917	1	LATCH PIN WLDMT	
32	56110918	1	PLATE LATCH MOUNT	
33	56110919	1	LATCH PIN	
34	56111066	1	SEAL SOLUTION TANK	
35	56111122	1	HOSE SPIRAL .50 X 69.0	
36	56111387	1	PUMP ASSY 12VDC 60PSI	[3]
37	56111458	1	HOSE .75 X 9.50	
38	56112771	2	CLAMP HOSE SAE 10 E00047	
39	56244969	4	CLAMP HOSE SAE 12 E00047	
40	56255076	1	CAP PIPE GHT NYLON FA33K	
41	56262190	1	BARB	
42	56264262	1	HOSE SPIRAL .750 E00605	
43	56305103	1	SOLENOID VALVE ASSEMBLY	
44	56305206	1	PLATE LATCH	
45	56305209	1	COVER SOLUTION TANK	
46	56315625	1	BARB COUPLER 3/4 X 1/2	
47	56330391	1	WIRE ROPE ASSY 12.0	
48	56386183	1	HOSE BARB 90 DEG	
49	56392833	1	TUBE SPIRAL E00605	
50	56392347	1	TUBE PVC.500X 2.50 E00199	
51	56397207	1	HOSE PVC .500X7.00 E00199	
52	56413581	1	VALVE T SHUTOFF	
53	56413802	1	LATCH RH	
54	56900273	1	BARB HOSE E00039	
55	56456801	1	HOSE INSERT 3/4 NPT E00039	
56	2-95-04388	6	CLAMP-HOSE-FEEDWATER IDEAL6203	
57	56001993	3	SCREW 10-24 X 0.5 ZINC PL	
58	56172017	3	P-CLIP E00129	

Pos.	Product no	QTY	Description	Notes
59	56383999	1	SHIELD-SPRAY	[4]

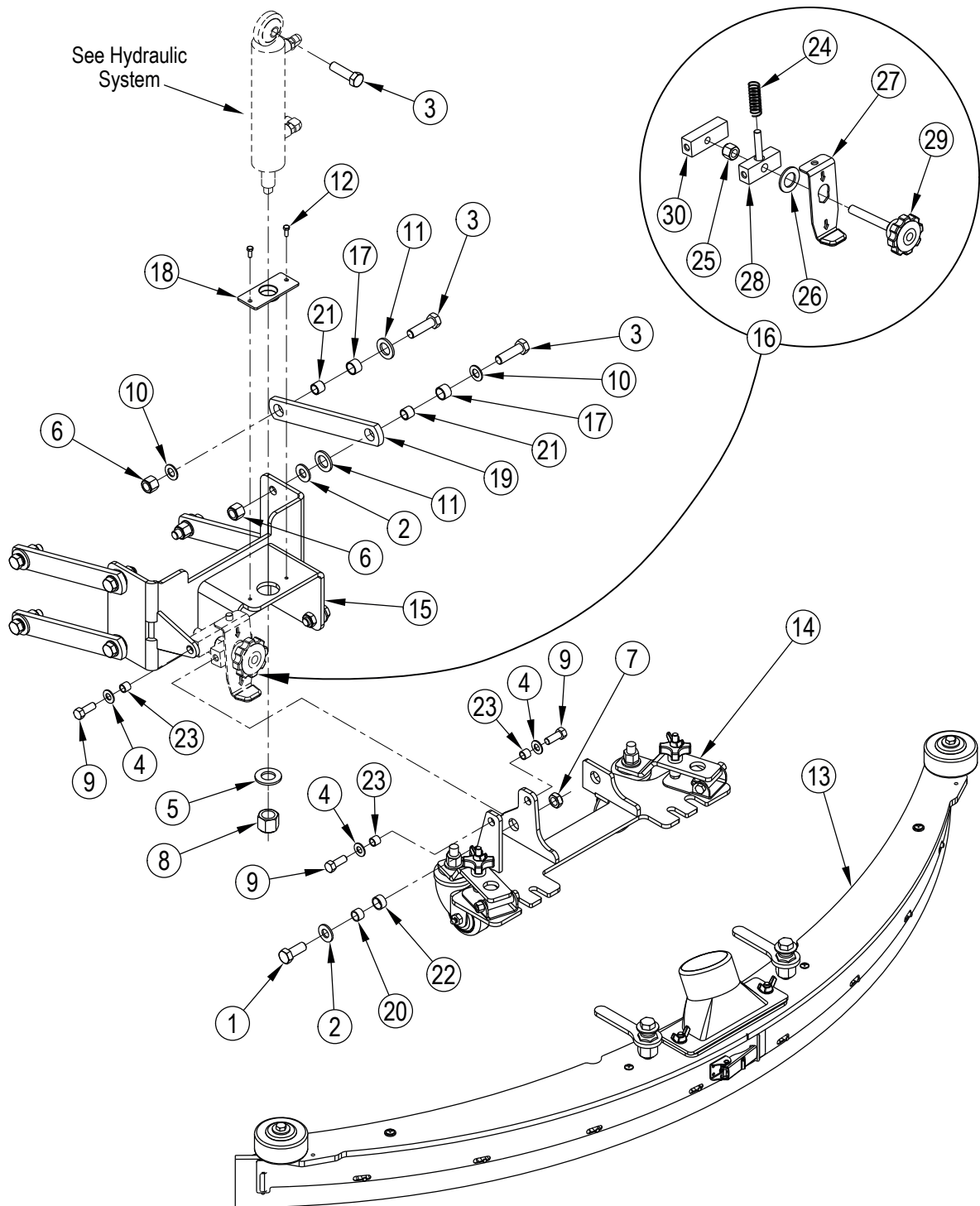
Part Notes:

- [1] - (for 56407162)
- [2] - TSB-FC-2014-032 SC8000 Condor XL Pumps Failing  
DE TSB-FC-2014-032 SC8000 ER1300 Reinigungsmittelpumpe defekt
- [3] - TSB-FC-2013-135 56111342 Solution Pump  
TSBFC 2013-135 SC8000, ER1300, CR1200 Anschlusswinkel der Reinigungsmittelpumpe
- [4] - DE TSB-FC-2014-032 SC8000 ER1300 Reinigungsmittelpumpe defekt



**Comments:**



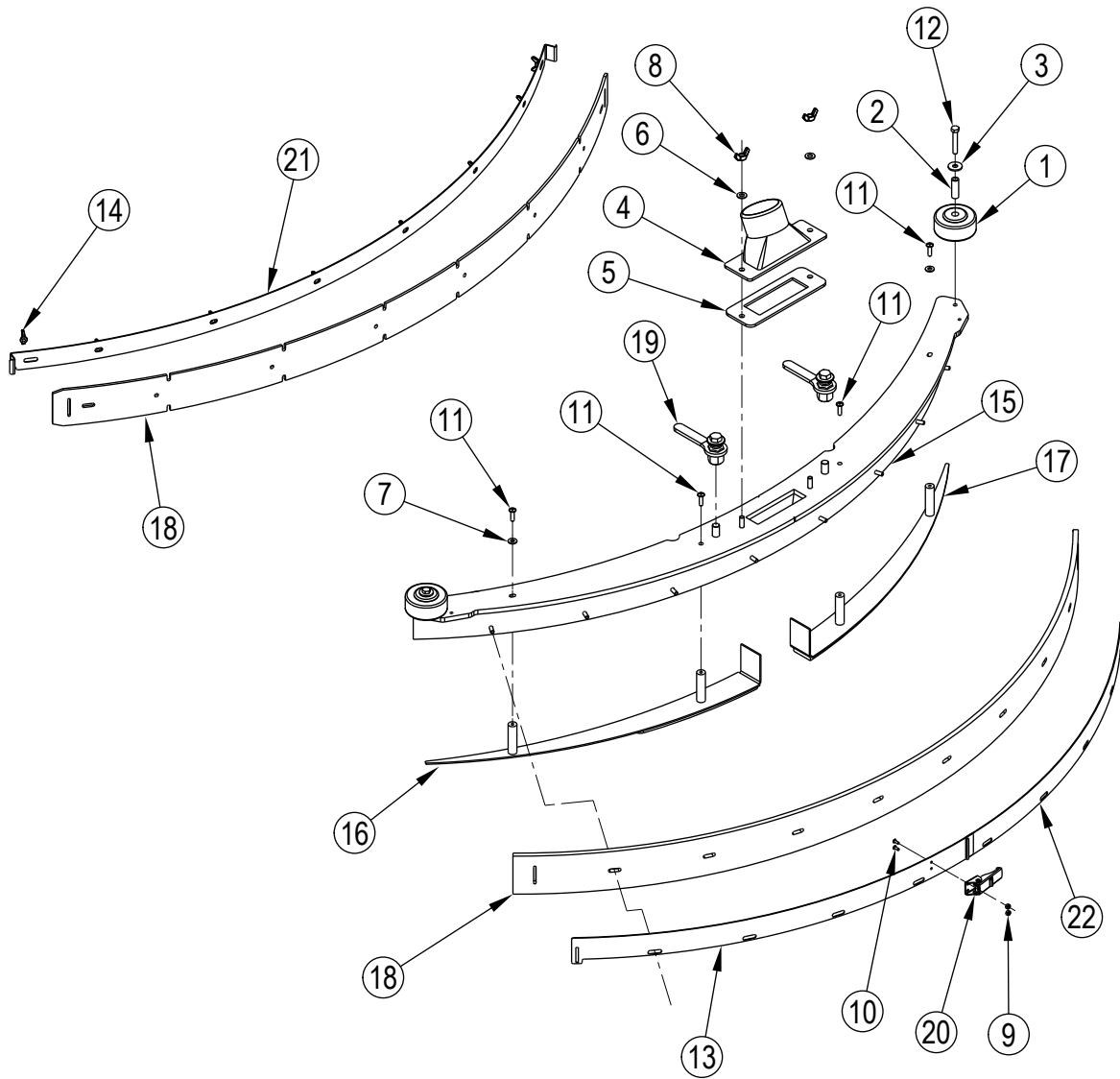




Pos.	Product no	QTY	Description	Notes
1	56002904	2	SCR HEX SS 1/2-13 X 1.25	
2	56002918	6	WSH FLT SAE SS 1/2	
3	56002888	9	SCR HEX HD SS 1/2-13X1 75	
4	56002910	4	WSH FLT SAE SS 3/8	
5	56003852	1	WSH-FLT SAE SS 3/4	
6	56002846	8	NUT HEX NYL LOC SS 1/2-13	
7	56002854	2	NUT HEX NYL LOC-THIN SS 1/2-13	
8	56002862	1	NUT HEX NYL LOC 3/4-10	
9	56003914	4	SCR-HEX LOC SS 3/8-16 X 1.00	
10	56009017	8	WSH FLT HDN .516X.938X.075	
11	56009022	8	WSH FLT .752/.756X1.250X.125	
12	56009039	2	SCR HEX THD FORM 10-24X .50	
13	56110873	1	SQUEEGEE ASSEMBLY	[1]
14	56110886	1	SQUEEGEE MOUNT ASSEMBLY	
15	56111940	1	SQUEEGEE LIFT WELDMENT	
16	56111731	1	ADJUSTER ASSY	
17	56304586	8	BEARING .750X.625X.500	
18	56304590	1	PLATE GUIDE	
19	56111931	4	ARM-PARALLEL 7.5IN	
20	56360627	2	BUSHING .50X.62X.41CT32G	
21	56367206	8	BUSHING CV32G	
22	56370878	2	BEARING SLEEVE .627CV213FE0202	
23	56388326	4	BUSHING .38X.48X.41	
24	56379170	1	SPRING COM .60X2.00 E00453	
25	56003312	1	NUT HEX NYL LOC M12-1.75	
26	56003791	1	WSH FLT SS .875 X 1.50 X .105	
27	56111723	1	LOCK ADJUSTER	
28	56111724	1	PIVOT WELDMENT	
29	56111729	1	KNOB ASSEMBLY	
30	56111732	1	BAR SQUEEGEE ADJ	

Part Notes:

[1] - (items 1-22)



# SQUEEGEE ASSY

SC8000 1300 LPG NIL

2015.05.19

2013.08.13

Pos.	Product no	QTY	Description	Notes
	56110873	1	SQUEEGEE ASSEMBLY	[1]
1	56386127	2	WHEEL 3.00X1.25 CL415	
2	56454249	2	BUSHING	
3	56003646	2	WSH FLT SS M8	[2]
4	56459102	1	ADAPTOR	
5	56459281	1	GASKET INLET	
6	56002938	2	WSH FLT SAE SS 5/16	
7	56002859	2	WSH FLT SAE SS 1/4	
8	56002370	2	NUT WING 5/16-18	
9	56002907	2	NUT HEX NYL LOC SS 6-32	
10	56002909	2	SCR PAN PHIL SS 6-32 X .38	
11	56003087	4	SCR PAN PHIL SS 1/4-20X .88	
12	56003802	2	SCR- HEX SS M8-1.25 X 50mm	
13	56109621	1	STRAP REAR H	[3]
14	56009111	8	NUT WING S.S. 1/4 20	
15		1	Squeegee Weldment	[4]
16	56111938	1	LEFT PLATE WELDT	
17	56111939	1	RIGHT PLATE WELDT	
18	56111650	1	BLADE KIT-SQUEEG RED GUM H	
	56413642	1	BLADE SQGEE RED GUM RR H	
	56111652	1	BLADE KIT-SQUEEG GUM RUBBER H	
	56413710	1	BLADE SQUEEGEE GUM RR H	
	56111203	1	BLADE KIT SQUEEGEE-POLYURETHAN	
	56111205	1	BLADE REAR SQ PU H 63	
19	56305616	2	CRANK ASSEMBLY	
20	56471194	1	LATCH ASSY RE32	
21	56109620	1	STRAP FRONT H	[3]
22	56109677	1	STRAP-REAR H	[3]

## Part Notes:

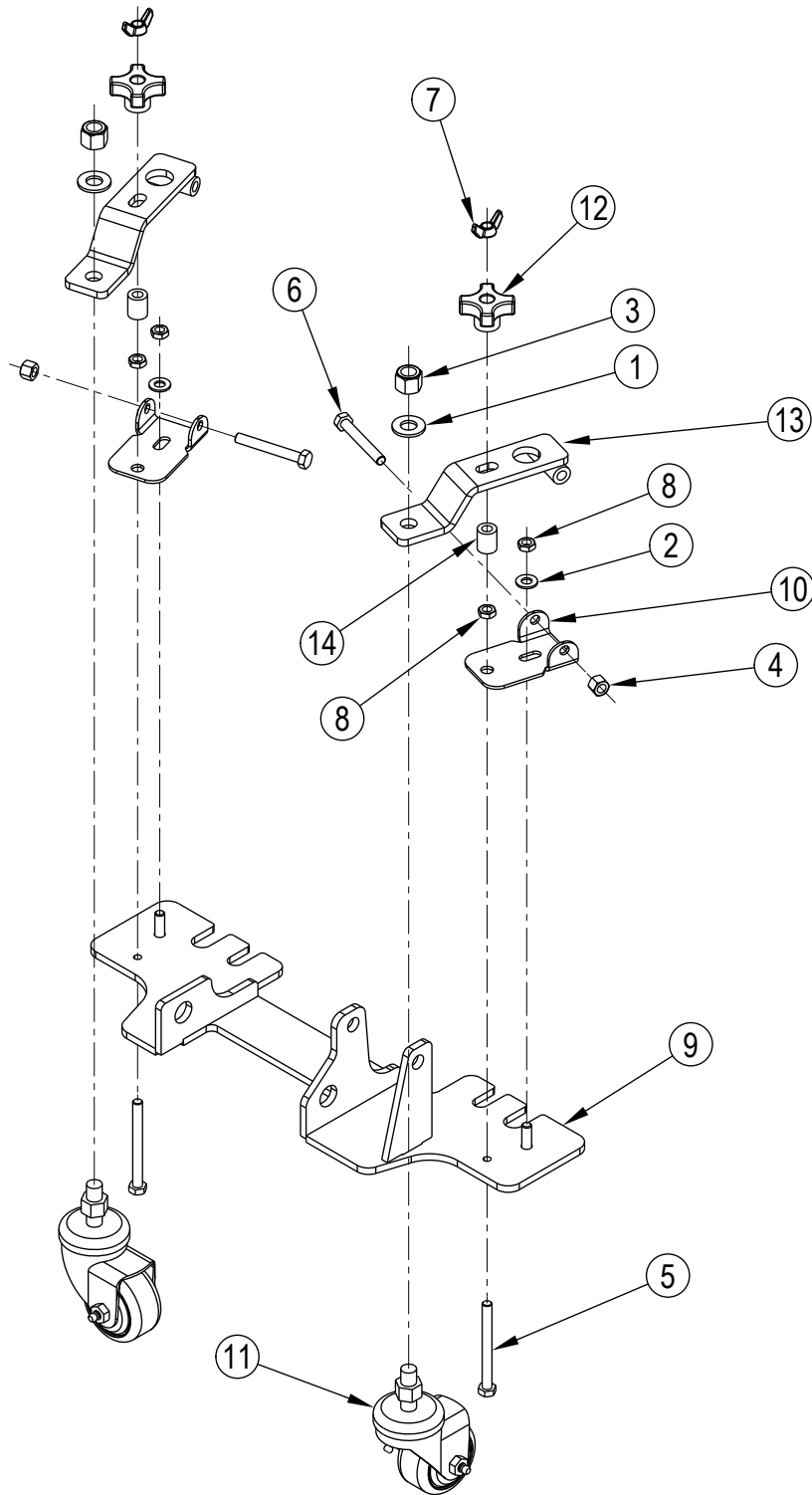
- [1] - (Items 1-22)
- [2] - EXPIRED USE 56002938
- [3] - Items 13, 21 22 can be ordered as Strap Kit H 56109622.
- [4] - The squeegee weldment is not available for sale separately. If you need to replace your squeegee weldment please order the complete Squeegee Assy  
56110873.

# SQUEEGEE MOUNT ASSY

SC8000 1300 LPG NIL

2015.05.19

2013.08.13



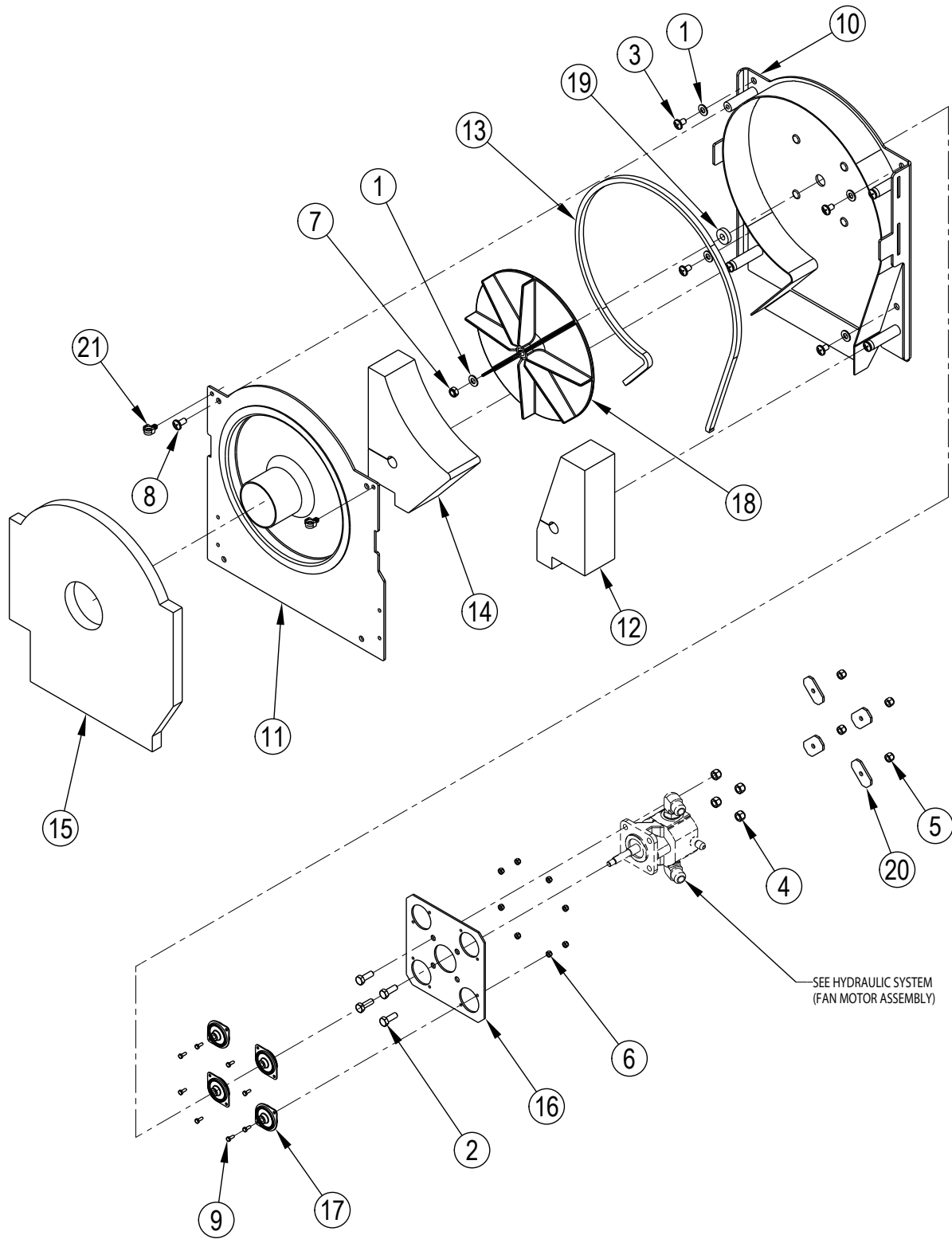
# SQUEEGEE MOUNT ASSY

SC8000 1300 LPG NIL

2015.05.19

2013.08.13

Pos.	Product no	QTY	Description	Notes
	56110886	1	SQUEEGE MOUNT ASSEMBLY	
1	56001879	2	WSH FLT SAE 1/2	
2	56002938	2	WSH FLT SAE SS 5/16	
3	56002770	2	NUT HEX NYL LOC 1/2-13	
4	56003405	2	NUT HEX NYL LOC SS M8X1.25	
5	56003463	2	SCR HEX TO HD SS 5/16-18X3.25	
6	56003464	2	SCR HEX SS M8 1.25 X 60MM	
7	56003465	2	NUT WING SS 5/16 18	
8	56009141	4	NUT HEX JAM SS 5/16 18	
9	56111934	1	SQUEEGEE MOUNT WELDT	
10	56111936	2	BRACKET	
11	56407344	2	CASTER	
12	56407510	2	KNOB	
13	56111935	2	CASTER BRACKET WELDT	
14	56111803	2	BUSHING .340 X .625 X .76	



Pos.	Product no	QTY	Description	Notes
	56111549	1	VAC FAN ASSY	
1	56001939	5	WSH FLT SAE 5/16	
2	56002037	4	SCR HEX 5/16-18 X .88	
3	56002281	4	SCR PAN PHIL 5/16-18 X .50	
4	56002701	4	NUT HEX NYL LOC 5/16-18	
5	56002708	4	NUT HEX NYL LOC 1/4-20	
6	56002830	8	NUT HEX NYL LOC 6-32	
7	56002866	1	NUT HEX NYL LOC-THIN 5/16-24	
8	56003003	4	SCR PAN PHIL 5/16-18X.62	
9	56003068	8	SCR HEX 6 32 X .38	
10	56111544	1	SCROLL WELDT	
11	56111545	1	VAC FAN COVER WELDT	
12	56111563	1	FOAM SOUND REDUCTION	
13	56111565	1	SEAL	
14	56111566	1	FOAM SOUND REDUCTION	
15	56111576	1	FOAM SOUND	
16	56304647	1	PLATE MOTOR GUIDE	
17	56304652	4	ISOLATOR VIBRATION	
18	56305018	1	IMPELLER	
19	56305022	1	SPACER .375X1.00X.250	
20	56305714	4	WASHER SNUBBING	
21	56315382	2	CLIP CONDUIT	





# LADDER DIAGRAM - LPG

SC8000 1300 LPG NIL

2015.05.19

2013.08.13

Pos.	Product no	QTY	Description	Notes
		1	Engine System	
		1	Driver Box	
	56381129	1	DASHBOARD PANEL ASSEMBLY	
	56110530	1	RELAY PCB ASSY	
BT		1	Battery 12V	
CB1	56413822	1	CIRCUIT BREAKER 20 AMP	
CB2	56413822	1	CIRCUIT BREAKER 20 AMP	
CB3	56413407	1	CIRCUIT BREAKER 15 AMP	
CB4	56413822	1	CIRCUIT BREAKER 20 AMP	
CB5	56507644	1	CIRCUIT BREAKER 10 AMP	
CB6	56413407	1	CIRCUIT BREAKER 15 AMP	
F1	56111123	1	FUSE 100A	
H3	56409232	1	OVERHEAD GUARD OPTION	
H4	56442054	1	HORN 12 VOLT CV438	
K1	56110423	1	RELAY SPST 12V 75A	
K2		1	Relay, Run	
K3		1	Relay, Start	
L1		1	Vacuum Fan Valve, S1	
L2		1	Squeegee Down Valve, S2	
L3		1	Squeegee Up Valve, S3	
L4		1	Scrub Brush Valve, S4	
L5		1	Scrub Pressure Proportional Down Valve, S5	
L6		1	Scrub Cylinder Lock Valve, S6	
L7		1	Scrub Pressure Proportional Up Valve, S7	
L8		1	Side Sweep/Scrub Valve, S8	
L9		1	Side Scrub Lift Valve, S9	
L10	56305103	1	SOLENOID VALVE ASSEMBLY	
L11	56110464	1	SOLENOID VALVE ASSY	
LP1	56110437	1	HEAD LIGHT ASSY RH	
	56507224	1	BULB 12V 50W	
LP2	56110436	1	HEAD LIGHT ASSY LH	
	56507224	1	BULB 12V 50W	
LP3	56507112	1	LIGHT RED ROUND STOP	
LP4	56507112	1	LIGHT RED ROUND STOP	
LP5	56507112	1	LIGHT RED ROUND STOP	
LP6	56507112	1	LIGHT RED ROUND STOP	
LP7	56307166	1	BEACON ASSEMBLY	
	56109521	1	FLASHTUBE REPLACEMENT	[1]
	56109723	1	FLASHTUBE REPLACEMENT	
M4	56111387	1	PUMP ASSY 12VDC 60PSI	[2]
M5	56507851	1	PUMP 24 VDC	
M6	56111387	1	PUMP ASSY 12VDC 60PSI	[2]
M7	56305008	1	ACTUATOR MOTOR	
M8	56111671	1	PUMP ASSY 12VDC 60PSI SWITCH	
M10	56110742	1	PUMP DETERGENT 12V	
M11	56110742	1	PUMP DETERGENT 12V	
R1	56305129	1	ROTARY SENSOR	
R2	56305873	1	SENDER TEMPERATURE	
S1	56111109	1	KEY SWITCH ASSEMBLY	
*	56303526	1	KEY REPLACEMENT SET OF 2	[3]
S2	56110561	1	SWITCH LIQUID LEVEL	
S3	56413669	1	SWITCH LIQUID LEVEL	
S4		1	Switch, Hydraulic Filter	
S5	56418381	1	SWITCH N C PRESSURE	
S6	56305053	1	SENSOR PROXIMITY	
S7	56111270	1	SWITCH ASSY FLOAT	
S29	8-82-00024	1	HORN PUSH BUTTON	
S30	7-82-00050	1	SWITCH	

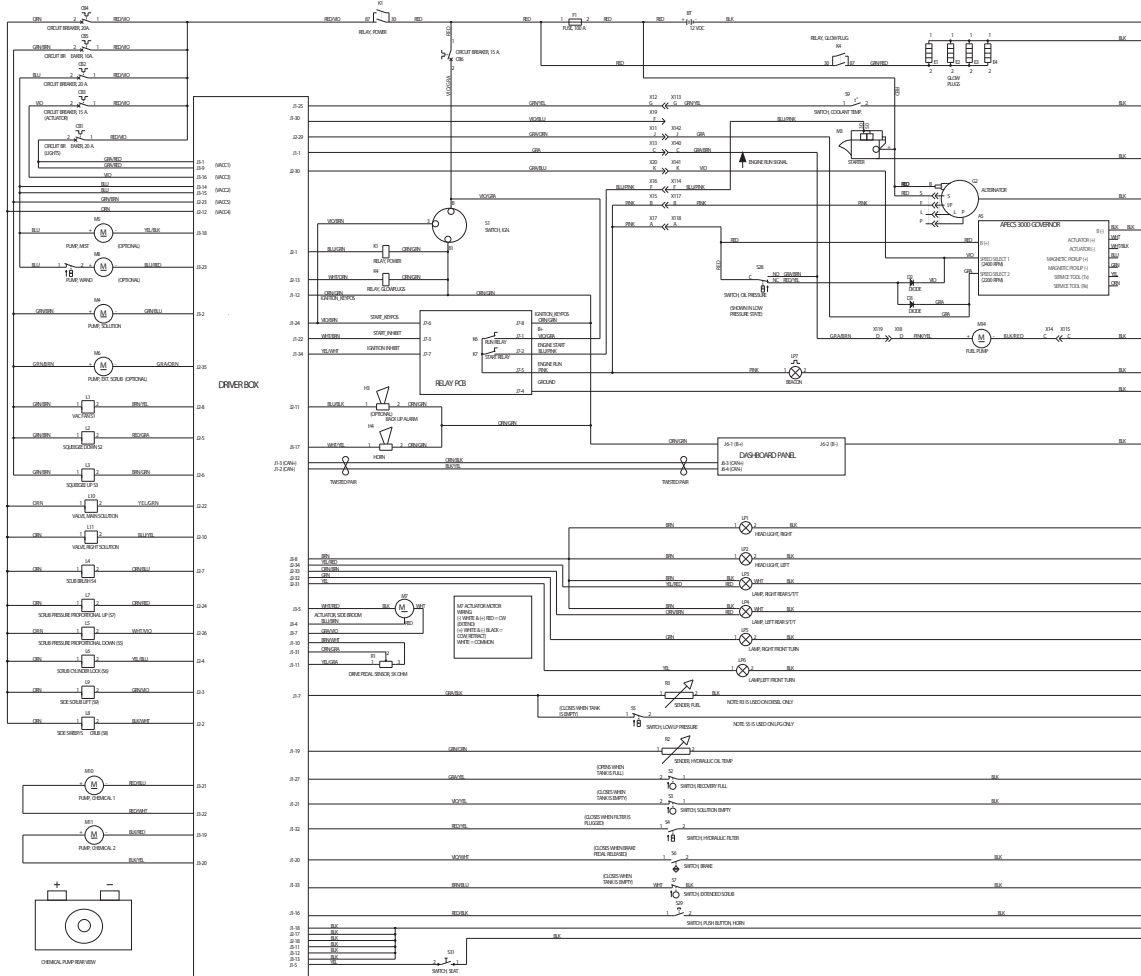
Part Notes:

- [1] - (for 56307166 manufactured by Speaker or ECCO)
- [2] - TSB-FC-2013-135
- [3] - (for 56111109)



**Comments:**





# LADDER DIAGRAM - DIESEL

SC8000 1300 LPG NIL

2015.05.19

2013.08.13

Pos.	Product no	QTY	Description	Notes
		1	Driver Box	
	56381129	1	DASHBOARD PANEL ASSEMBLY	
	56508400	1	GOVERNOR CONTROLLER	
	56110530	1	RELAY PCB ASSY	
BT		1	Battery 12V	
CB1	56413822	1	CIRCUIT BREAKER 20 AMP	
CB2	56413822	1	CIRCUIT BREAKER 20 AMP	
CB3	56413407	1	CIRCUIT BREAKER 15 AMP	
CB4	56413822	1	CIRCUIT BREAKER 20 AMP	
CB5	56507644	1	CIRCUIT BREAKER 10 AMP	
CB6	56413407	1	CIRCUIT BREAKER 15 AMP	
D2		1	Diode	
D3		1	Diode	
E1		1	Glow Plug	
E2		1	Glow Plug	
E3		1	Glow Plug	
E4		1	Glow Plug	
F1	56111123	1	FUSE 100A	
G2	56110738	1	ALTERNATOR 105 AMP	
H3	56409232	1	OVERHEAD GUARD OPTION	
H4	56442054	1	HORN 12 VOLT CV438	
K1	56110423	1	RELAY SPST 12V 75A	
K2		1	Relay, Run	
K3		1	Relay, Start	
K4	56110423	1	RELAY SPST 12V 75A	
L1		1	Vacuum Fan Valve, S1	
L2		1	Squeegee Down Valve, S2	
L3		1	Squeegee Up Valve, S3	
L4		1	Scrub Brush Valve, S4	
L5		1	Scrub Pressure Proportional Down Valve, S5	
L6		1	Scrub Cylinder Lock Valve, S6	
L7		1	Scrub Pressure Proportional Up Valve, S7	
L8		1	Side Sweep/Scrub Valve, S8	
L9		1	Side Scrub Lift Valve, S9	
L10	56305103	1	SOLENOID VALVE ASSEMBLY	
L11	56110464	1	SOLENOID VALVE ASSY	
LP1	56110437	1	HEAD LIGHT ASSY RH	
	56507224	1	BULB 12V 50W	
LP2	56110436	1	HEAD LIGHT ASSY LH	
	56507224	1	BULB 12V 50W	
LP3	56507112	1	LIGHT RED ROUND STOP	
LP4	56507112	1	LIGHT RED ROUND STOP	
LP5	56507112	1	LIGHT RED ROUND STOP	
LP6	56507112	1	LIGHT RED ROUND STOP	
LP7	56307166	1	BEACON ASSEMBLY	
	56109521	1	FLASHTUBE REPLACEMENT	[1]
	56109723	1	FLASHTUBE REPLACEMENT	
M3	56419089	1	STARTER MOTOR	
M4	56111387	1	PUMP ASSY 12VDC 60PSI	[2]
M5	56507851	1	PUMP 24 VDC	
M6	56111387	1	PUMP ASSY 12VDC 60PSI	[2]
M7	56305008	1	ACTUATOR MOTOR	
M8	56111671	1	PUMP ASSY 12VDC 60PSI SWITCH	
M10	56110742	1	PUMP DETERGENT 12V	
M11	56110742	1	PUMP DETERGENT 12V	
M14	56508355	1	FUEL PUMP ELECTRONIC	[3]
R1	56305129	1	ROTARY SENSOR	
R2	56305873	1	SENDER TEMPERATURE	
R3	56478358	1	SENDER FUEL LEVEL RE437A	

Pos.	Product no	QTY	Description	Notes
S1	56111109	1	KEY SWITCH ASSEMBLY	
	56303526	1	KEY REPLACEMENT SET OF 2	[4]
S2	56110561	1	SWITCH LIQUID LEVEL	
S3	56413669	1	SWITCH LIQUID LEVEL	
S4		1	Switch, Hydraulic Filter	
S6	56305053	1	SENSOR PROXIMITY	
S7	56111270	1	SWITCH ASSY FLOAT	
S9	56419091	1	SWITCH TEMPERATURE	
S28	56305098	1	ENGINE OIL PRESSURE SWITCH	
S29	8-82-00024	1	HORN PUSH BUTTON	
S31	7-82-00050	1	SWITCH	

## Part Notes:

- [1] - (for 56307166 manufactured by Speaker or ECCO)
- [2] - TSB-FC-2013-135
- [3] - Shipped with the engine.
- [4] - (for 56111109)



**Comments:**



**BRUSH SELECTOR GUIDE-CYLINDRICAL (MAIN SCRUB DECK)**

We provide brushes and pad holders that will give you the best possible performance between machine and floor. Following are descriptions of the materials and their applications.

**80 Grit Brush:** Medium aggressive grit brush. Good all-around brush for medium to heavy buildup removal. Can also be used for general stripping operations.

**180 Grit Brush:** Least aggressive grit brush. Used for daily cleaning of hard-finished floors.

**Polypropylene Brush:** Standard equipment brush. Low cost, yet effective in cleaning many common floor surfaces.

**48" BRUSH LENGTH**

56110011 - Polypropylene

56110012 - 80 Grit

56110013 - 180 Grit

**CYLINDRICAL BRUSH APPLICATION GUIDE (SUGGESTION ONLY)**

Application	80 Grit	180 Grit	Polypropylene
<b>Stripping:</b>			
Concrete	X		
Terrazzo	X		
Ceramic/Quarry tile	X		
Vinyl tile	X		
<b>General Scrubbing:</b>			
Concrete	X	X	X
Terrazzo		X	X
Ceramic/Quarry tile		X	X
Marble		X	
Vinyl tile		X	X
Raised-rubber tile		X	

**SIDE BROOMS LEFT & RIGHT FRONT**

**Side Broom:** PN56477812 Polypropylene (STD)  
 The side broom function is to sweep the dirt and debris away from the curb, wall, pallet, etc. into the path of the scrub deck.  
 PN56505629 Soft (Optional)



Diameter.....20" (50.8 cm)



# BRUSH SELECTOR GUIDE-CYLINDRICAL

SC8000 1300 LPG NIL

2015.05.19

2013.08.14

---

<b>Pos.</b>	<b>Product no</b>	<b>QTY</b>	<b>Description</b>	<b>Notes</b>
	56110011		BRUSH CYL 48 PROLENE	
	56110012		BRUSH CYL 48 DYNA GRIT 80	
	56110013		BRUSH CYL 48 MIDLITE 180	

We provide brushes and pad holders that will give you the best possible performance between machine and floor. Following are descriptions of the materials and their applications.

**Prolene:** Polypropylene material for medium-duty scrubbing on concrete, terrazzo and vinyl floor tile. Recommended for use in place of green or blue pads.

**Dyna Grit:** For aggressive, heavy-duty scrubbing or stripping of floors. Recommended for use in place of brown pads.

**MidLite Grit:** For general purpose scrubbing of sealed or unsealed concrete, stone, terrazzo, quarry tile and other resilient hard floor surfaces. Recommended for use in place of green or blue pads.

#### Ø15" BRUSH BLOCK

56505832 - Dyna Grit (80)

56505834 - Prolene

56505838 - MidLite Grit (180)

### DISC BRUSH APPLICATION GUIDE (SUGGESTION ONLY)

Application	80 Grit	180 Grit	Prolene
<b>Stripping:</b>			
Concrete	X		
Terrazzo	X		
Ceramic/Quarry tile	X		
Vinyl tile	X		
<b>General Scrubbing:</b>			
Concrete	X	X	X
Terrazzo		X	X
Ceramic/Quarry tile		X	X
Vinyl tile		X	X

# BRUSH SELECTOR GUIDE-DISK (RIGHT SCRUB

SC8000 1300 LPG NIL

2015.05.19

2013.08.14

---

<b>Pos.</b>	<b>Product no</b>	<b>QTY</b>	<b>Description</b>	<b>Notes</b>
	56505832		DISC BRUSH-16 DYNAGRIT 3 LUG	
	56505834		DISC BRUSH-16 PROLENE 3 LUG	
	56505838		DISC BRUSH-16 MIDLITE 3 LUG	

## OPTIONAL KITS & ACCESSORIES

Resource notes:

NOTE 1: All squeegee blade kits include both front and rear squeegee blades.

NOTE 2: All Deck Blade Kits include 4 side skirt blades (2 for each side skirt) plus 2 splash shield blades (1 for each end of the scrub deck).

NOTE 3: Right Scrub Blade Kits include 2 blades, one inside and one outside blade.

# OPTIONAL KITS & ACCESSORIES

SC8000 1300 LPG NIL

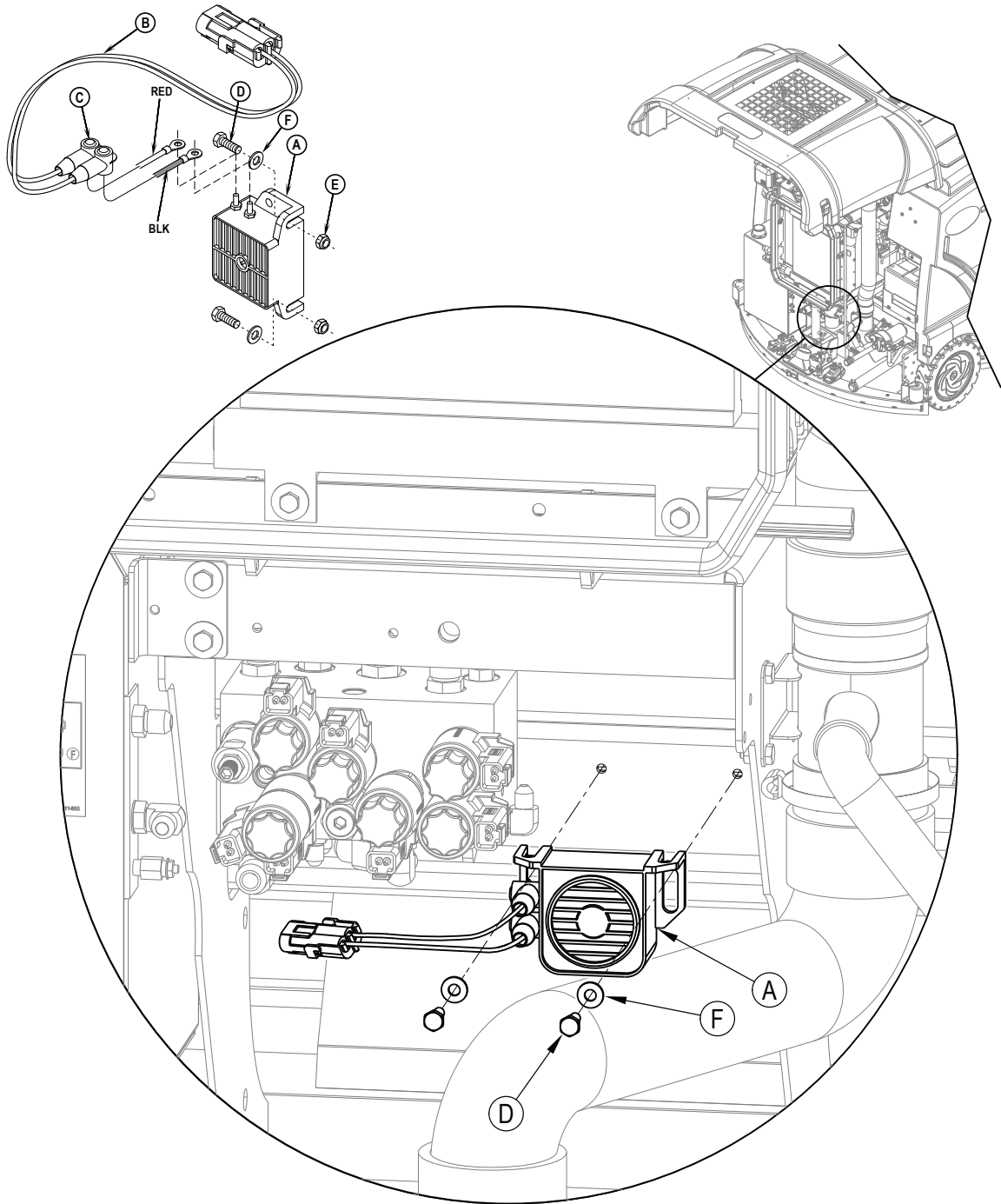
2015.05.19

2013.08.14

Pos.	Product no	QTY	Description	Notes
1	56305896	1	SOLUTION FULL SHUTOFF KIT	
2	56111535	1	DELUXE SEAT KIT	
3	56110300	1	OVERHEAD GUARD KIT	
4	56111259	1	EXTENDED SCRUB KIT	
5	56108131	1	ECOFLEX CHEMICAL KIT EU	
6	56111298	1	UNDERHOOD LIGHT KIT	
7	56110730	1	VAC WAND KIT	
8	7-03-04250	1	ARM REST RH ONLY	
9	7-03-04249	1	ARM REST LH & RH	
10	56383455	1	SEAT BELT KIT- STANDARD SEAT	
11	56111280	1	RECOVERY TANK CLEAN OUT KIT	
12	56111346	1	KIT WASH HOSE	
13	56111317	1	BRAKE/SIGNAL LIGHT KIT	
14	56111107	1	REAR BUMPER KIT	
15	56110901	1	KIT FIRE EXTINGUISHER	
16	56111265	1	OVERHEAD GUARD BEACON KIT	
17	56111267	1	OVERHEAD GUARD CANOPY KIT	
18	56111733	1	KIT HORN SWITCH	
19	56601410	1	DRAIN HOSE EXTENSION	
20	56111848	1	ROLLER BUMPER KIT	
21	56111873	1	FOOT GUARD KIT	
100	56111650	1	BLADE KIT-SQUEEG RED GUM H	[1]
101	56413642	1	BLADE SQGEE RED GUM RR H	[2]
102	56111652	1	BLADE KIT-SQUEEG GUM RUBBER H	[1]
103	56413710	1	BLADE SQUEEGEE GUM RR H	[3]
104	56111203	1	BLADE KIT SQUEEGEE-POLYURETHAN	[1]
105	56111205	1	BLADE REAR SQ PU H 63	[4]
106	56110013	1	BRUSH CYL 48 MIDLITE 180	
107	56110012	1	BRUSH CYL 48 DYNA GRIT 80	
108	56110011	1	BRUSH CYL 48 PROLENE	
109	56111206	1	BLADE KIT MAIN SCRUB-RED GUM	[5]
110	56111207	1	BLADE KIT MAIN SCRUB-GUM RUB	[5]
111	56111210	1	BLADE KIT MAIN SCRUB-POLYURETH	[5]
112	56111635	1	BLADE KIT-RT SCRUB-RED GUM	[6]
113	56111636	1	BLADE KIT-RT SCRUB-GUM	[6]
114	56111637	1	BLADE KIT OPT SCRUB PU	[6]
115	56505832	1	DISC BRUSH-16 DYNAGRIT 3 LUG	
116	56505834	1	DISC BRUSH-16 PROLENE 3 LUG	
117	56505838	1	DISC BRUSH-16 MIDLITE 3 LUG	
118	56477812	2	BROOM SIDE H. DUTY	
119	56505629	2	BROOM-SIDE WHITE CRIMPED	
120	56044641	1	LITERATURE PACK	

**Part Notes:**

- [1] - NOTE 1
- [2] - included with 56111650
- [3] - included with 56111652
- [4] - included with 56111203
- [5] - NOTE 2
- [6] - NOTE 3



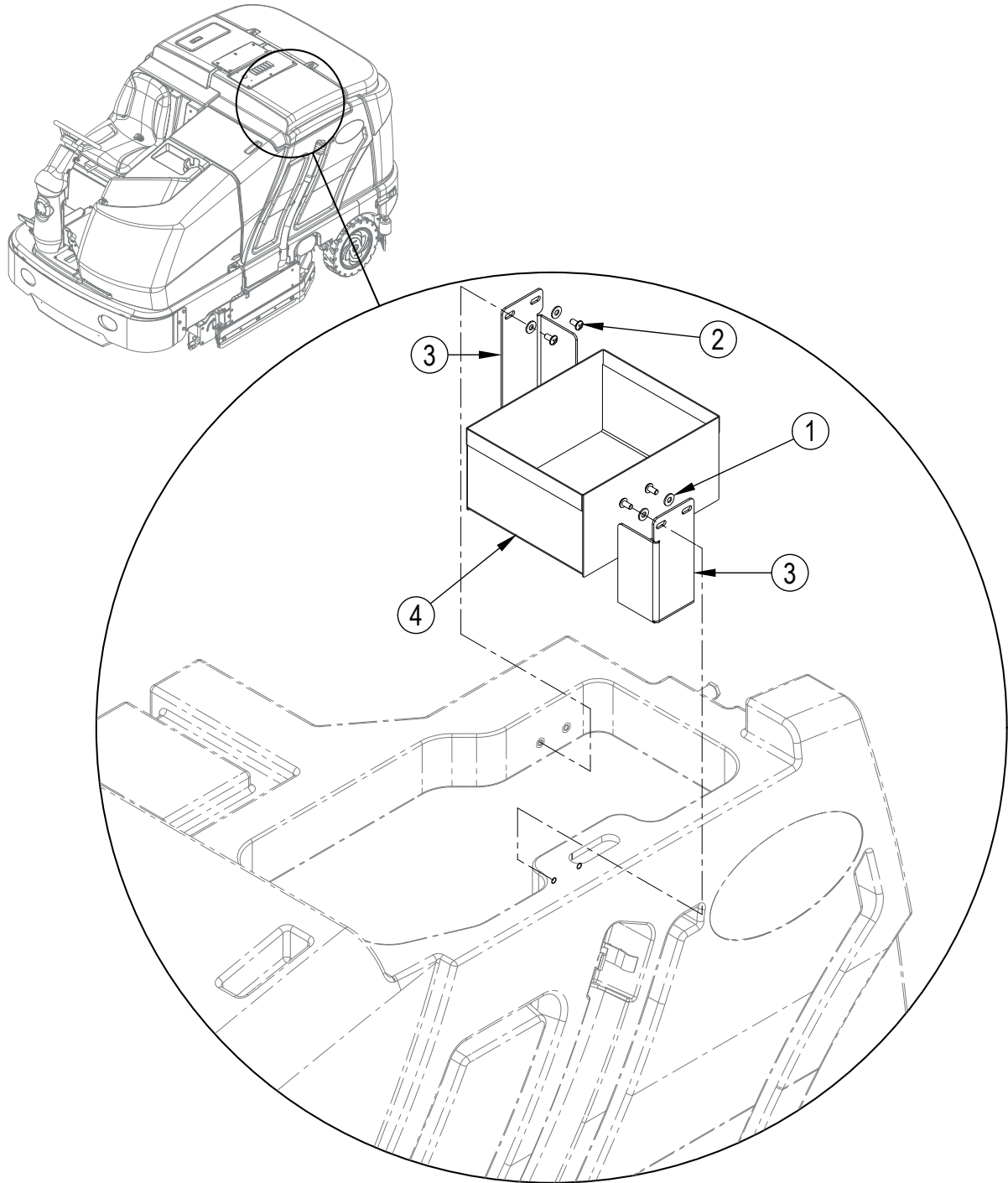
# BACK-UP ALARM KIT

SC8000 1300 LPG NIL

2015.05.19

2013.08.14

<b>Pos.</b>	<b>Product no</b>	<b>QTY</b>	<b>Description</b>	<b>Notes</b>
A	56409232	1	OVERHEAD GUARD OPTION	
B	56409495	1	WIRE ASSY. PIGTAIL	
C	56409538	2	TERMINAL INSULATOR	
D	56009018	2	SCR HEX THD FORM 1/4-20X .75	
E	56002708	2	NUT HEX NYL LOC 1/4-20	
F	56002098	2	WSH FLT SAE 1/4	





# DEBRIS TRAY KIT

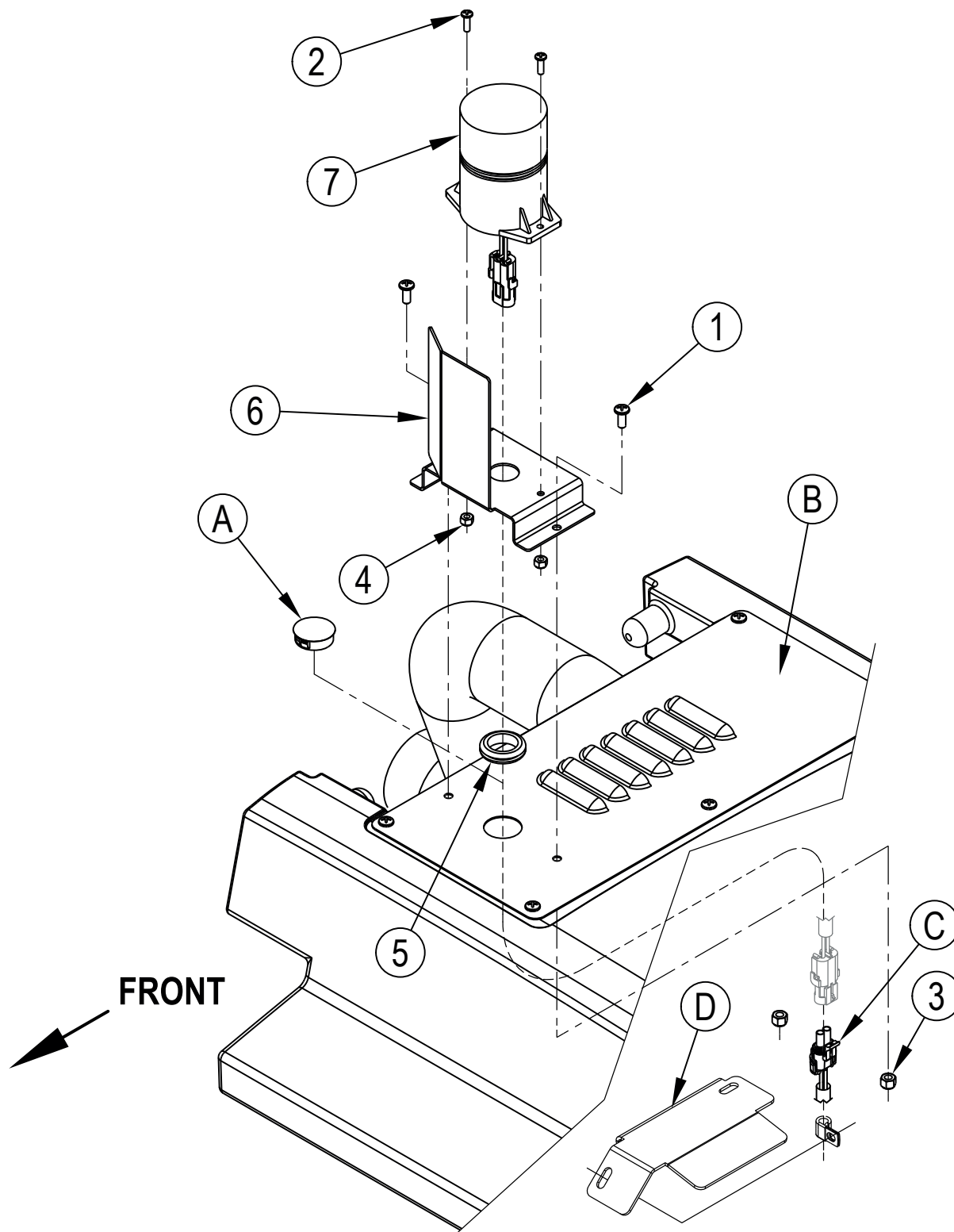
SC8000 1300 LPG NIL

2015.05.19

2015.07.31

---

<b>Pos.</b>	<b>Product no</b>	<b>QTY</b>	<b>Description</b>	<b>Notes</b>
1	56002859	4	WSH FLT SAE SS 1/4	
2	56003119	4	SCR PAN PHIL SS 1/4 20 X .50	
3	56111601	2	MOUNT STRAINER	
4	56383770	1	STRAINER-DEBRIS	



# WARNING BEACON KIT

SC8000 1300 LPG NIL

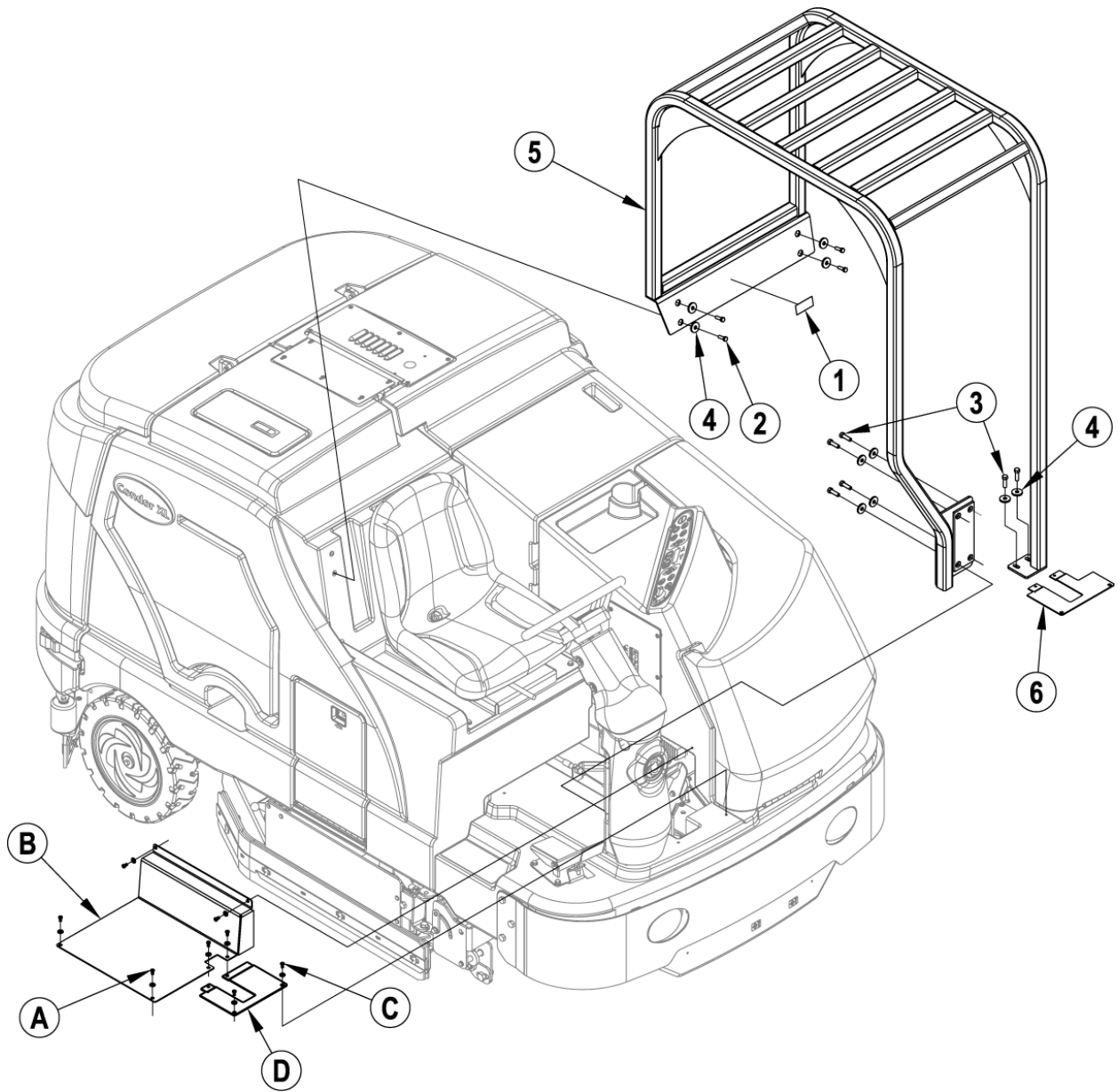
2015.05.19

2013.08.14

Pos.	Product no	QTY	Description	Notes
1	56002066	2	SCR PAN PHIL 1/4-20 X .62	
2	56002124	2	SCREW10-24 X .62 PNH PH	
3	56002708	2	NUT HEX NYL LOC 1/4-20	
4	56002768	2	NUT HEX NYL LOC 10-24	
5	56055434	1	GROMMET E00059	
6	56110908	1	BRACKET BEACON MOUNT	
7	56307166	1	BEACON ASSEMBLY	
	56109521	1	FLASHTUBE REPLACEMENT	[1]
	56109723	1	FLASHTUBE REPLACEMENT	[2]

**Part Notes:**

- [1] - (for 56307166 manufactured by Speaker or ECCO)
- [2] - (for 56307166 manufactured by Superior Signals Inc.)



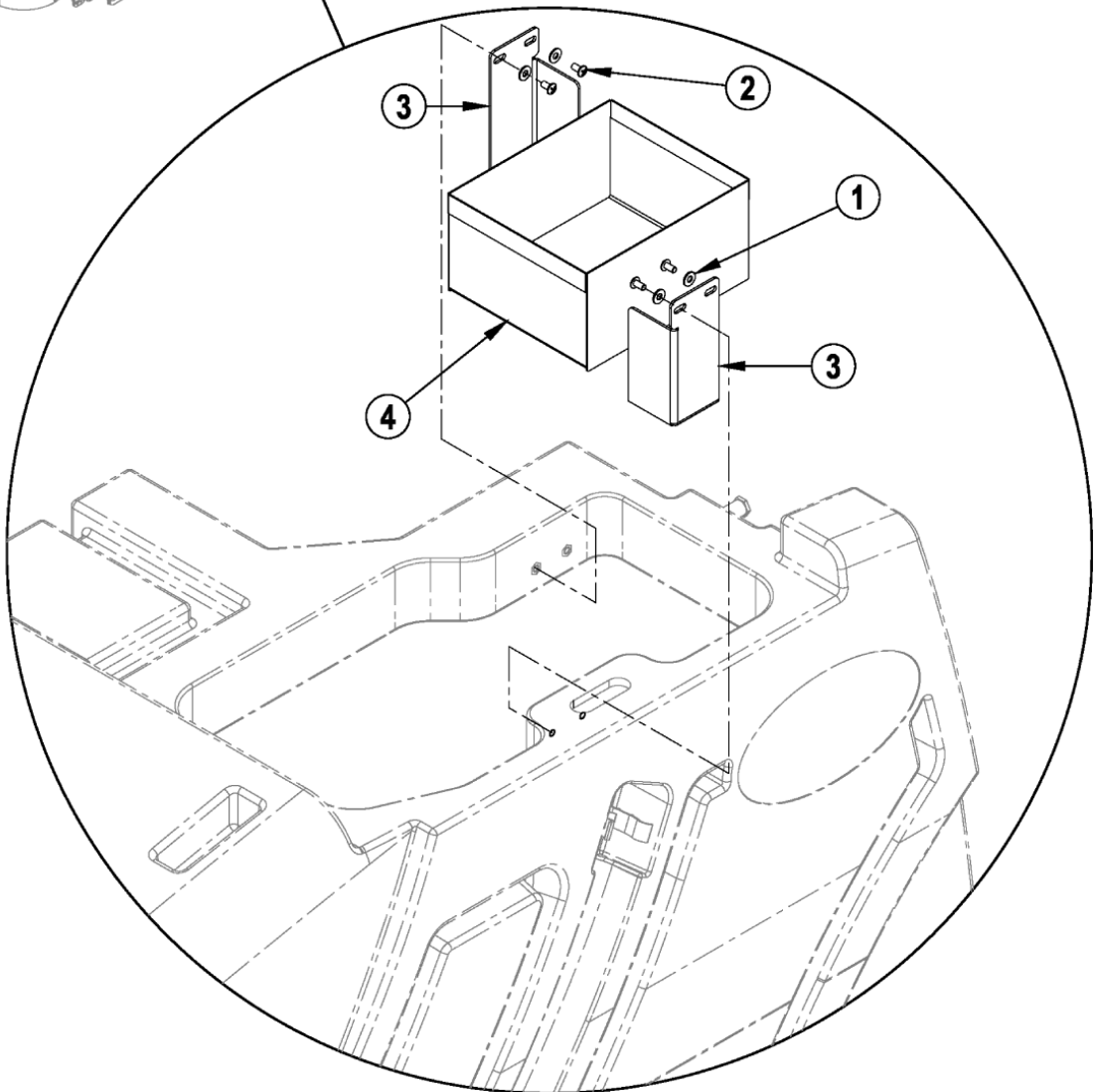
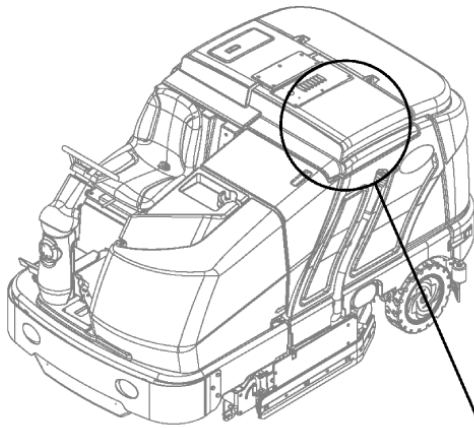
# 56110300 - Overhead Guard Kit

SC8000 1300 LPG NIL

2015.05.19

2013.04.02

<b>Pos.</b>	<b>Product no</b>	<b>QTY</b>	<b>Description</b>	<b>Notes</b>
01	56100696	1		
02	56002221	4	SCR HEX 5/16-18 X 1.00	
03	56003029	6	SCR HEX LOC 3/8-16 X 1.25	
04	56009195	10	WSH FLT .406X 1.250X .164	
05	56110295	1	OVERHEAD GUARD WELDT	
06	56111133	1	OHG FLOOR PLATE WELDT	



# 56110607 - Strainer Kit

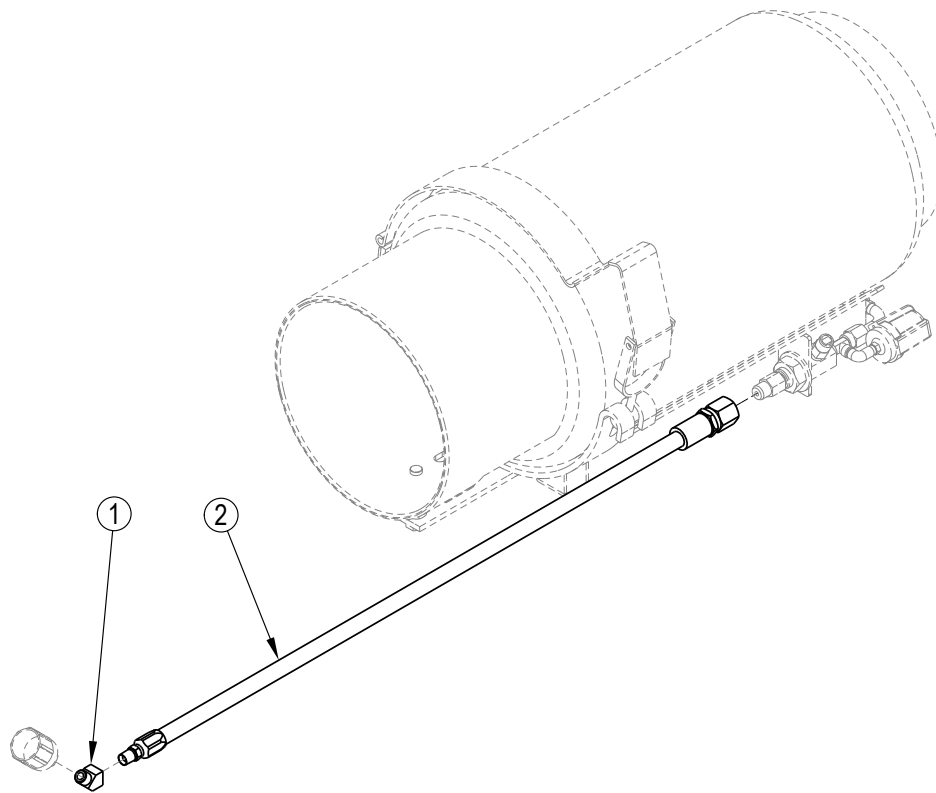
SC8000 1300 LPG NIL

2015.05.19

2014.02.12

---

<b>Pos.</b>	<b>Product no</b>	<b>QTY</b>	<b>Description</b>	<b>Notes</b>
00	56111607	1	KIT - DEBRIS TRAY	
01	56002859	4	WSH FLT SAE SS 1/4	
02	56003119	4	SCR PAN PHIL SS 1/4 20 X .50	
03	56111601	2	MOUNT STRAINER	
04	56383770	1	STRAINER-DEBRIS	





# 56384523 HOSE-LP KIT

SC8000 1300 LPG NIL

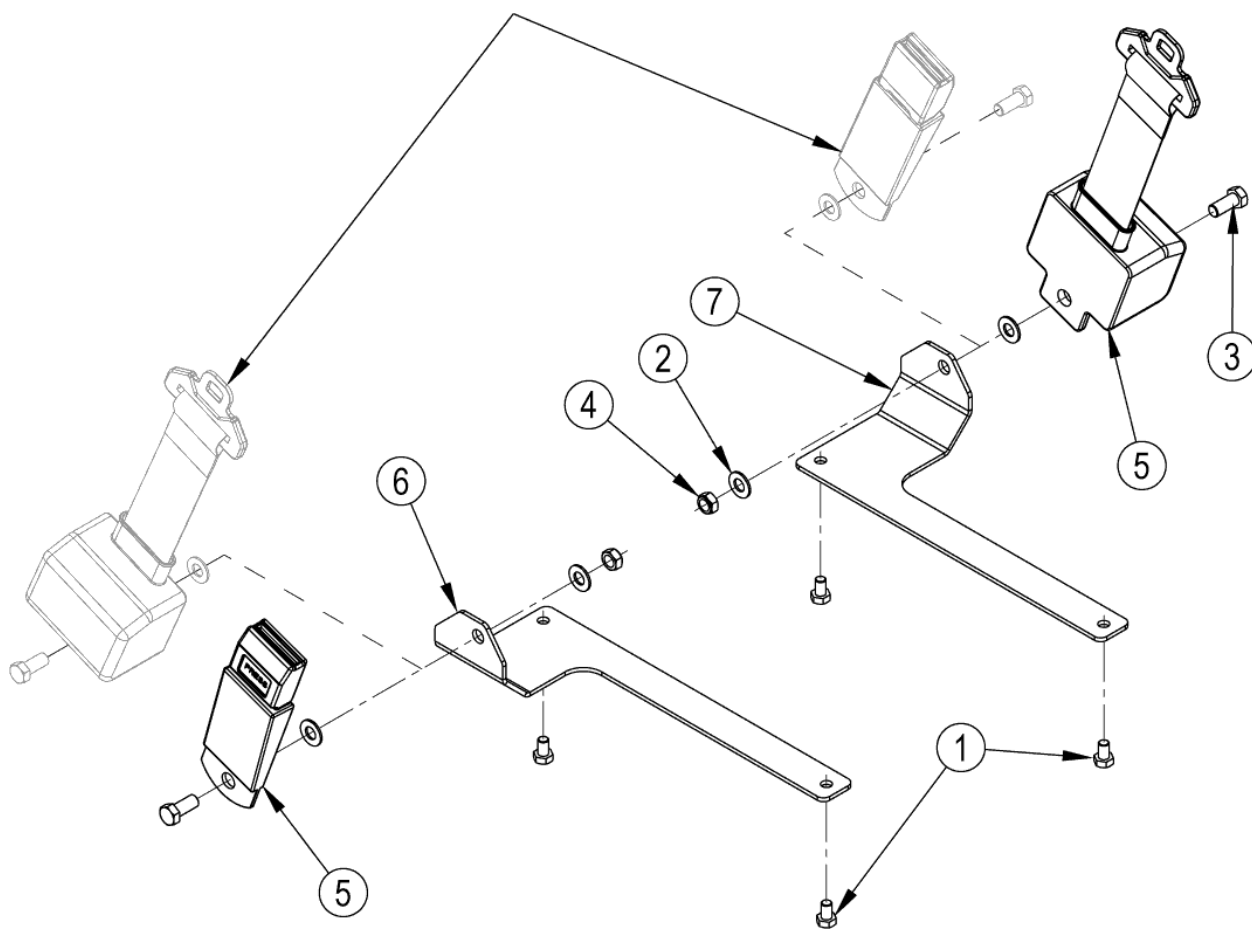
2015.05.20

2015.06.16

Pos.	Product no	QTY	Description	Notes
0	56384523	1	HOSE-LP KIT	[1]
1	56368938	1	ELBOW ST 1/4X45 BR E00029	
2	56384522	1	HOSE-LP 1/4 NTPF X 5/8-18 35LG	

## Part Notes:

[1] - TSB-FC-2015-019 SC8000 Propane Hose Fitting Leak



# 56110733 - SEAT BELT KIT

SC8000 1300 LPG NIL

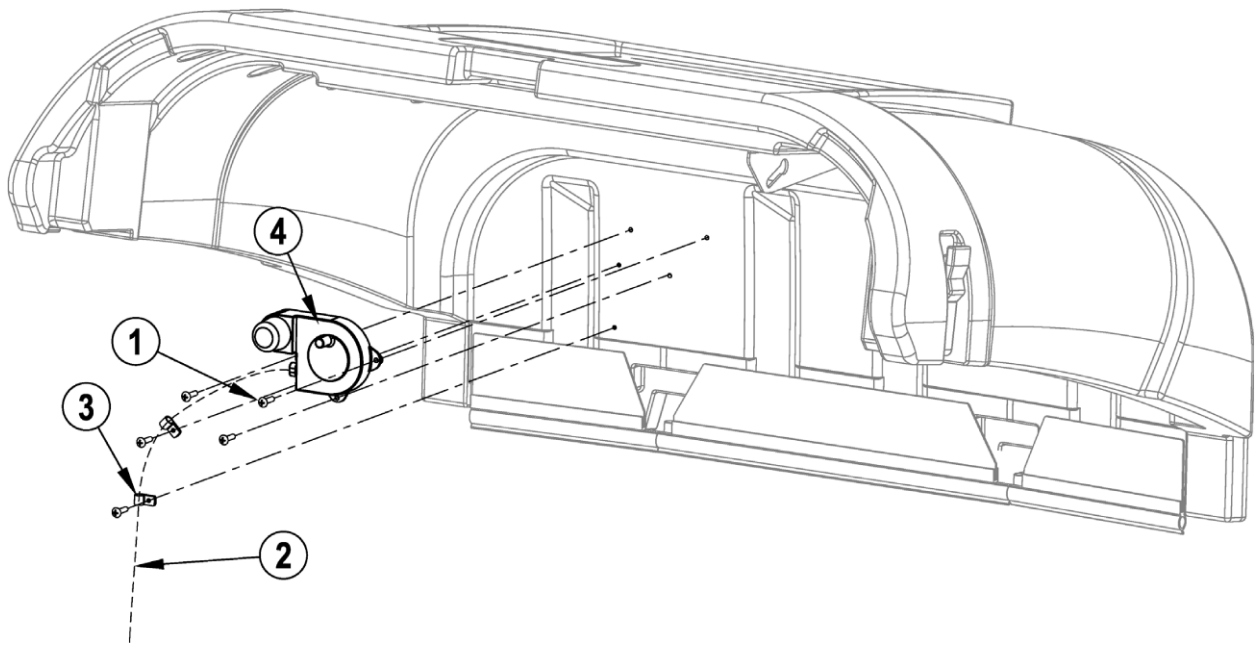
2015.05.19

2013.04.02

Pos.	Product no	QTY	Description	Notes
00	56110733	1	SEAT BELT KIT	[1]
01	56001862	4	SCR HEX 5/16 18 X .50	
02	56002063	4	WSH FLT SAE 3/8	
03	56002271	2	SCR HEX 3/8-16 X .88	
04	56002841	2	NUT HEX NYL LOC-THIN 3/8-16	
05	56109301	1	BELT SEAT 60	
06	56111284	1	BRACKET SEAT BELT RIGHT	[2]
07	56111285	1	BRACKET SEAT BELT LEFT	[2]

**Part Notes:**

- [1] - EXPIRED USE 56383455
- [2] - EXPIRED NO REPLACEMENT



# 56111298 - Underhood Light Kit

SC8000 1300 LPG NIL

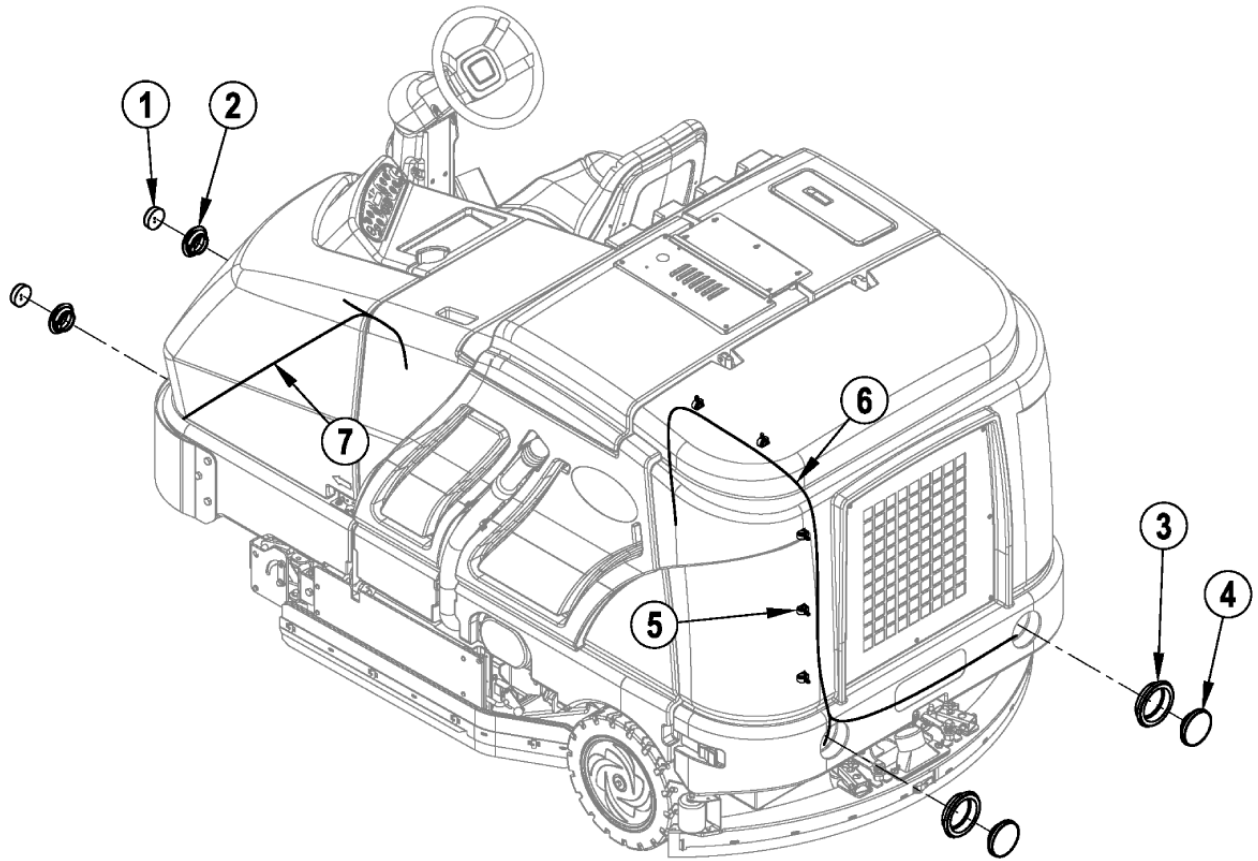
2015.05.19

2013.04.02

Pos.	Product no	QTY	Description	Notes
00	56111298	1	UNDERHOOD LIGHT KIT	
01	56009006	5	SCR PAN PHIL SS TYPE AB 10-16X	
02	56111308	1	HARNES UNDERHOOD LIGHT	
03	56172017	2	P-CLIP E00129	
04	56305627	1	TROUBLE LAMP	
05	56478523	3	CABLE TIE E00549	[1]

Part Notes:

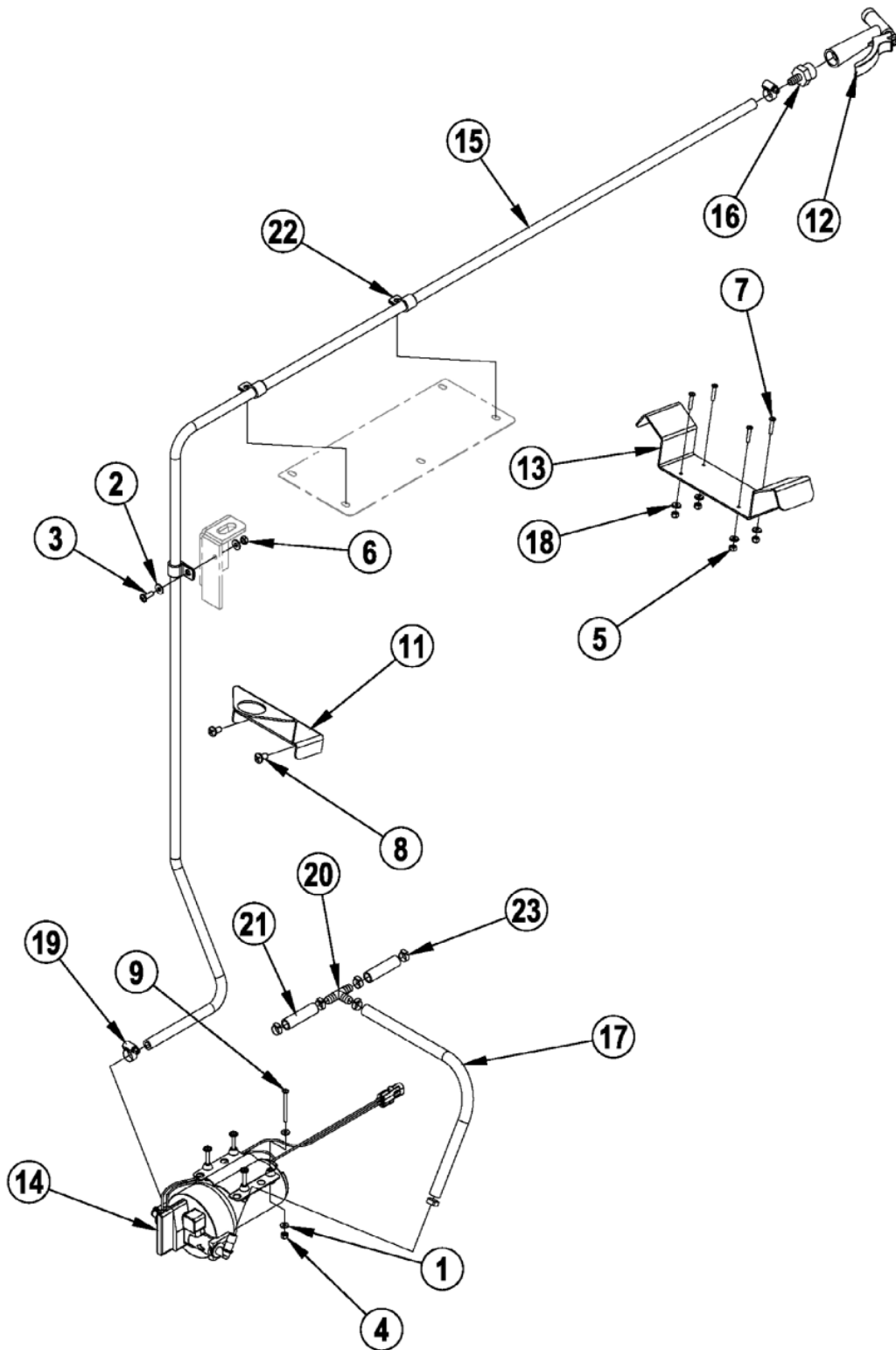
[1] - NOT SHOWN



Pos.	Product no	QTY	Description	Notes
00	56111317	1	BRAKE/SIGNAL LIGHT KIT	
01	56507113	2	LIGHT AMBER ROUND TURN	
02	56507849	2	GROMMET TURN LIGHT	
03	56507848	2	GROMMET TAIL LIGHT	
04	56507112	2	LIGHT RED ROUND STOP	
05	56507794	5	CLIP CONDUIT	
06	56110545	1	HARNES REAR SIGNAL LIGHT	
07	56477613	2	CABLE TIE E00549 RE409S	[1]
07	56478246	4	CABLE TIE E00549 RE438BA	[1]
07	56110546	1	HARNES FRONT SIGNAL LIGHT	

## Part Notes:

[1] - NOT SHOWN





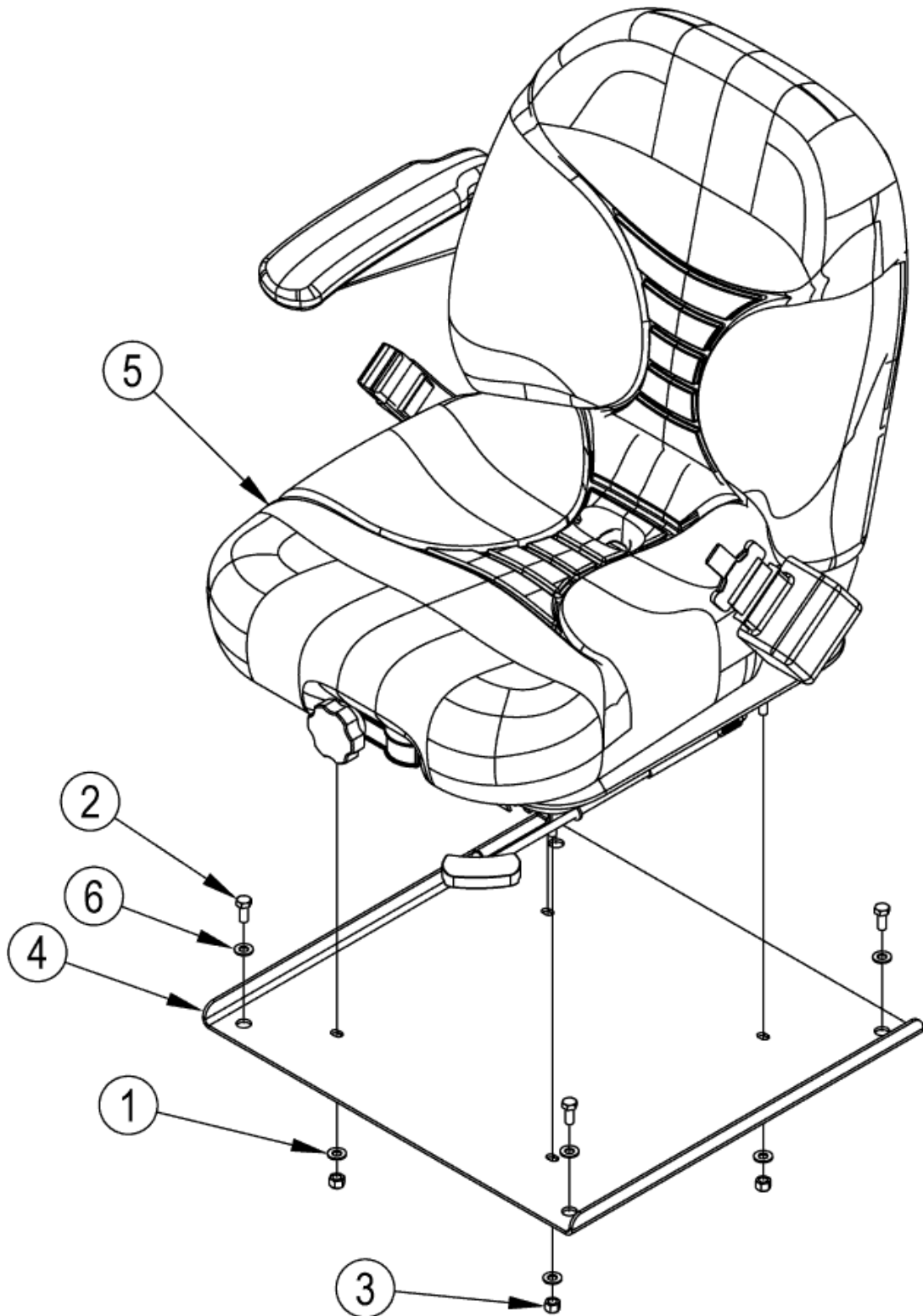
## 56111346 - Wash Hose Kit

SC8000 1300 LPG NIL

2015.05.19

2013.04.02

Pos.	Product no	QTY	Description	Notes
00	56111346	1	KIT WASH HOSE	
01	56001954	8	WSH FLT SAE 10	
02	56002098	2	WSH FLT SAE 1/4	
03	56002507	1	SCR PAN PHIL 1/4-20 X .75	
04	56002768	4	NUT HEX NYL LOC 10-24	
05	56002836	4	NUT HEX NYL LOC SS 10-24	
06	56002840	1	NUT HEX NYL LOC-THIN 1/4-20	
07	56002898	4	SCR PAN PHIL SS 10-24 X 1.00	
08	56003003	2	SCR PAN PHIL 5/16-18X.62	
09	56003503	4	SCR PAN PHIL 10-24 X .50	
11	56111257	1	WASH HOSE BRACKET	
12	56111349	1	SPRAY GUN	
13	56111628	1	BRACKET HOSE	
14	56111671	1	PUMP ASSY 12VDC 60PSI SWITCH	
15	56111675	1	HOSE POLYBRAID	
16	56111677	1	ADAPTER BARB MALE	
17	56172099	1	TUBE PVC .50X18 E00199	
18	56209261	4	WASHER SEALING	
19	56219932	2	CLAMP HOSE SAE 6 E00047	
20	56262549	1	TEE E00455	
21	56392347	2	TUBE PVC.500X 2.50 E00199	
22	56419120	3	CLAMP.HOSE SUPPORT	
23	2-95-04388	6	CLAMP-HOSE-FEEDWATER IDEAL6203	



# 56111535 - Deluxe Seat Kit

SC8000 1300 LPG NIL

2015.05.19

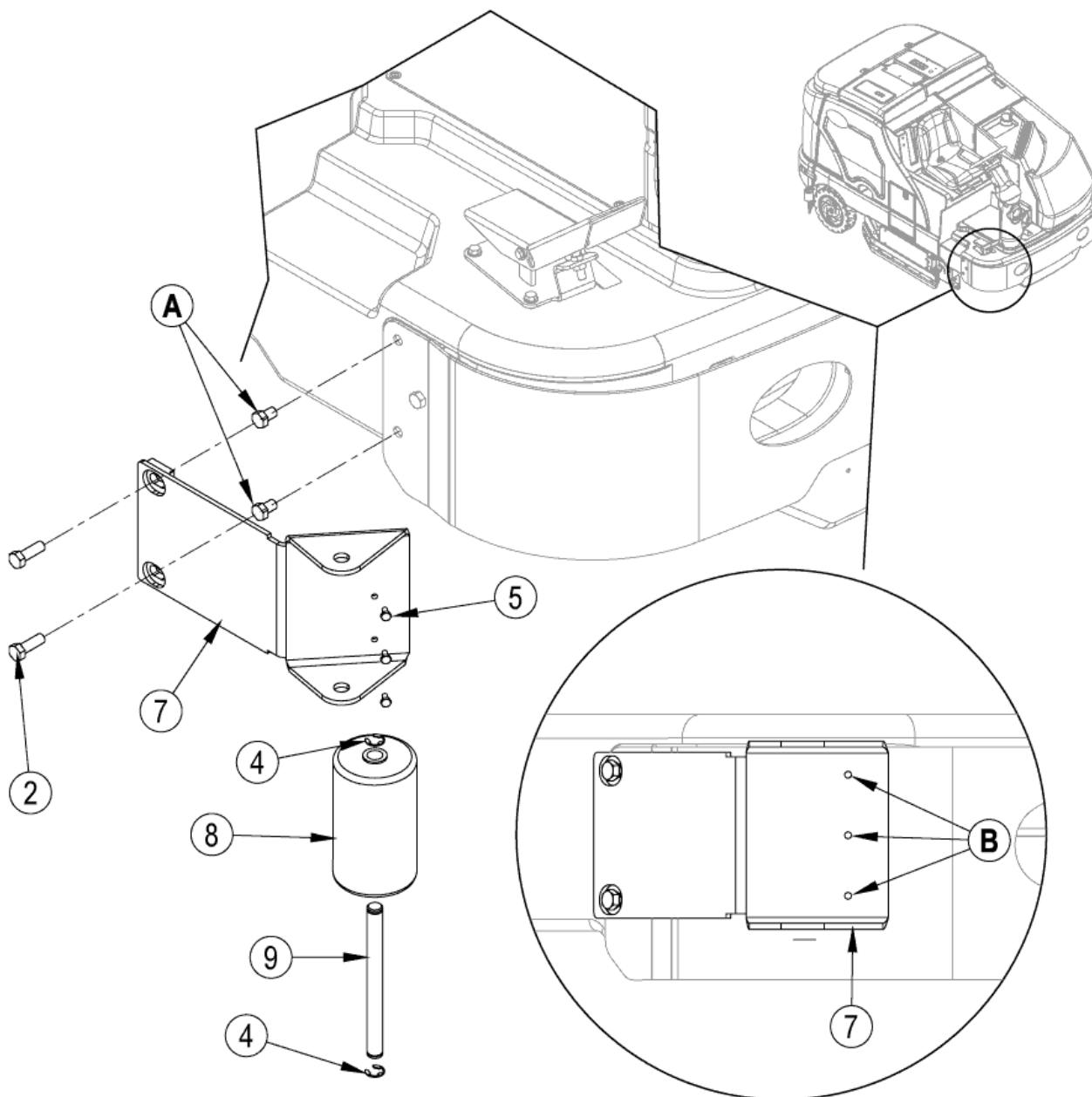
2013.04.02

<b>Pos.</b>	<b>Product no</b>	<b>QTY</b>	<b>Description</b>	<b>Notes</b>
00	56111535	1	DELUXE SEAT KIT	
01	56001939	8	WSH FLT SAE 5/16	
02	56002956	4	SCR HEX LOC 5/16 18 X .75	
03	56002856	4	NUT HEX NYL LOC SS 5/16-18	
04	56110272	1	PLATE SEAT MOUNT	
05	56111539	1	SEAT DELUXE	
06	56009122	4	WSH FLT .344X.938X.125	



---

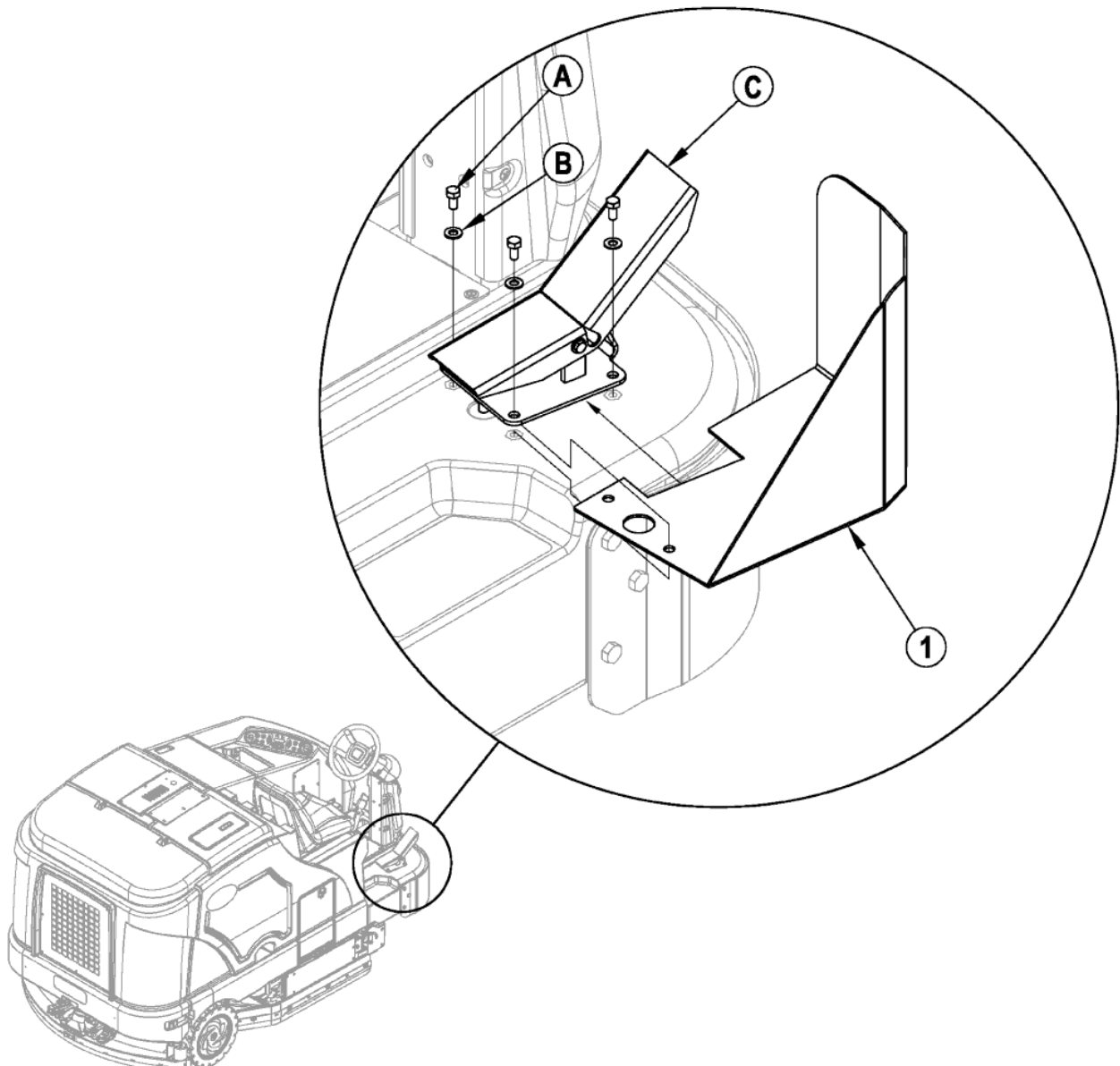
Pos.	Product no	QTY	Description	Notes
00	56111733	1	KIT HORN SWITCH	
02	56111734	1	HARNES HORN SWITCH	
03	8-82-00024	1	HORN PUSH BUTON	



Pos.	Product no	QTY	Description	Notes
01	56002680	1	SCR HEX 1/2-13 X 2.75	
02	56002954	2	SCR HEX LOC 1/2-13 X 1.50	
03	56002961	1	1/2-13 X 4 BOLT	[1]
04	56003266	2	RING RET EXT TYPE E	
05	56009018	3	SCR HEX THD FORM 1/4-20X .75	
06	56090002	1	INSTRUCTION SHEET	[2]
07	56111847	1	ROLLER BRACKET WELDT	
08	56409335	1	BUMPER ROLLER	
09	56409336	1	PIN	

## Part Notes:

- [1] - GUARANTEE DATE EXPIRED
- [2] - SEE MI-SP-007



Resource notes:

DISCONNECT BATTERY BEFORE SERVICING. 1 Remove the (3) Screws (A) and Washers (B) and lift the Foot Pedal Assembly (C) up enough to slide the Foot Guard (1) under it. 2 Reinstall the (3) Screws (A) and Washers (B).



# 56111873 - FOOT GUARD KIT

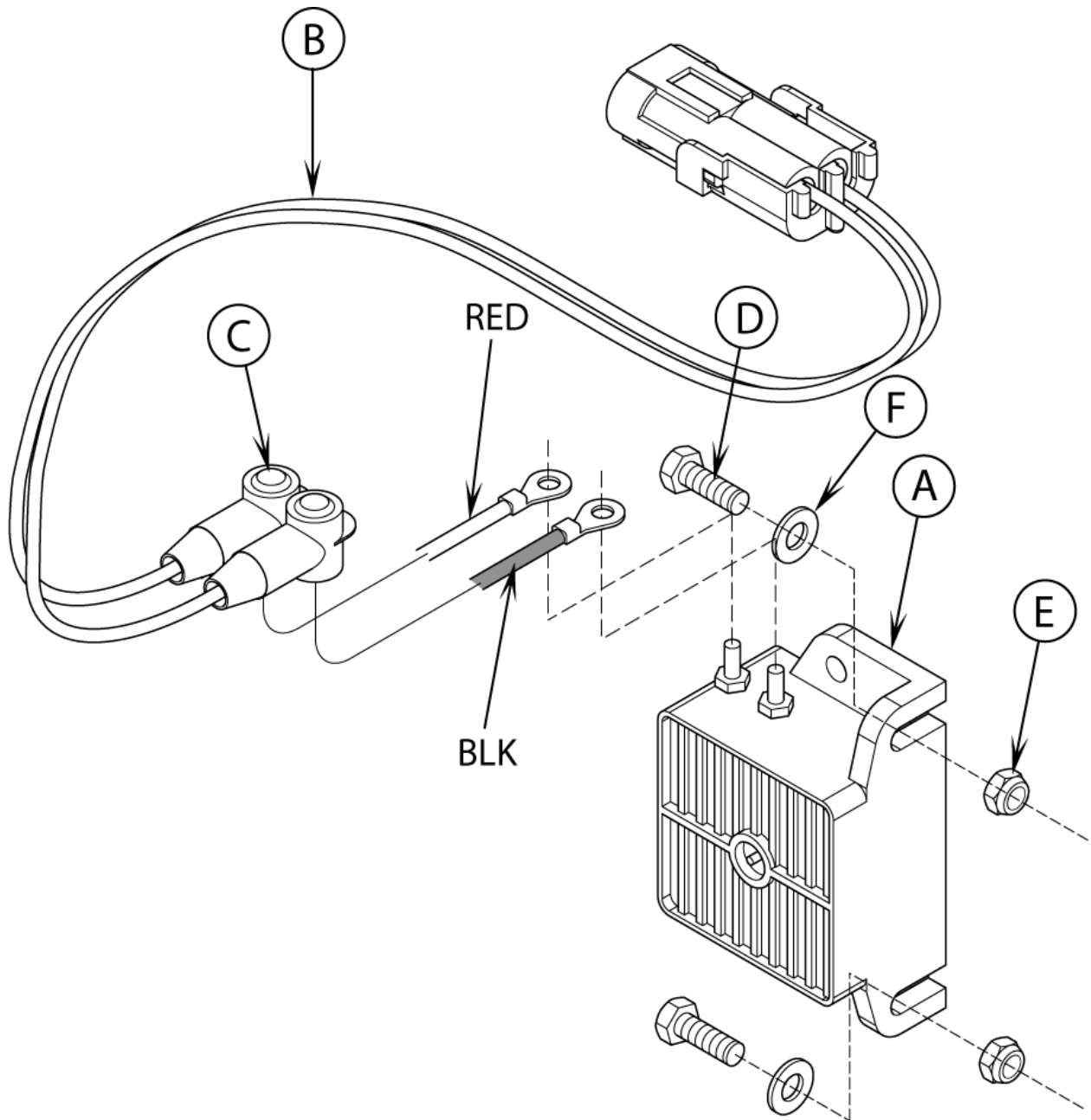
SC8000 1300 LPG NIL

2015.05.19

2013.04.02

---

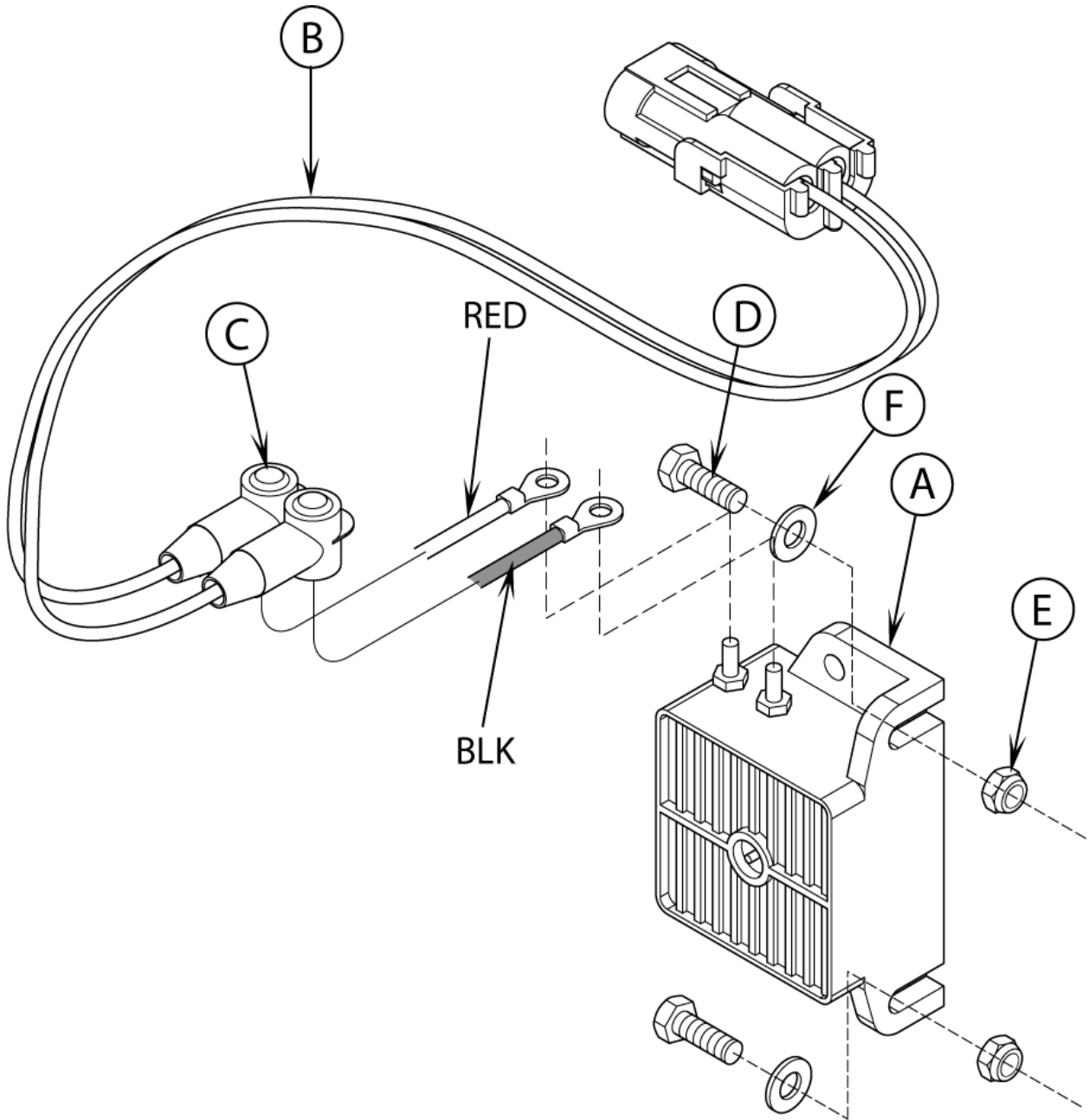
<b>Pos.</b>	<b>Product no</b>	<b>QTY</b>	<b>Description</b>	<b>Notes</b>
00	56111873	1	FOOT GUARD KIT	



---

Pos.	Product no	QTY	Description	Notes
00	56305519	1	BACK UP ALARM KIT	
0A	56409232	1	OVERHEAD GUARD OPTION	
0B	56409495	1	WIRE ASSY. PIGTAIL	
0C	56409538	2	TERMINAL INSULATOR	
0D	56009018	2	SCR HEX THD FORM 1/4-20X .75	
0E	56002708	2	NUT HEX NYL LOC 1/4-20	
0F	56002098	2	WSH FLT SAE 1/4	

---



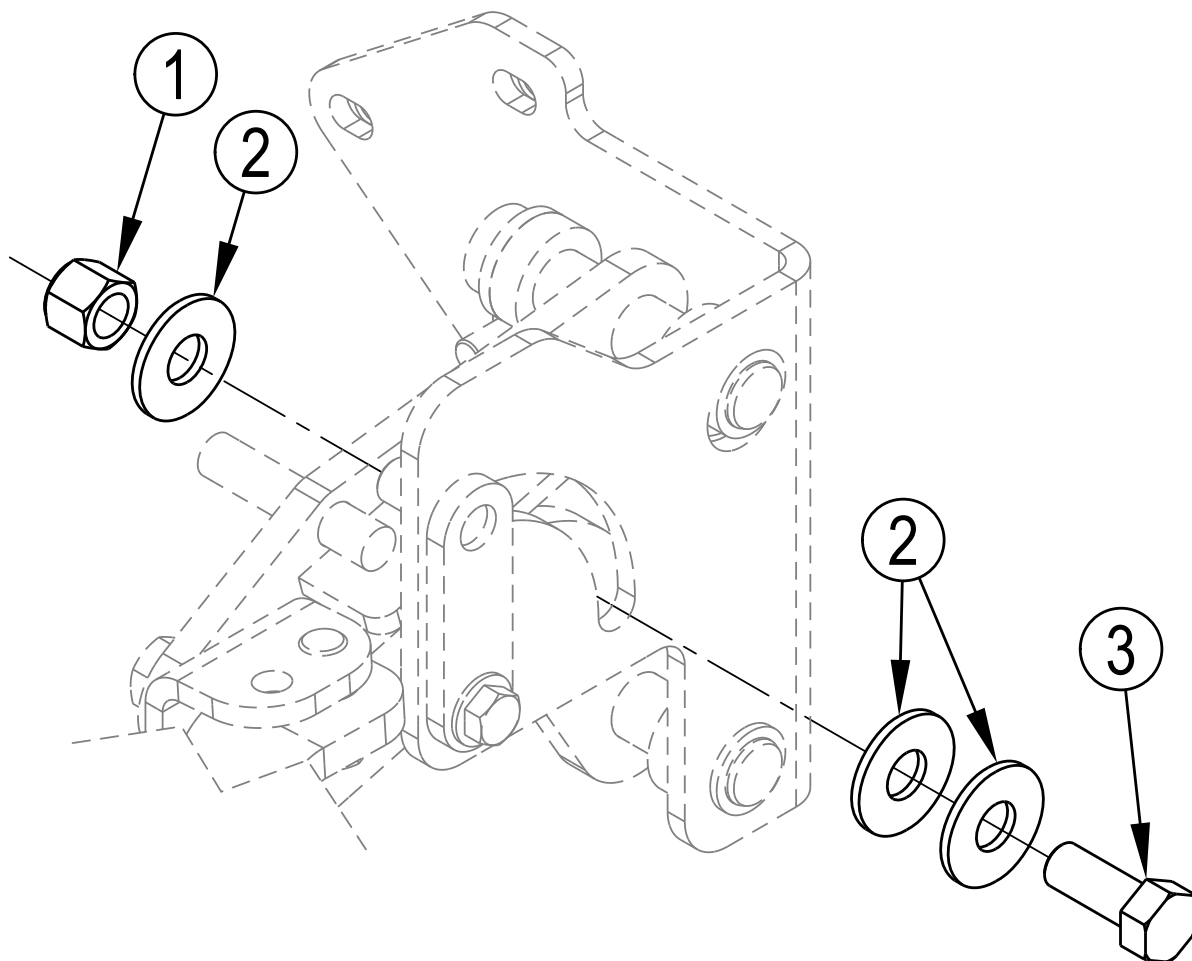
# 56305519 - Back-up Alarm Kit

SC8000 1300 LPG NIL

2015.05.19

2013.04.02

<b>Pos.</b>	<b>Product no</b>	<b>QTY</b>	<b>Description</b>	<b>Notes</b>
00	56305519	1	BACK UP ALARM KIT	
0A	56409232	1	OVERHEAD GUARD OPTION	
0B	56409495	1	WIRE ASSY. PIGTAIL	
0C	56409538	2	TERMINAL INSULATOR	
0D	56009018	2	SCR HEX THD FORM 1/4-20X .75	
0E	56002708	2	NUT HEX NYL LOC 1/4-20	
0F	56002098	2	WSH FLT SAE 1/4	



# 56383993 - SKIRT STOP KIT

SC8000 1300 LPG NIL

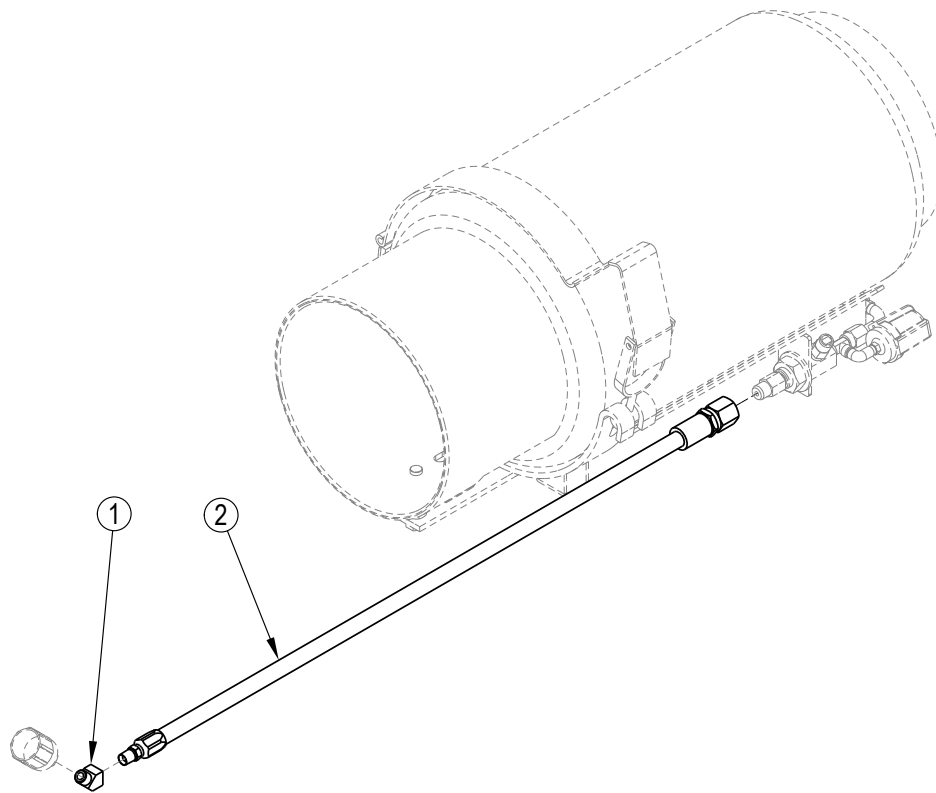
2015.05.19

2014.08.07

Pos.	Product no	QTY	Description	Notes
	56383993	1	SKIRT STOP KIT	
1	56002846	2	NUT HEX NYL LOC SS 1/2-13	
2	56002892	6	WSH FLT STD SS 1/2	[1]
3	56002904	2	SCR HEX SS 1/2-13 X 1.25	

Part Notes:

[1] - EXPIRED 20.03.12





# 56384523 HOSE-LP KIT

SC8000 1300 LPG NIL

2015.05.20

2015.06.16

Pos.	Product no	QTY	Description	Notes
0	56384523	1	HOSE-LP KIT	[1]
1	56368938	1	ELBOW ST 1/4X45 BR E00029	
2	56384522	1	HOSE-LP 1/4 NTPF X 5/8-18 35LG	

## Part Notes:

[1] - TSB-FC-2015-019 SC8000 Propane Hose Fitting Leak



**We supply a full range of cleaning equipment for rental or purchase.**

**For more information, or a cleaning solution to suit your business, please get in touch –**

For a more comprehensive product range, please visit our website.



**Address**

Berrington House,  
Berrington Road,  
Leamington Spa  
CV31 1NB

**Contact**

t: 0845 33 77 695  
f: 0845 33 78 695  
e: [info@c-ind.co.uk](mailto:info@c-ind.co.uk)

[www.crescentindustrial.co.uk](http://www.crescentindustrial.co.uk)