

**HUUVAN**

Creating Clean, Protecting Health

**HV220-ACS(C50)**

# INDUSTRIAL VACUUMS

# PARTS

# LISTS &

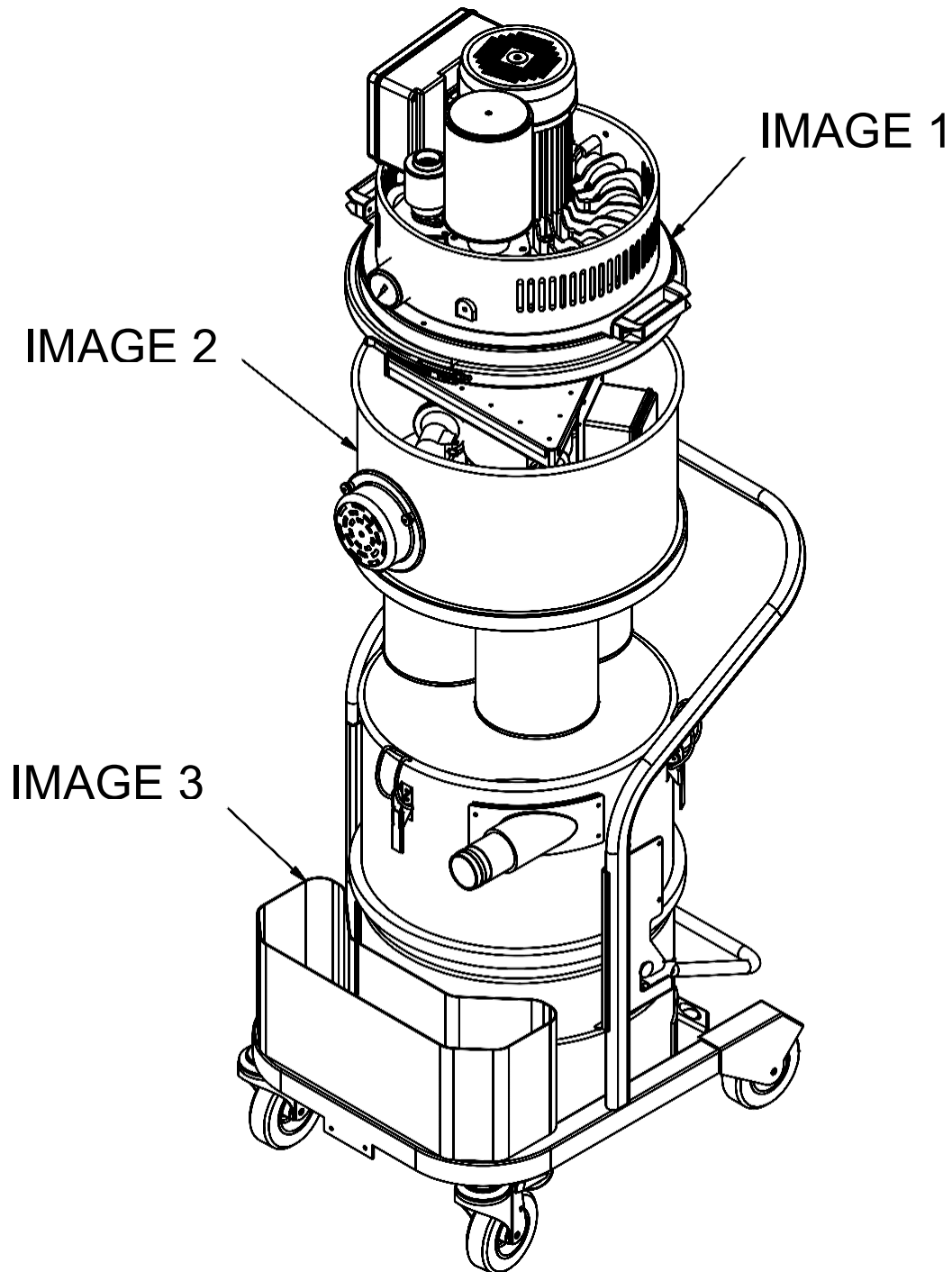
# DIAGRAMS



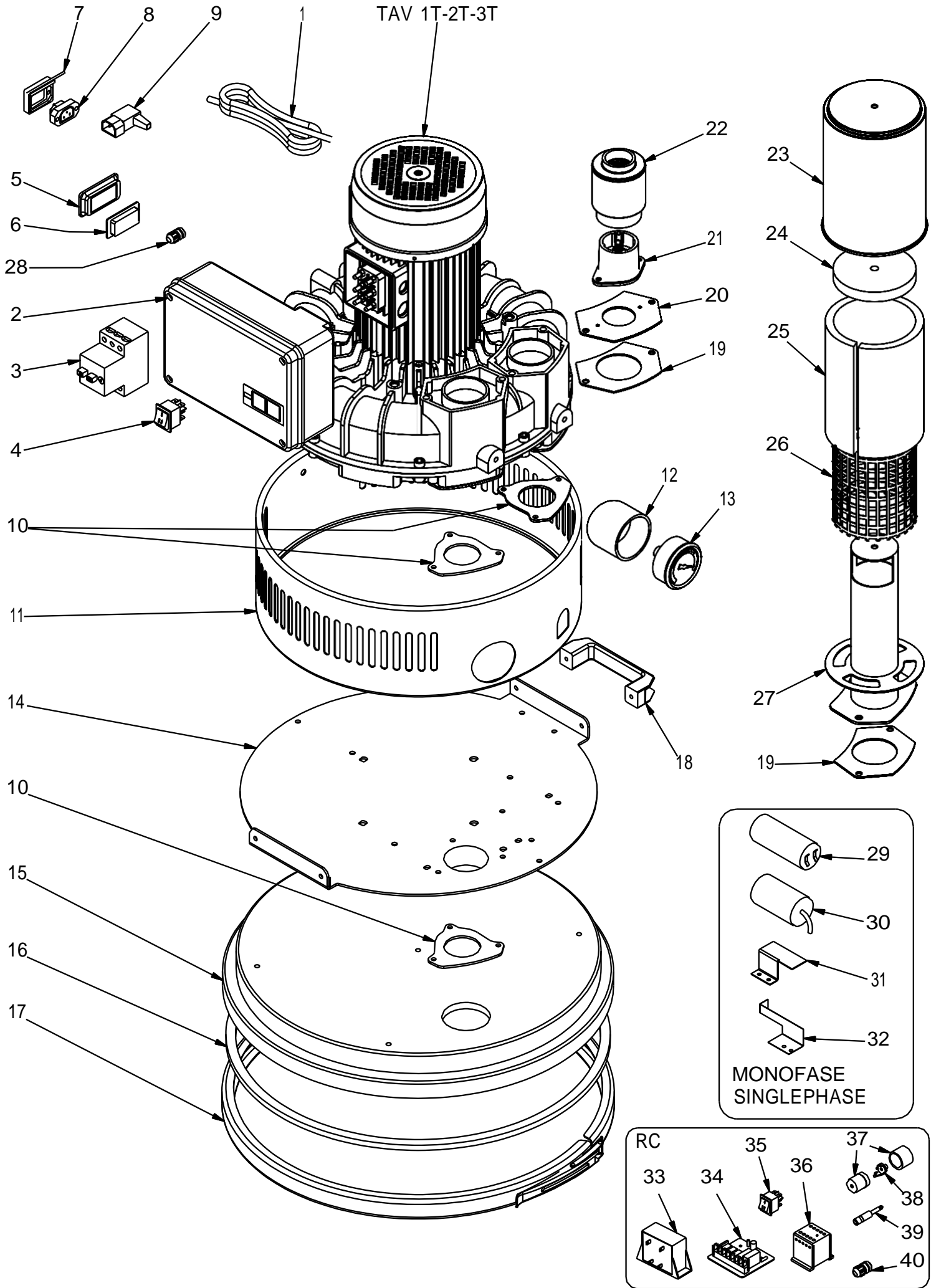
# HV220-ACS (C50)

## Huuvan Vacuum

Parts Diagrams & Spares Lists



TAV 1T-2T-3T



29  
30  
31  
32

MONOFASE  
SINGLEPHASE

RC

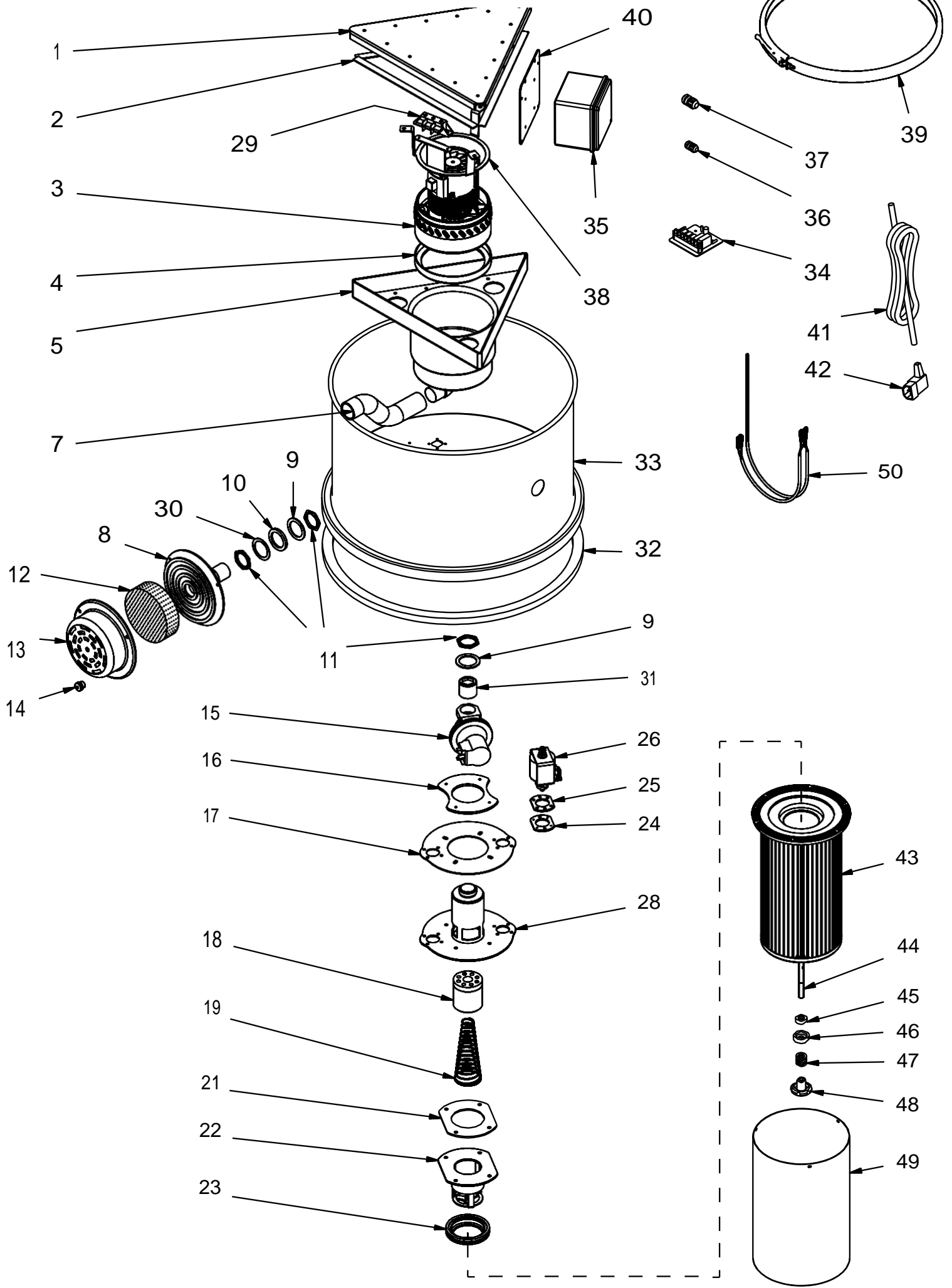
33  
34  
35  
36  
37  
38  
39  
40

HV220-ACS (C50) Parts Guide – Vacuum Head  
Parts List

Position Number	Code	Description
1	152304	Three Phase Power Cable 4x 4.5
	074003	3x 2.5 Single-Phase Turbine Power Cable
2	360200	Switch Box
	3602EX	ATEX Switch Box
3	1T0000	Circuit Breaker
4	161300	16 Amp Toggle Switch
5	0744EX	ATEX Protection Switch
6	0745EX	ATEX Protection Cover / Sheath
7	360700	Socket Protection
8	360800	Jack
9	360900	Plug
10	2T37-440	440 Gasket for Front Cover
11	361114	Single Stage Heat Protection Round H140
12	070200	Ø60 Rubber Tube Vacuum Gauge
13	070300	Vacuum Gauge
14	361400	Plate
15	361500	Cover
	3615EX	AISI 304 Lid
16	111300	Under-Head Gasket
17	140100	Ø500 Lever Ring
18	151700	Handle 6333550
19	2T10-409	Gasket
20	2T34-438	Perforated Plate for Limiting Valve 438
21	2T413ACM	Suction Limit Valve
22	2T31-410	Valve Silencer 410
23	073500	Silencer Case
24	073600	Foam Disk Silencer Ø105 sp.15
25	073700	Foam Silencer 370X170X15
26	073800	Silencer Mesh 320x175
27	073900	Flanged Pipe Silencer
28	380400	Protector / Gland ATEX PG13
29	2T4060	Single Phase Motor Capacitor 60pf
30	2T4140	Electronic Circuit Breaker
31	2T4200	Electrical Capacitor Fixing Bracket
32	2T4300	Electrical Capacitor Fixing Bracket
	RC	
33	393100	Transformer 400-230
34		Control Board 4099-2 <i>RP063001-110 110v Control Board</i> <i>RP063001-240 240v Control Board</i>
35	010600	Switch I-0-II
36	074600	Coil Contactor 230V
37	044900	Container
38	044700	Jack
39	363900	Connector Jack M
40	380400	Protector / Gland ATEX PG13

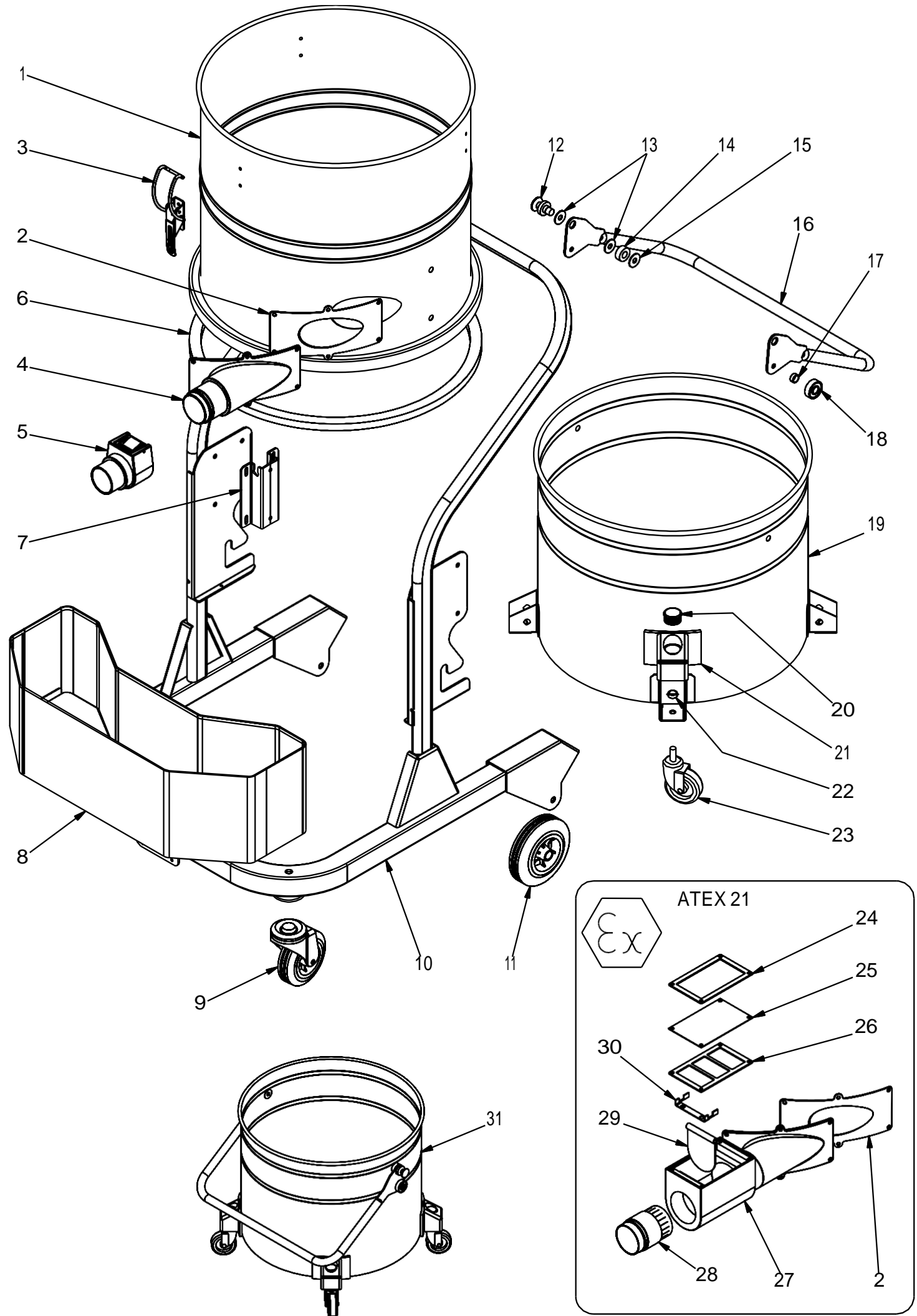
(IMAGE 2)

HV220-ACS (C50) Parts Guide – Vacuum Body  
Parts Diagram



HV220-ACS (C50) Parts Guide – Vacuum Body  
Parts List

Position Number	Code	Description
1	370100	Motor Box Cover
2	370200	Gasket
3	022700	Bypass Motor Pack 30 1000W
4	012100	Seal L
5	370500	Motor Box
6	370600	Protector / Gland PG13
7	370700	ø30 Spiral Tube
8	370800	Holder
9	051500	1" Gasket
10	051400	1" Seal Container
11	051200	1" Ferrule
12	371200	Motor Air Filter
13	371300	Filter Cover
14	272000	Cap Screw Fitting 6336010
15	371500	Solenoid Valve
16	061600	Manifold Intake Flange
17	063800	Manifold Intake Gasket
18	371800	Closing Suction Piston
19	371901	Coned Spring Piston
21	372100	Rubber Bottom Cork Seal Manifold
22	372200	Lower Intake Manifold
23	013300	ø60 Grommet
24	011400	6 Hole Countersunk Washer sp.3
25	011000	6 Hole Washer sp.3
26	010950	Vibrator 230V 50Hz
28	372801	Intake Manifold
29	012700	Terminal
30	051300	1" Washer
31	373100	1" Nipple
32	111300	Under-Head Gasket
33	373300	Container
	37330X	Container AISI 304
34	373400	Electronic Board 4182-1
35	373500	Electric Box
36	040700	Protector / Gland
37	373700	Protector / Gland
38	373800	Motor Bracket Fixing
39	140100	Lever Ring ø500
40	374000	Support Bracket Pad
41	074003	3x2,5 Single-Phase Turbine Power Cable
42	360900	Plug
43	121600	ø150 Filter
44	013600	Filter Support Rod / Guide H260
45	013700	Ring Seal
46	013800	Ring Seal Support
47	013900	Throttle Spring
48	014000	Filter Guide Stop
49	122000	ø150 Filter Case Protector
50	375000	Vibrator Feeding Cable



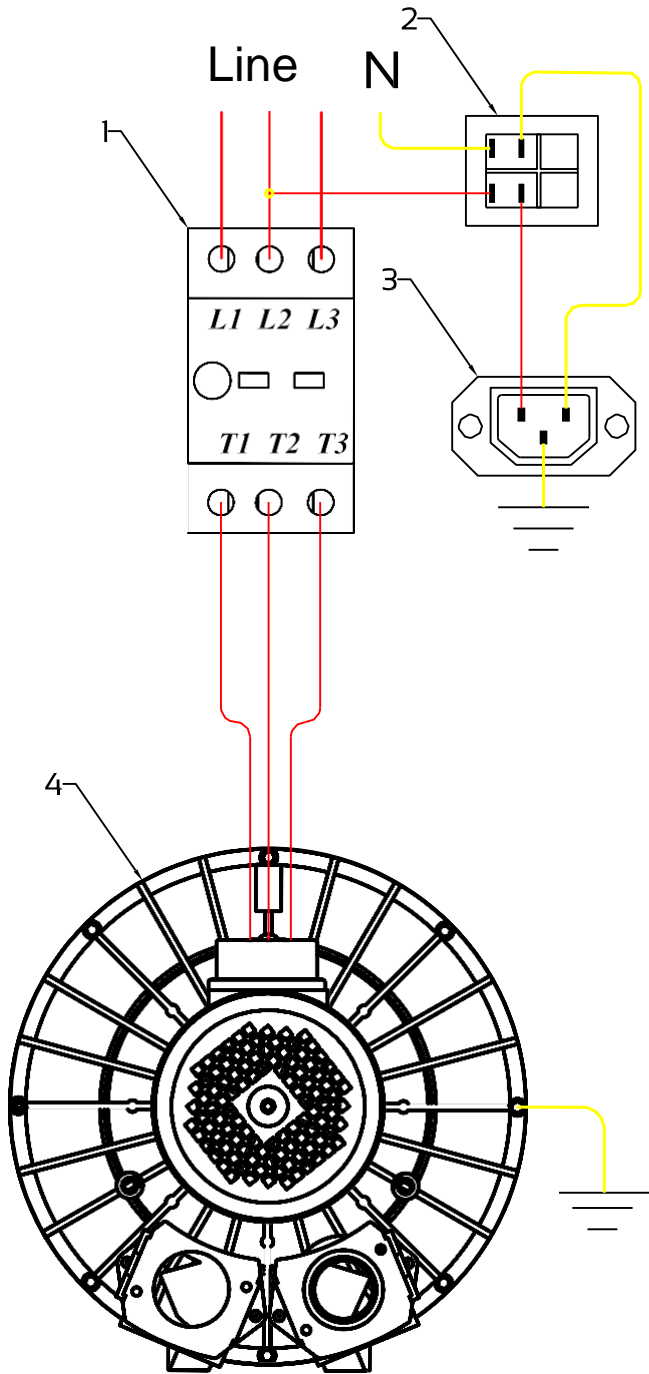
## HV220-ACS (C50) Parts Guide – Vacuum Base Parts List

Position Number	Code	Description
1	230100	H410 Maxi Filter Chamber
	23010X	H410 Maxi Filter Chamber AISI 304
2	030300	Tangential Seal
3	130300	Tank Hooks / Clips
4	130400	Hose Neck Connector
5	60-50 AL	Aluminum Machine Connection 60-50
	60-70 AL	Aluminum Machine Connection 60-70
6	111300	Under-Head Gasket
7	080800	Chamber Fixing Bracket
8	130800	Tools Department Metal Basket
9	081100	Swivel Wheels ø100
10	131000	Vacuum Frame
11	081300	ø120 Wheel
12	081400	End Coupling
13	081500	Nylon Washer 25x15x1,5
14	081600	Round Washer 25x12x10
15	081700	Rubber Cork Washer 25x10x2
16	131600	Barrel Lifting Handle & Hopper
17	081900	Round Brass Washer 12x8,5x10
18	082000	Bearing 6201RS
19	131900	Tank H360
	13190X	Tank AISI 304 H360
20	030800	Plug ø30
21	030700	Wheel Covers
22	030600	Round Washer 15x7
23	030500	Drum Wheels ø60
24	232400	Upper Membrane Frame
25	232500	Rubber Membrane
26	232600	Lower Membrane Frame
27	232700	Hose Connector
28	23280X	Stainless Steel Union Sleeve
29	232900	Hose Connector Flap
30	233000	Flap Support
31	133800CM	H360 Waste Container (inc. all components)
	13380XCM	H360 AISI 304 Waste Container (inc. all components)

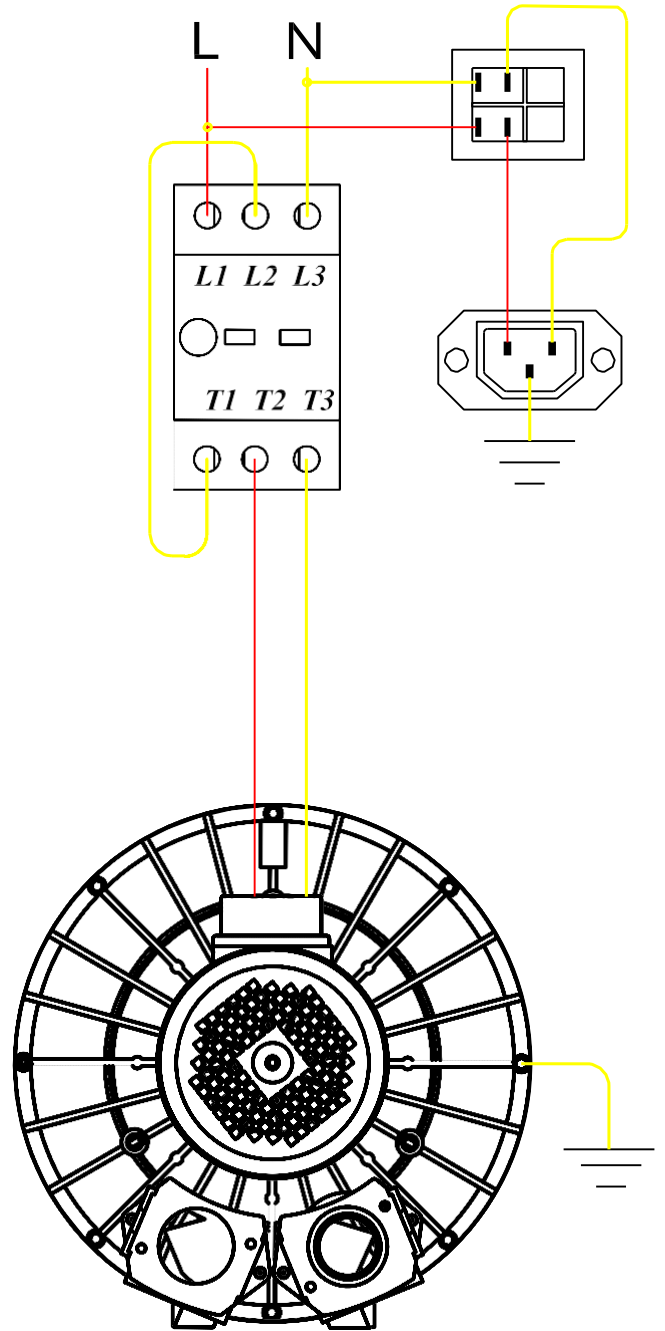


HV220-ACS (C50) Parts Guide – Wiring Diagram 16  
 Parts List & Diagrams

Three Phase



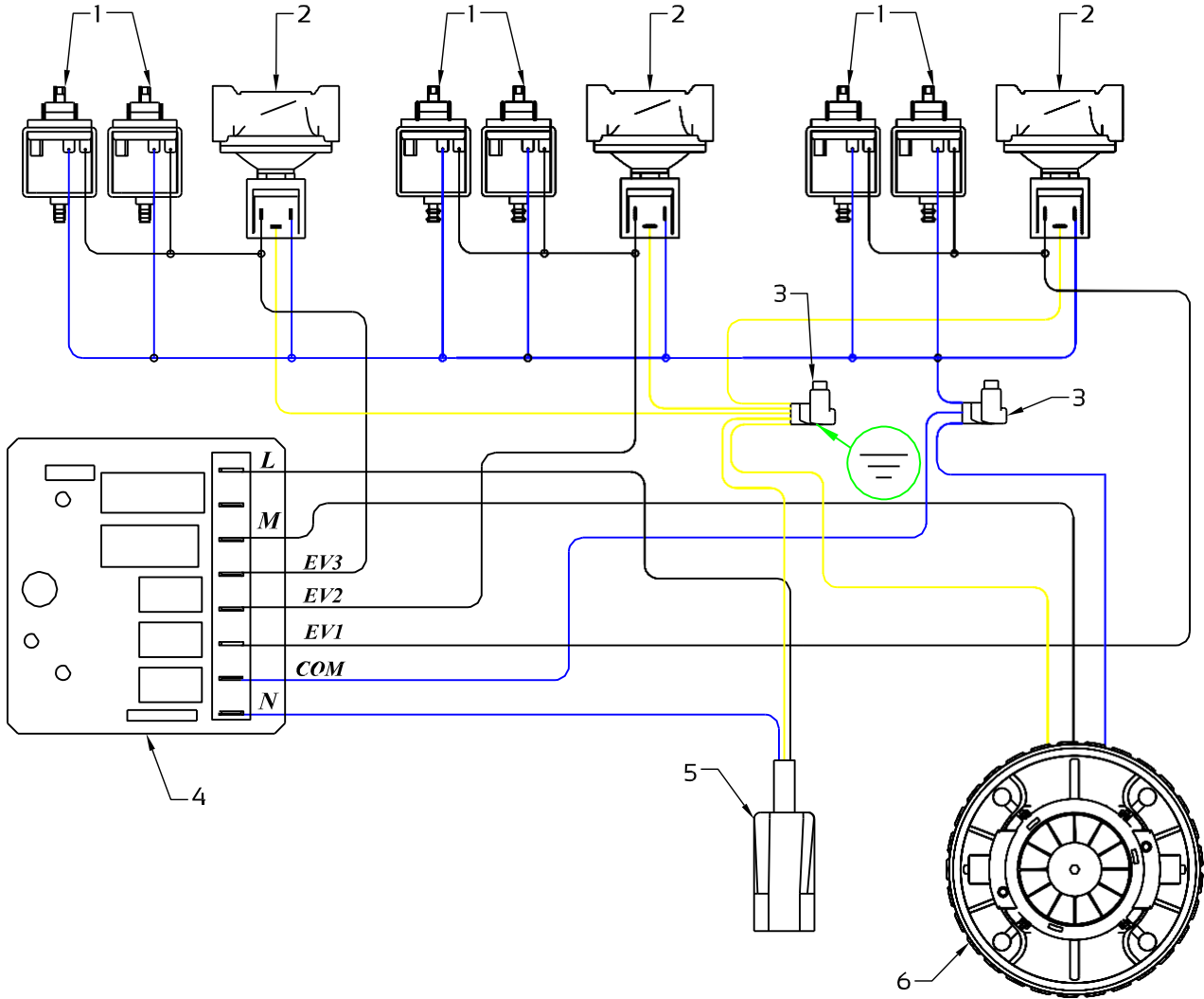
Single Phase



Parts List

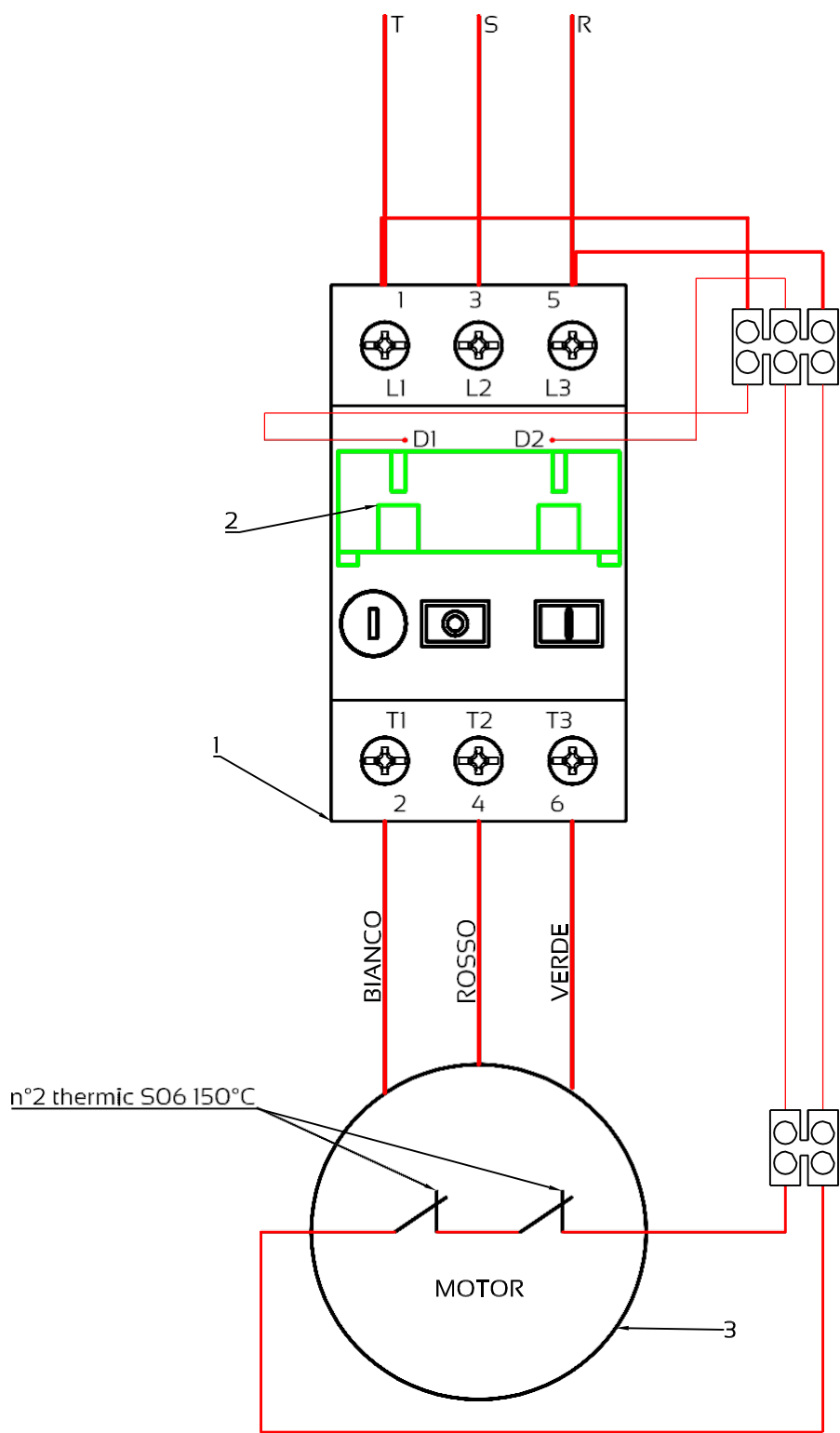
1	Thermal Magnet
2	Central Switch
3	Jack
4	Turbine Motor

HV220-ACS (C50) Parts Guide – Wiring Diagram 17  
 Electric Wiring Diagram of Components



Parts List	
1	Vibrator
2	Solenoid Valve
3	Clamp
4	Control Board
5	Plug
6	Turbine Motor

HV220-ACS (C50) Parts Guide – Wiring Diagram 31  
 Motor Protection Switch - Coil Minimum Voltage



n°2 thermic S06 150°C

Parts List	
1	Thermal Magnet
2	Minimum Coil
3	Turbine Motor



**We supply a full range of cleaning equipment for rental or purchase.**

**For more information, or a cleaning solution to suit your business, please get in touch –**

For a more comprehensive product range, please visit our website.

---

**Distributed by:**



**Address**

Crescent Industrial Ltd  
Berrington House,  
Berrington Road,  
Leamington Spa  
CV31 1NB

**Contact**

t: 0845 33 77 695  
f: 0845 33 78 695  
e: [info@c-ind.co.uk](mailto:info@c-ind.co.uk)

[www.crescentindustrial.co.uk/huuvan/](http://www.crescentindustrial.co.uk/huuvan/)