



HUUVAN

Creating Clean, Protecting Health

HV220-ACS(C50)

INDUSTRIAL VACUUMS

USER AND MAINTENANCE BOOK



01. INTRODUCTION

This use and maintenance manual will set out the guidelines and procedures that must be followed by those operating this equipment in order to guarantee:

- Operators' safety
- Correct use of the machine
- Optimum performance



IT IS NECESSARY THAT THE AUTHORISED PERSONNEL AND MACHINE OPERATOR HAVE READ AND UNDERSTOOD THE MANUAL BEFORE USING THE MACHINE.

Due to the importance of this information, we recommend that the operator:

- Always keeps this manual close at hand for easy consultation
- Keeps the manual in a safe place in order to prevent loss or damage
- Asks the manufacturer/supplier for a replacement copy in case of loss or damage
- Supplies this manual and the manufacturer's details together with the machine if it is sold to a third party.



N.B. IF THE PURCHASED VACUUM CLEANER IS ATEX RATED, THE TECHNICAL PLATE ATTACHED TO THE ENGINE HAS A SERIAL NUMBER THAT IS USED FOR REQUESTING A COPY OF THE CERTIFICATE IF THIS IS DETERIORATED OR LOST.

The manufacturer reserves the right to update its products and manuals and is not required to provide updated versions of the them.

02. WARRANTY

The vacuum cleaners manufactured for Huuvan have been fully inspected to guarantee correct electrical, pneumatic and mechanical function. The vacuum cleaners are covered by a 12-month warranty. All defective parts of the machine are covered by warranty but this does not include parts damaged during shipping, handling or use nor does it cover parts damaged by normal wear and tear.

Repairs can be carried out by an authorised service centre or directly by a Huuvan service engineer.

To request your warranty service you **MUST** send a written request to the dealer or directly to the manufacturer including the manufacturing details that can be found on a plate fitted inside your machine together with a copy of the invoice or proof of purchase.

The warranty is invalid under the following conditions:

- Improper use of the machine or total or partial failure to comply with the contents of this manual
- Any part of the vacuum cleaner is altered or modified in any way
- Incorrect electrical installation
- If the laws in the country of use are not respected
- Inadequate maintenance
- The machine has not undergone routine maintenance as specified in this manual
- Use of spare parts that are not produced by Huuvan or not specifically indicated for the model in use
- Partial or total failure to comply with the instructions given in this manual

03. UNINTENDED USE

- Never suck up cigarette butts that have not been properly put out and/or any other flammable materials
- Never suck up substances that may explode in contact with the air
- Never operate in environments where explosive gases and/or gases from toxic chemical products are present in the air
- Check the suitability of the cartridge filter before sucking up toxic substances
- Disconnect from the power outlet before accessing any electrical components of the machine
- Do not modify the machine in any way
- Do not use the machine in a way that does not comply with the requirements of this manual

04. MACHINE DATA

4.1 TECHNICAL DATA PLATE

Every Huuvan vacuum cleaner carries a registration plate showing essential details that are necessary when contacting the supplier/manufacturer for advice, suggestions or information on spare parts. The following details are included on the plate:

- Manufacturer
- Model
- Supply voltage
- Installed rated power
- CE symbol (built in compliance with Machinery Directive 2006/42/EEC)

4.2 TESTING

All Huuvan vacuum cleaners are tested before packaging and delivery in order to ensure the correct function of each component. An accurate electrical safety test is carried out in compliance with specific electric safety standards related to:

- Ground continuity test
- Insulation resistance test between every phase and the ground
- Dielectric test
- Measurement of dispersed current
- Measurement of power and absorbed current (acceptable difference of +/-10% of rated value)
- Measurement of maximum depression and air exhaust values (tolerance of +/-15% based on temperature values and humidity of environment)
- Measurement of maximum air absorption

4.3 SAFETY DEVICE

The vacuum cleaner has been manufactured in compliance with all legal standards for the operator's safety.

- All metal components are grounded to eliminate shock or electrostatic discharge, including the flexible suction hose that is properly grounded. also in this regard the choice of a suitable flexible suction hose allows to eliminate this risk on the hose length that goes from the use area to the vacuum cleaner.
- The brakes fitted onto the anterior pivoting castors safely fix the machine in its place of use where there may be a risk of movement due to uneven floor surfaces or other particular working conditions.



BEFORE USING THE MACHINE CHECK THAT THE MACHINE HAS NOT SUFFERED ANY SHOCKS OR DAMAGES DURING THE TRANSPORT THAT AN AFFECT THE OPERATION OF THE ABOVE DEVICES

05. PERFORMANCE TOLERANCES

The performance of the turbine may vary by 15% based on the temperature and air humidity.
The safety valves are calibrated based on the amperage of the turbine.

06. SAFETY PROVISIONS

- Carefully read the instructions in this manual before starting, using, servicing or operating the vacuum cleaner
- Check that the vacuum cleaner hasn't been damaged in any way
- Never turn on the machine if it is faulty or if you suspect it is faulty
- Check that the switch isn't worn or damaged
- Do not approach the suction intake of the machine with unfastened or broken garments that could easily be sucked into the machine
- Check that the filters are present and efficient
- Make sure that the filters are installed correctly and in full working order, always observing the regulations in force in the workplace
- Do not carry out repairs without the manufacturer's authorisation
- Never use gasoline, solvents or other flammable liquids for cleaning; only proper detergents should be used for cleaning
- Never move the machine by pulling the power cable or flexible hose
- Never direct the opening of the machine or the flexible tube towards people or animals
- Protect the machine from the rain
- Check that the machine is connected to a power source with the correct voltage indicated on the registration plate
- Make sure that the power cable has no wear or damage. if replacing the cable, always replace it with another of the same specifications as the original one: cables that are not approved or of inferior quality may overheat and cause serious injury to the user
- Make sure that the machine is connected to an appropriate power source in full working order (check the presence of a fully functional grounding socket)
- Repairs must only be carried out by authorised personnel and only when the machine is turned off and disconnected from the power source
- Never allow unauthorised personnel to use the machine
- Make sure that all safety devices are in full working order before turning on the machine
- Never cover the vacuum cleaner during use

07. INSTALLATION

7.1 DELIVERY AND HANDLING

All machines are carefully tested and checked by a Huuvan service engineer before delivery. The machine is transported in a protective film that allows the courier to see the item during transport and is securely fixed to a pallet. If any part of the machine is not intact or has been damaged during transport, fill in an immediate complaint with the courier. Parts that have been damaged or broken due to incorrect transport or handling of the machine will not be acknowledged by the warranty of the manufacturer. The machine must be lifted and moved using a forklift truck in accordance with the relevant safety regulations in force in the workplace.

7.2 CHECK THE PROPER ELECTRICAL CONNECTION

Connect the industrial plug to the power cable and connect the plug to a socket that has the same amp rating and is protected by a line-isolating switch; in the case of the three-phase vacuum cleaner, it is necessary to check before use that the motor rotates in the correct direction (clockwise) as shown by the die-cast indicator on the turbine; if rotation occurs in an anti-clockwise direction, it is necessary to disconnect the machine from the power source, invert one of the three phase cables inside the plug and check again for correct rotation

08. PERIODICAL MAINTENANCE

Maintenance and cleaning operations must ALWAYS be carried out when the vacuum is turned off and disconnected from the power source. No particular measures must be taken for the maintenance, cleaning or lubrication of the suction unit. However, it is important to remember that correct use and servicing are essential if the safety and efficiency of the vacuum are to be guaranteed.

To ensure regular and constant operation and to prevent the warranty from becoming void, always use genuine Huuvan spare parts when repairs are needed.

8.1 BEFORE TURNING ON AND TURNING OFF EVERY DAY

- Visually check that the suction hose has not been damaged in any way (it must not be damaged, torn, crushed)
- Check that the electrical switches are in full working order and are not damaged in any way
- Check the level of waste inside the main barrel N.B. Empty the main barrel if you are using an ATEX model empty the main barrel
- Check that the suction hose has not been damaged in any way
- Check that the motor head is correctly positioned on the filter chamber and that the latter is correctly placed on the main barrel
- If the vacuum cleaner is moved, ensure that the power voltage of the plug in this new location corresponds to the one on the technical data plate

8.2 AT EVERY 200 HOURS OF OPERATION

- Check the condition of the primary filter: it must not have tears, holes or other damage: in this case replace it (see 14.)
- Check that the technical data plate is legible and not damaged in any way: contact the manufacturer for a replacement if necessary



N.B. PERFORM THE FOLLOWING OPERATIONS AT EVERY 10 HOURS OF OPERATION IF THE VACUUM CLEANER IS AN ATEX MODEL

09. PRODUCT DISPOSAL

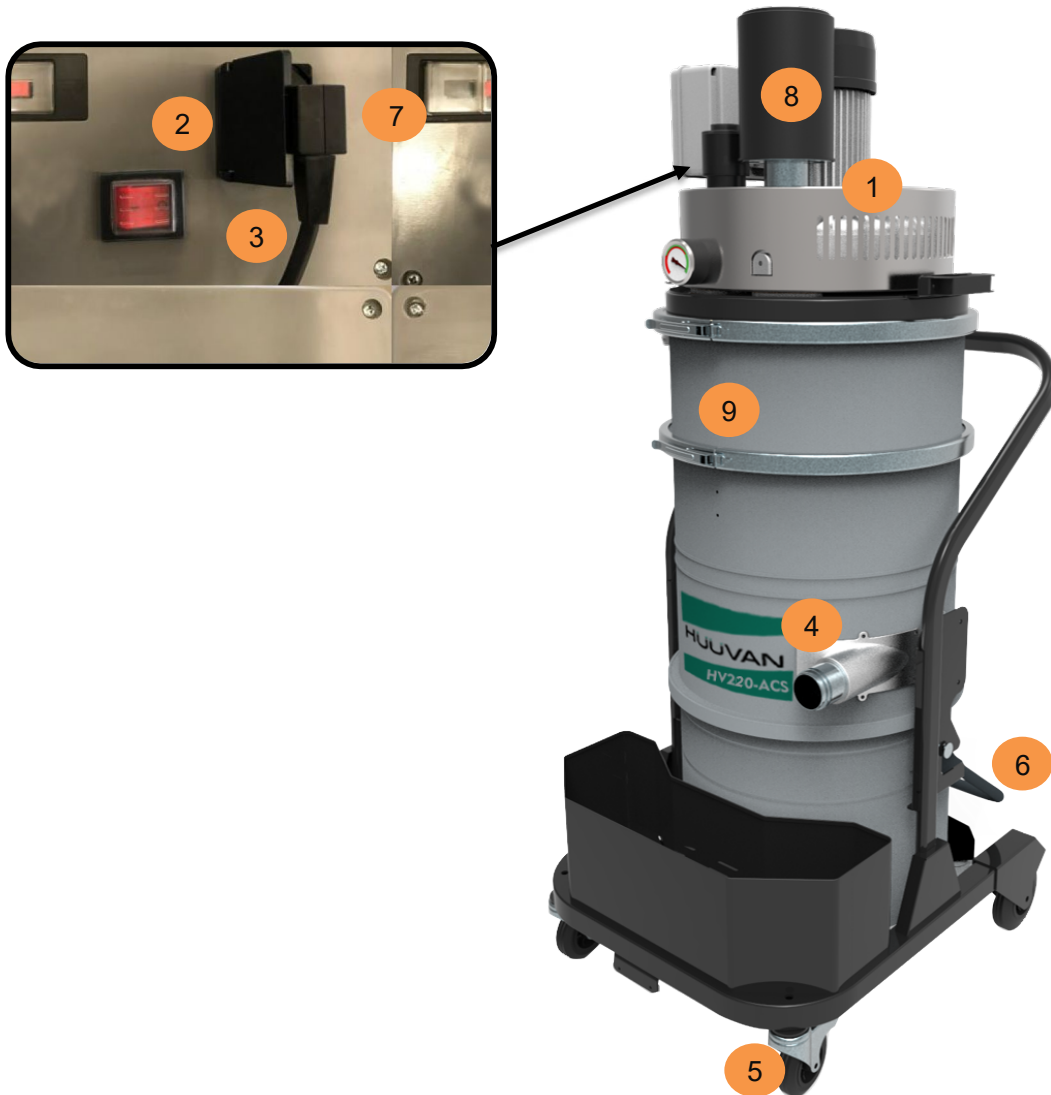
Dispose of the machine and any accessories according to the legislation of the country. To avoid affecting the environment or your health or of others it is recommended to separate the machine from other waste, and if necessary properly recycle it.

10. TECHNICAL DATA



Model	HV220-ACS (C50)	HV220-ACS (C50)
Code	HV220-ACS (C50) 230 V – 50 Hz	HV220-ACS (C50) 400 V – 50 Hz
Certificate	CE	CE
Motors	Turbine	Turbine
Power	2,2 kW	3 kW
Voltage	230 V – 50 Hz	400 V – 50 Hz
Filter cleaning	Automatic	Automatic
Filtration Class	HEPA	HEPA
Air flow rate	320 m3/h	320 m3/h
Depression	300 mBar	320 mBar
Useful Capacity	50 L	50 L
Dimensions	80x60x148 cm	80x60x148 cm
Inlet dimension	50 mm	50 mm
Tank diameter	460 mm	460 mm
Weight	105 Kg	105 Kg
Sound Pressure Level (ISO 11201)	< 78	< 78

11. DESCRIPTION



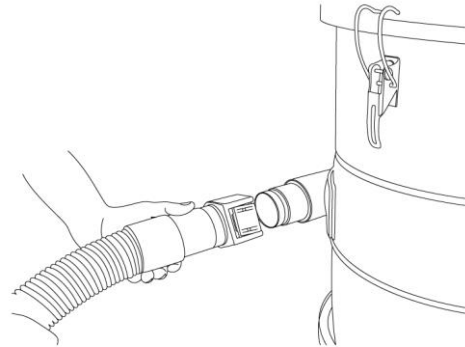
- 1 – Suction Unit**
- 2 – ON - OFF switch**
- 3 – Filter cleaning button**
- 4 – Accessories connection**
- 5 – Wheels with brake**
- 6 – Tank Release**
- 7 – Power Plug**
- 8 – Air exhaust**
- 9 – System clean filter**

12. MOUNTING OF PARTS

Depending on the specific needs of the client, the vacuum cleaner may include accessories that are not normally supplied in the standard version. It is necessary to select the suction hose and accessories that are appropriate for the type of material that must be sucked into the cleaner.

The machine is now ready for use.

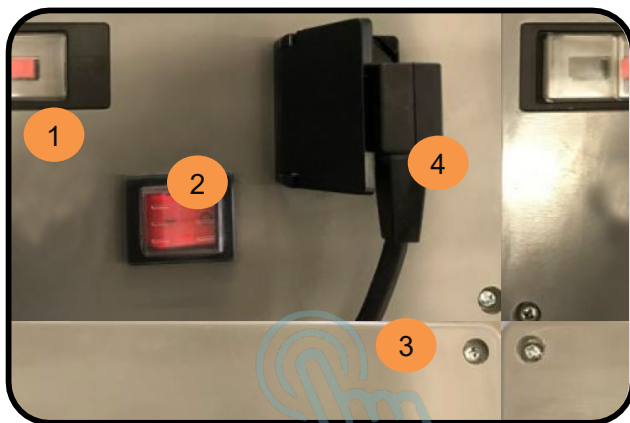
Connect one end of the flexible hose to the desired accessory and the other with the quick coupling nozzle mounted on the filter chamber. (See the accessories sheet)



13. USING THE VACUUM CLEANER

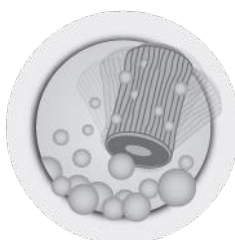


Before switching ON the vacuum cleaner, be sure the waste container is empty



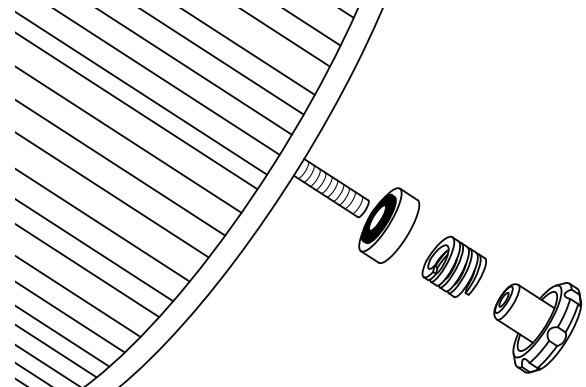
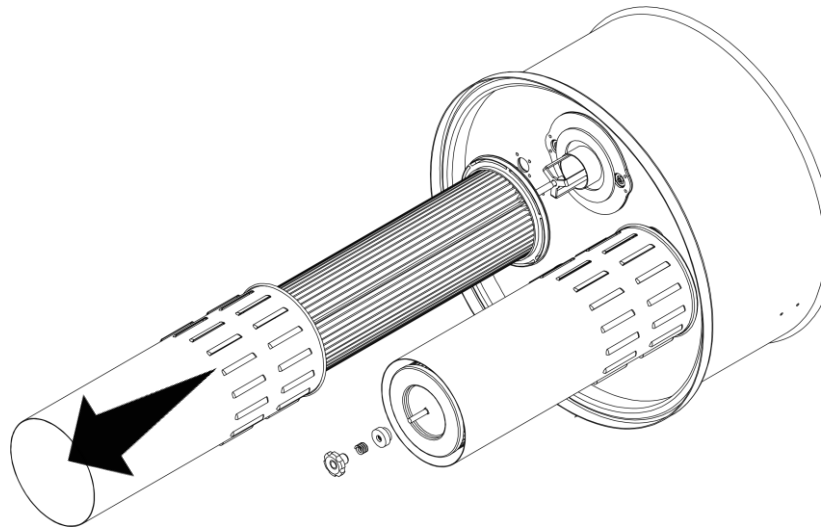
1. Suction ignition.
2. Suction shutdown.
3. Automatic filter cleaning ignition and shutdown.

Before machine start, check that the plug is connected and the switch (3) in position (I), turned ON.



If necessary, it is possible to force the cleaning of filtering system turn off and switch on again (3).
From position 0 to position I

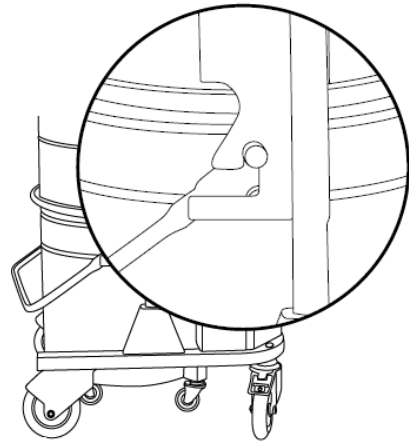
14. FILTER REPLACEMENT



1. *Disconnect and lift the head.*
2. *Remove the filter's cylindrical steel protection (unscrewing the screws on the edge).*
3. *Unscrew the wing nut and remove the spring and washer.*
4. *Replace the filter with a proper one for the vacuum cleaner in use.*
5. *Install the new filter according to the label on the bottom of the filter:*
 - *Washer with rubber part facing the base of the filter*
 - *Spring*
 - *Plastic wing nut*
6. *Mount the cylindrical protection, then reconnect the head on the filtering chamber.*

15. EMPTYING THE MAIN COLLECTING BARREL

- 1- Push the handle upwards and remove the barrel.
- 2- Empty the barrel.
- 3- Insert the attachment in "V" in its corresponding seat and slide the bearing on the rail by pushing down on the handle.



16. TROUBLESHOOTING

You can thus solve any problem that may occur.

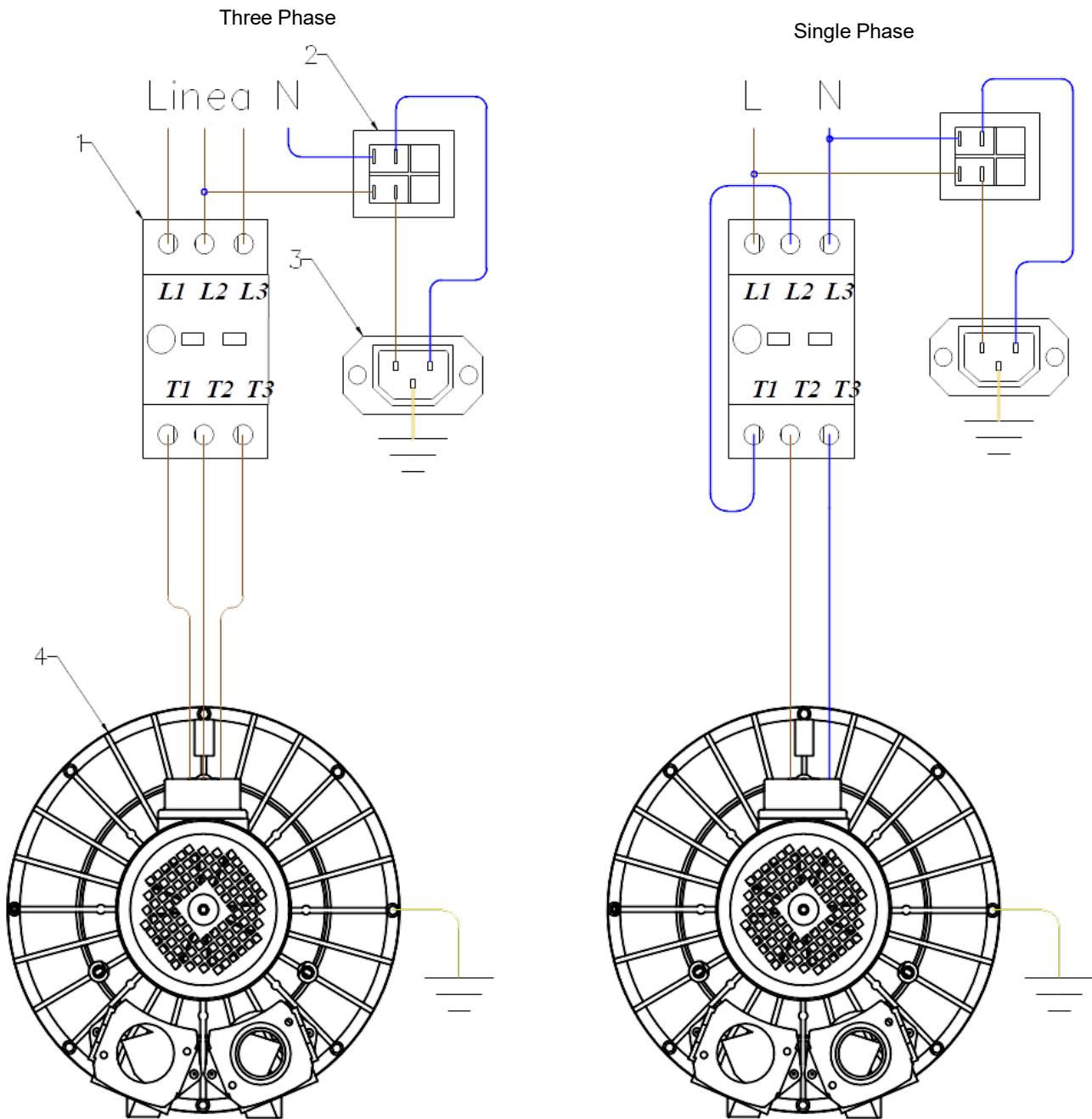
Motors do not start. ► No electrical voltage. ► Check cables, plugs and socket.

Suction capacity decreases slowly. ► Filter, nozzle, suction hose or suction pipe may be blocked. ► Check, clean accessories. Clean filter.

Dust comes out during the vacuuming. ► Filter has not been fastened correctly or is defective. ► Check to see if filter is sitting properly; replace if required.

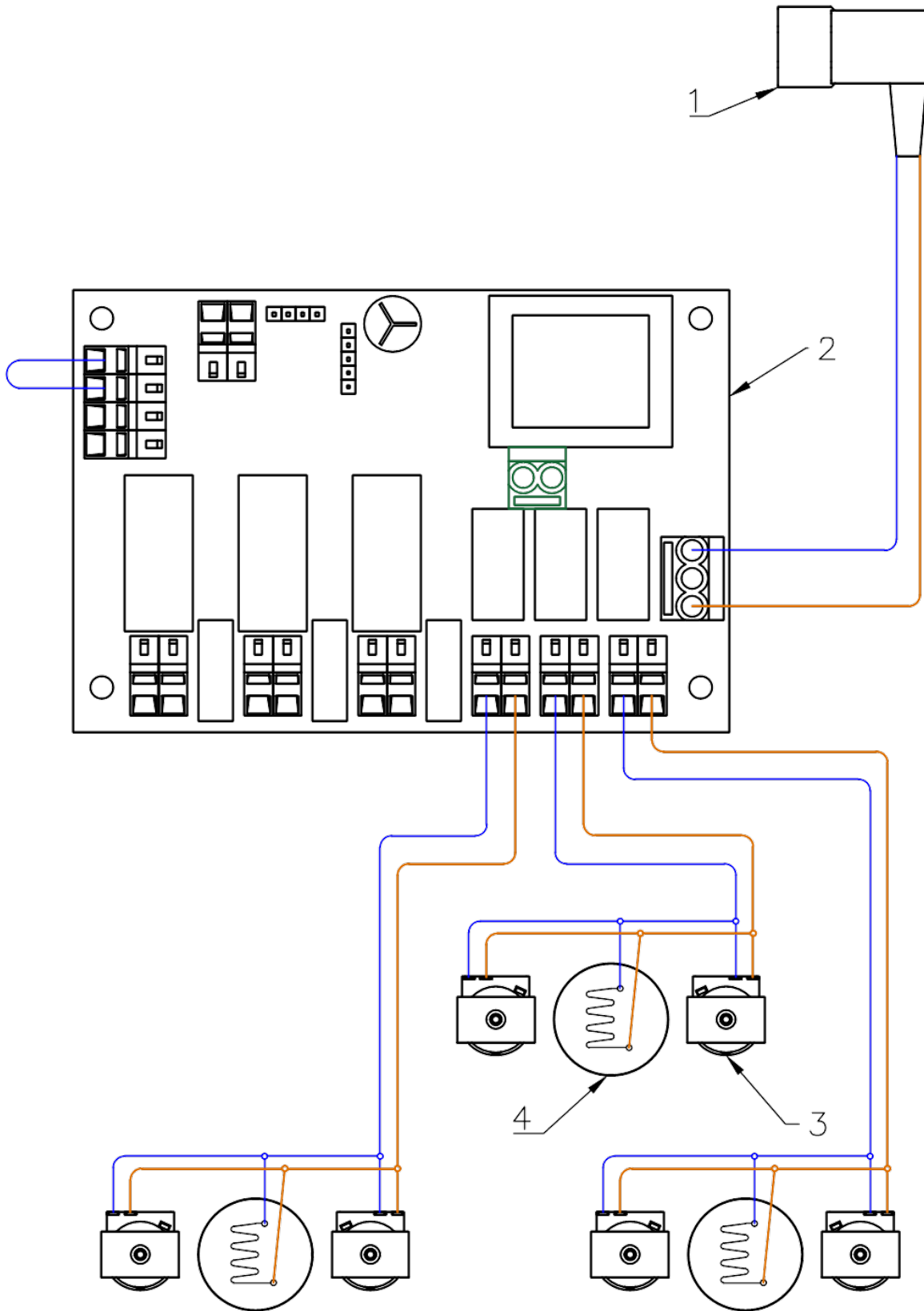
17. ELECTRIC DIAGRAM

Parts List & Diagrams - Wiring Diagram W16



- 1- STARTER
- 2- TOGGLE COMMUTATOR 1 -0
- 3- PLUG
- 4- MOTOR

18. ELECTRIC DIAGRAM




- 1- PLUG
- 2- ELECTRONIC CARD
- 3- VIBRATOR
- 4- SOLENOID

Notes

Notes

19. DECLARATION OF CONFORMITY

UNDER OUR SOLE RESPONSIBILITY THAT THE PRODUCT

Model	HV220-ACS (C50)
Made in	2019
Are in conformity with the undermentioned product's specifications :	<p>2006/42/CE <i>CE Machinery Directive</i></p> <p>2014/35/UE <i>CE Low Voltage Directive</i></p> <p>2014/30/UE <i>CE EMC Directive</i></p>
and relative amendments	
Harmonized norms :	<p>EN ISO 12100:2010 EN 60335-2-69 EN 55014-1:2006</p>
The manufacturer declares that the technical file of the equipment is kept at:	<p>Crescent Industrial Ltd Berrington House Berrington Road Leamington Spa CV31 1NB, UK</p>
This statement will expire automatically for:	
1- Changes to the equipment	
2- Non-compliance with instructions contained in the user and maintenance manual	
	Riccardo Bettella <i>Name</i>
	Presidente <i>Position</i>
	02-01-2019 <i>Date</i>
	 <i>Signature</i>



We supply a full range of cleaning equipment for rental or purchase.

For more information, or a cleaning solution to suit your business, please get in touch –

For a more comprehensive product range, please visit our website.

Distributed by:



Address

Crescent Industrial Ltd
Berrington House,
Berrington Road,
Leamington Spa
CV31 1NB

Contact

t: 0845 33 77 695
f: 0845 33 78 695
e: info@c-ind.co.uk

www.crescentindustrial.co.uk/huuvan/