

TOPFLOOR

SIMPLE, STRONG, SAFE

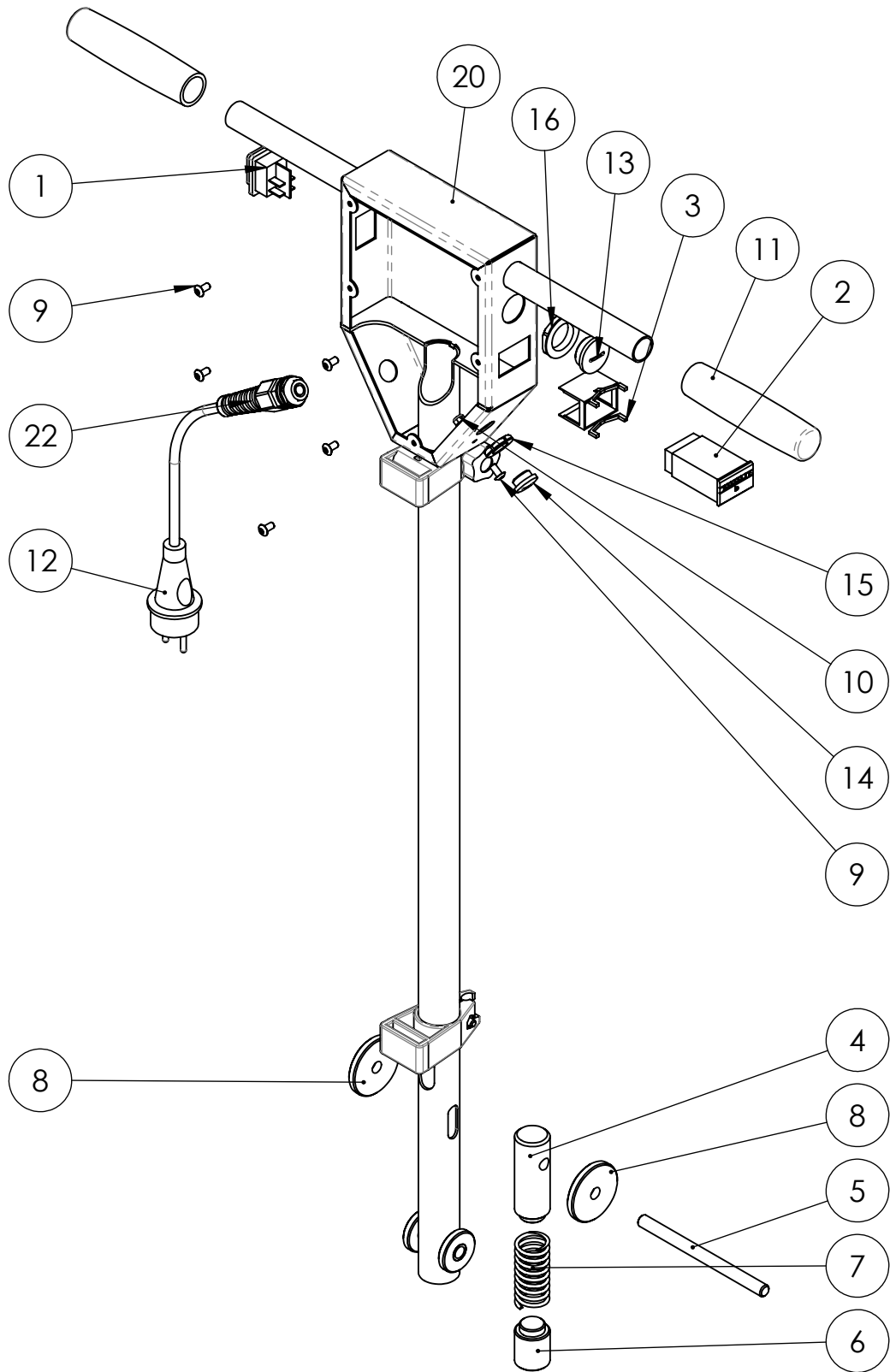
EX43-OCS

Parts Diagrams and Lists

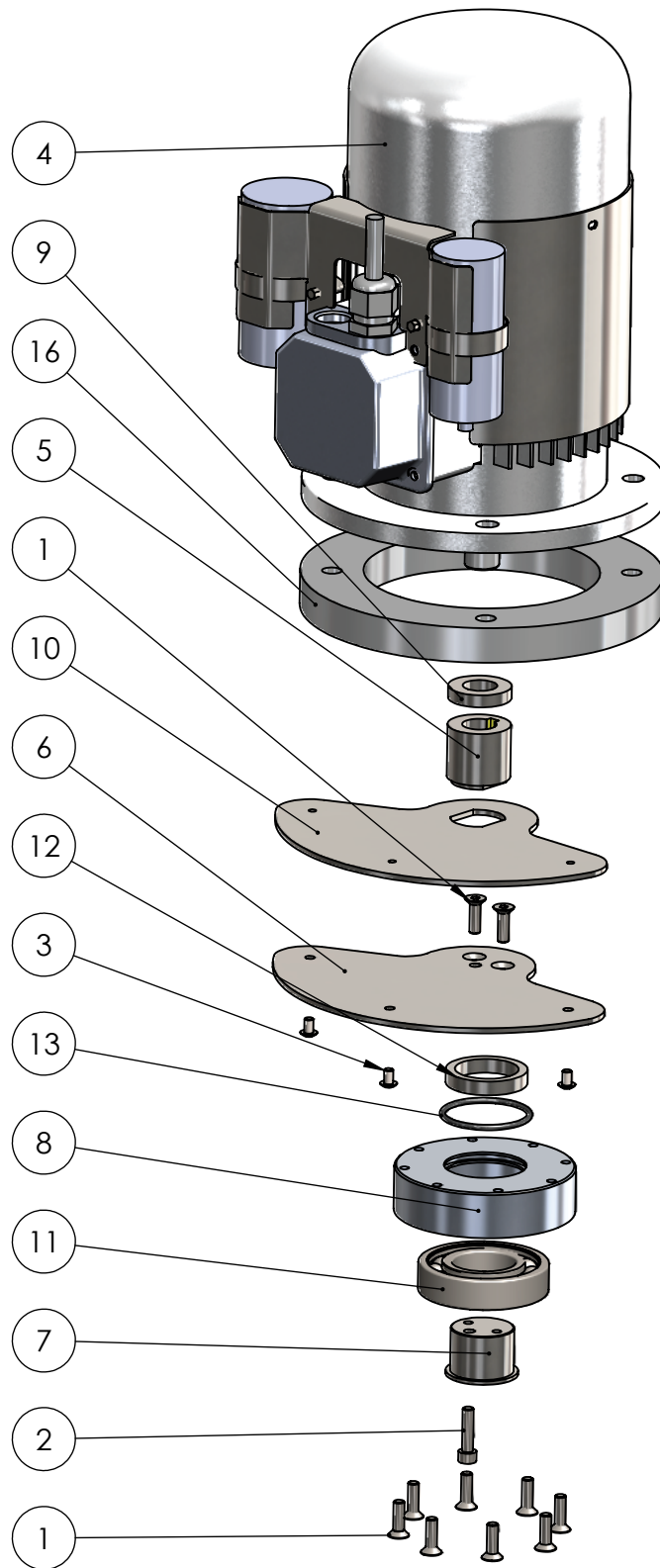


English

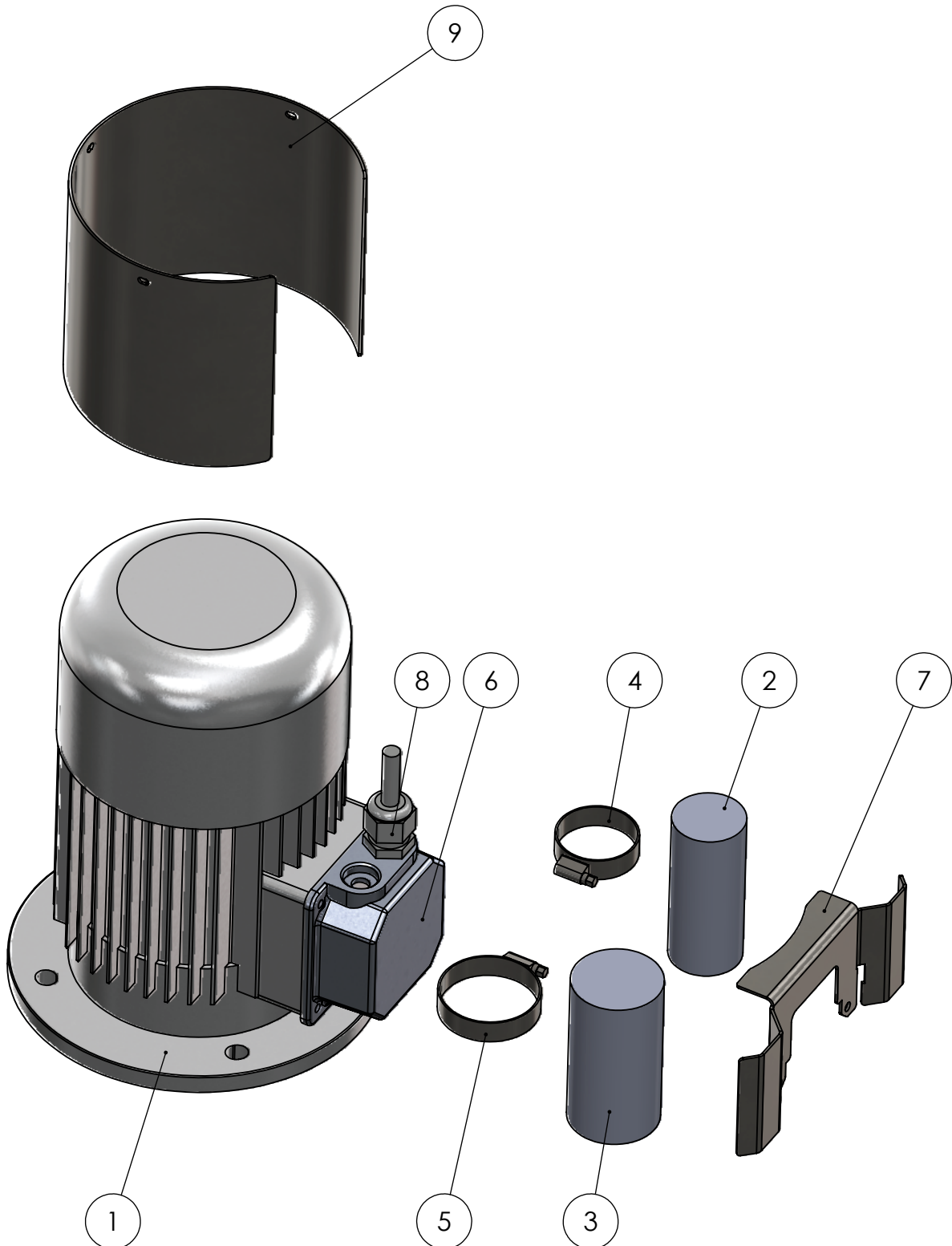
www.crescentindustrial.co.uk



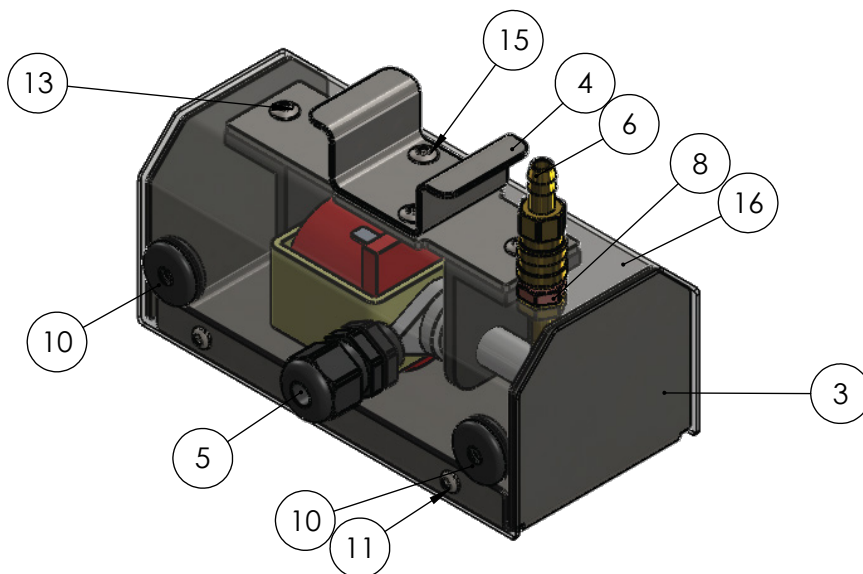
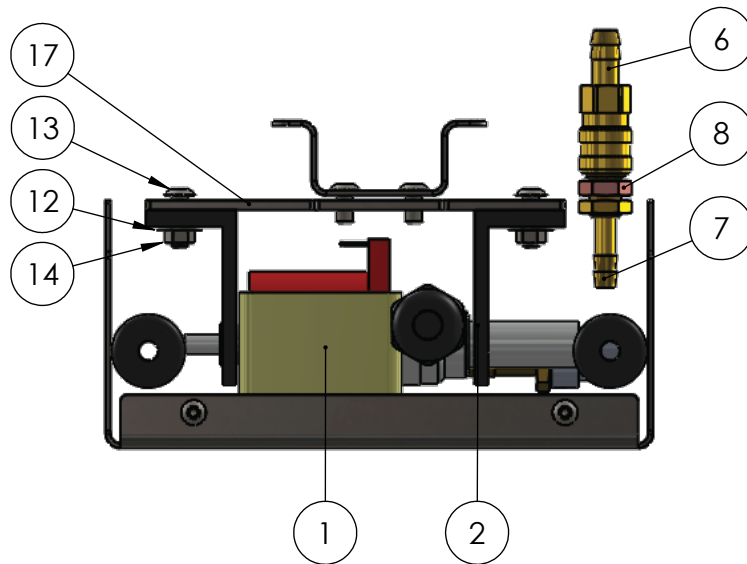
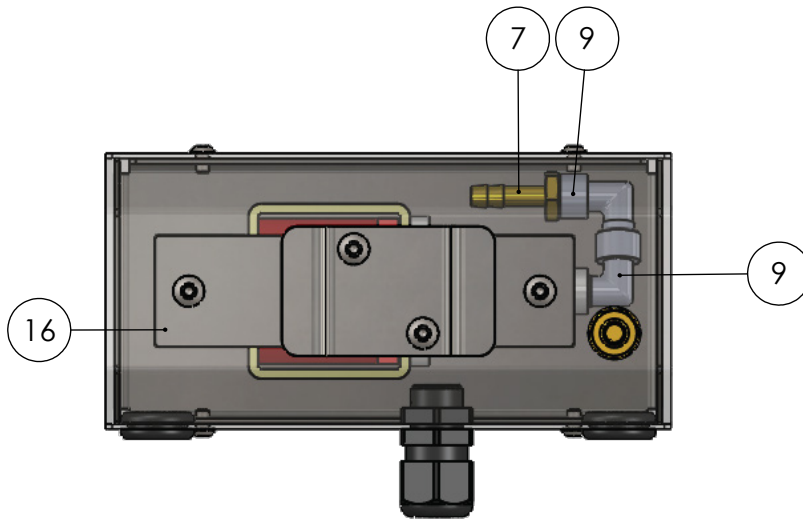
ITEM NO	PART Ref	Description	Topfloor Part No.	MATERIAL	QTY.
1	On/Off Switch	POWER SWITCH ON/OFF	700107	ART.	1
2	Hour Counter	HOUR COUNTER	900005	ART.	1
3	Hour Counter Clamp	CLAMP FOR HOUR COUNTER		ART.	1
4	Plug for Spring	SPRING HOLDER UP	607002	HMPE	1
5	Axis for Adjustment	AXIS FOR HEIGHT ADJUSTMENT	707012	RVS 303	1
6	Plug for Spring Part	SPRING HOLDER DOWN	607003	HMPE	1
7	Spring for Adjustment	SPRING FOR HEIGHT ADJUSTMENT	801001	RVS	1
8	Spacer Ring	WASHER FILL	607001	HMPE	2
9	ISO 7380-M5x08	SOCKET BUTTON HEAD SCREW M5X10	800020	A2	6
10	DIN 985-M5	LOCK NUT M5	800036	A2	1
11	0179-pol	HANDLE Ø22	608004	ART.	2
12	Plug & Cord	PLUG WITH CORD	530031	ART.	1
13	0360-pol	SCRUW PLUG M25X1,5	608013	KNSTST	1
14	0361-pol	SCRUW PLUG M16X1,5	608014	KNSTST	1
15	Packing Box Nut	NUT CABLE GLAND M16X1,5	608015	KNSTST	1
16	0362-pol	NUT CABLE GLAND M25X1,5	608016	KNSTST	1
17	Clamping Tank	CLAMP FOR SCRUB TANK	609001	KNSTST	2
18	0374-pol	STAR KNOB M6 FOR SCRUB TANK	609002	KNSTST	2
19	DIN 934-M6	NUT M6	800037	A2	2
20	Control Box T	BASE FOR CONTROL TREE	705088	ASS.	1
21	Handlebar Hinge	HINGE BUS FOR CONTROL TREE	707009	RVS 304	1
22	Cable Container	CABLE GLAND M16	608017	NYLON	1
23	0377-pol	FILL RING FOR CONTROL TREE	607020	HMPE	2



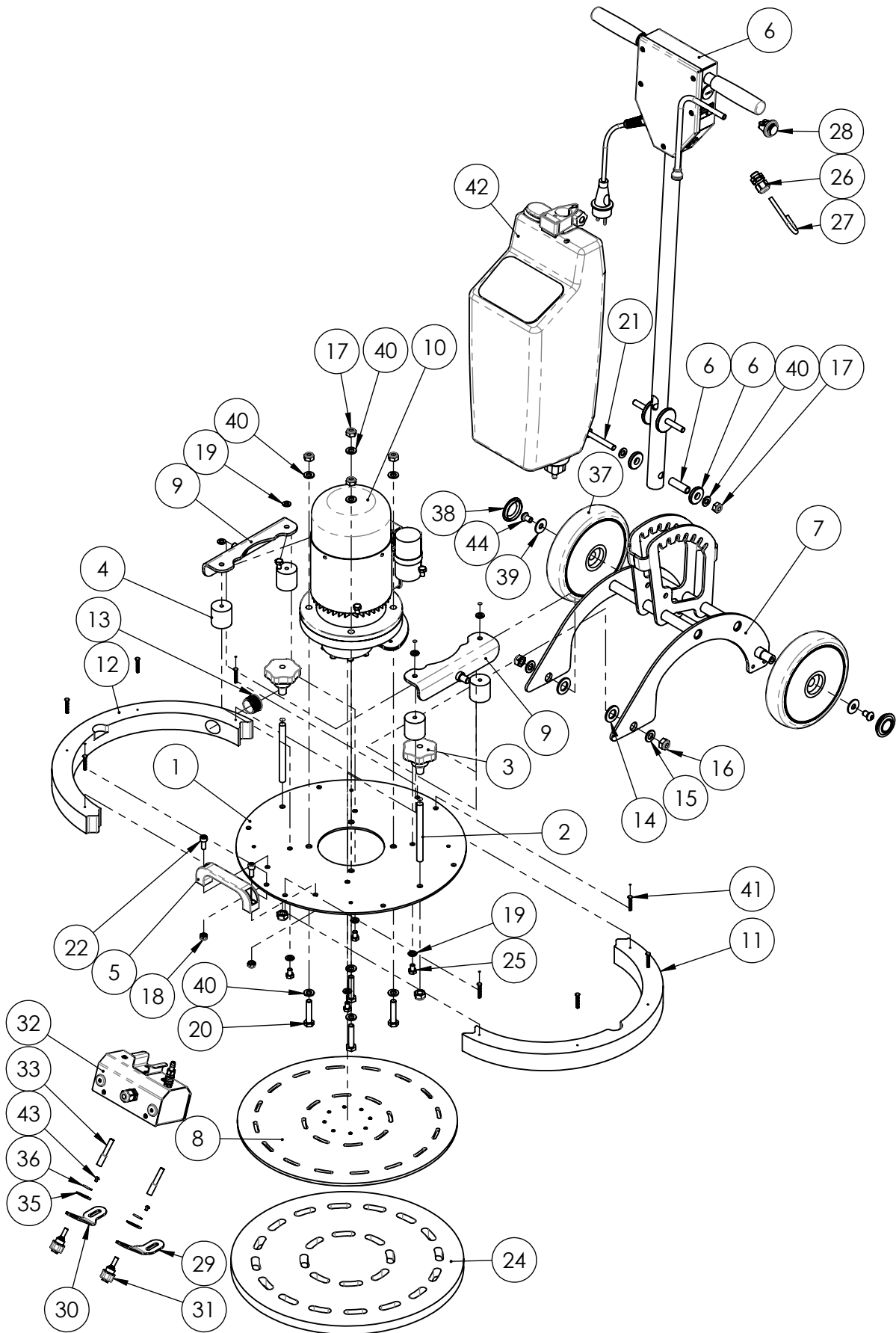
ITEM No.	PART Ref No.	DESCRIPTION	TOPFLOOR PART No.	MATERIAL	QTY
1	DIN 7991 - M6x20	M6x20 Imbus Hx Hd Screw	800108	A2	10
2	DIN 912 M6x25	M6x25 Imbux Bolt	800038	A2	1
3	ISO 7380 - M5x10	M5x10 Imbus Screw	800020	A2	3
4	5535	Electric Motor		ASS	1
5	0252-pol	Poulie Flange	707030	RVS 304	1
6	0251-pol	Mass Plate	705080	RVS 304	1
7	0256-pol	Eccentric	707031	RVS 304	1
8	0254-pol	Bearing Housing	707032	ALU	1
9	Vulring	Spacer Washer	707006	RVS 304	1
10	0253-pol	Mass Plate	705081	RVS 304	1
11	207_2_03	72x35x17 Ball Bearing	801512	NTN	1
12	0257-pol	H/D Spacer / Washer	707033	RVS 304	1
13	0258-pol	Ø45x3 NBR O-Ring	801516	NBR 70	1
14	O-ring 76x3	Ø76X3 NBR O-Ring	801510	NBR 70	1
15	0263-pol	Distance Bearing	705082	RVS 304	1
16	0264-pol	Motor Flange Ring	607016	KNSTST	1
17	30x6x6	Key Flat	540011	A5	1



ITEM No.	PART Ref No.	DESCRIPTION	TOPFLOOR PART No.	MATERIAL	QTY
1	EMS80b25 1.1kw	Electric Motor	540003	ITA	1
2	con40	Ø40 Capacitor		ITA	1
3	con50	Ø50 Capacitor		ITA	1
4	clamp40	Ø40 Clamp	800030	A2	1
5	Clamp50	Ø50 Clamp	800031	A2	1
6		Box Lid		ITA	1
7	Bracket	5535 Bracket	705023	RVS 304	1
8	M20 Swivel	M20 Cord Connector Inlet		ART	1
9	Cooling Hood	5535 Motor Cooling Hood	705024	RVS 304	1



ITEM No	PART Ref No	Description	TOPFLOOR PART NO	MATERIAL	QTY
1	0333-pol	SOLOINOID PUMP 230VAC	540018	CEME	1
2	0334-pol	PUMP BRACKET RUBBER	540019	CEME	2
3	0336-pol	BOTTOM PUMP UNIT	705095	RVS 304	1
4	0338-pol	BRACKET FOR PUMP UNIT	705096	RVS 304	1
5	pakbus M16	CABLE GLAND M16	608017	ART	1
6	0350-pol	RECTUS COUPLING TYPE 21 Ø8MM	210012	MESSING	1
7	0349-pol	HOSE PILLAR Ø6MM - G1/8"	800042	MESSING	2
8	0894	RECTUS NIPPLE TYPE 21 G1/8"	210013	MESSING	1
9	0352-pol	KNEE G1/8" FEMALE - MALE	210014	MESSING	2
10	0335-pol	RUBBER GROMMET HV1402	608009	PVC	2
11	ISO 7380-M4X06	SOCKET BUTTON HEAD SCREW M4X6	800093	A2	4
12	DIN 9021-M05	FENDER WASHER M5	800111	A2	2
13	ISO 7380-M5x08	SOCKET BUTTON HEAD SCREW M5X16	800119	A2	2
14	DIN 934-M5	NUT M5	800036	A2	2
15	ISO 7380-M5x08	SOCKET BUTTON HEAD SCREW M5X10	800020	A2	2
16	0327-pol	COVER CAP PUMP UNIT	705093	RVS 304	1
17	0339-pol	MOUNTING PLATE PUMP UNIT	705094	RVS 304	1



POS	PART NUMBER	EXC. NO.	Description ENG	MAT	QTY.
1	0261-pol	705078	ELECTRIC MOTOR PLATE	RVS 304	1
2		707001	THREAD END FOR WEIGHT PLATES	RVS 304	2
3		608003	STAR KNOB M12 FEMALE	ART.	2
4		650004	VIBRATION DAMPER M8 40X40	ART.	4
5		608002	U-HANDLES BLACK	ART.	1
6		705090	ASSEMBLY PUSH TREE	ASS	1
7		705089	MAINFRAME EXCENTR 43	ASS	1
8	0216-pol	705079	BASE PLATE EXC 43	ALU	1
9		705091	BRACKET BASE PLATE HOLDER	ASS.	2
10		540016	ORBITAL PART WITH MOTOR	ASS.	1
11	0262-pol	607015	BUMPER Ø460MM PART 1	HMPE 500	1
12	0326-pol	607017	BUMPER Ø460MM (HOLE) PART 2	HMPE 500	1
13	TT341030	608012	COVER CAP Ø34 MALE	ART.	1
14	DIN 125A-M18 PA	800073	WASHER M18 PA	PA	2
15	DIN 125A-M12	800019	WASHER M12	A2	2
16	DIN 985-M12	800018	LOCK NUT M12	A2	4
17	DIN 985-M10	800012	LOCK NUT M10	A2	5
18	DIN 985 - M8		LOCK NUT M8	A2	2
19	DIN 125A - M8	800023	WASHER M8	A2	8
20	DIN 933-M10X50	800107	HEX HEAD BOLT M10X50	A2	4
21	DIN 931-M10x70	800010	HEX HEAD BOLT M10X70	A2	1
22	DIN 912 - M8x20	800070	SOCKET CAP SCREWM8X20	A2	2
23	0218-pol	705068	WEIGHT PLATE 3.4KG EXC. 43	FE 360	4
24	0409-pol		PAD EXCENTR 43	PAD	1
25	DIN 933-M08X12	800041	HEX HEAD BOLT M8X12	A2	8
26		608017	CABLE GLAND M16	ART	1
27	0345-pol		ELECTRIC CABLE	ART.	1
28	0344-pol	520003	PUSH BUTTON SWITCH OFF/(ON)	CONRAD	1
29	0342-pol	705097	NOZZLE BRACKET LEFT	RVS 304	1
30	0341-pol	705098	NOZZLE BRACKET RIGHT	RVS 304	1
31	0340-pol	609005	NOZZLE SET	ART	2
32	0367-pol	100017	PUMP UNIT FOR EXC. 43 AND 5535	ASS.	1
33	0501-pol		HOSE Ø8 - Ø5	PVC	2
34	0503-pol	608007	COVER CAP Ø12 FEMALE	ART	2
35	0532-pol	705099	MOUNTING PLATE NOZZLE	RVS 304	2
36	DIN 6799 - 10		CIRCLIP FOR SHAFT Ø10	A2	2
37	0069	610001	WHEEL Ø200X42	PP	2
38	0070		WHEEL COVER CAP	PP	2
39	DIN 9021-M10	800040	FENDER WASHER M10	A2	2
40	DIN 125A - M8	800011	WASHER M10	A2	10
41	DIN 7982 4.2X32	800087	SCREW FOR PLASTIC Ø4X32	A2	8
42		609006	SCRUBBER TANK FOR 5535 AND 43	ART.	1
43	ISO 7380-M4X06	800093	SOCKET BUTTON HEAD SCREW M4X6	A2	2
44	ISO 7380-M10X16	800088	SOCKET BUTTON HEAD SCREW M10X16	A2	2

TOPFLOOR

SIMPLE, STRONG, SAFE

We supply a full range of cleaning equipment for rental or purchase.

For more information, or a cleaning solution to suit your business, please get in touch –

For a more comprehensive product range, please visit our website.

Distributed by:



Address

Crescent Industrial Ltd
Berrington House,
Berrington Road,
Leamington Spa
CV31 1NB

Contact

t: 0845 33 77 695
f: 0845 33 78 695
e: info@c-ind.co.uk

www.crescentindustrial.co.uk