
Parts Diagrams and Lists



Table of Contents

BA551/BA551D/BA551CD/BA611D

Solution tank	3
Recovery tank	5
Chassis system	7
Wheels and traction	9
Handle assembly	11
Solution system	13
Squeegee system BA 551-551D-551CD	15
Squeegee system BA 611D before s.no.082115832	17
Squeegee system BA 611D after s.no.082115832	19
Brush system BA 551	21
Brush system BA 551D	23
Brushes system BA 551CD	25
Brushes system BA 611D	27
Accessories	29
Control panel system BA 551	31
Control panel system BA 551D-551CD-611D	33
Electrical components BA 551	35
Electrical components BA 551D-551CD-611D	37
Accessories BA 551-551D-611D	39
Accessories BA 551-551D-551CD-611D	41
Accessories BA 551D-551CD- 611D	43
Wiring diagram BA 551	45
Wiring diagram BA 551D-551CD-611D	47
Recommended spare parts	49
Recommended spare parts	51
Recommended spare parts	54
Accessories	56

Solution tank

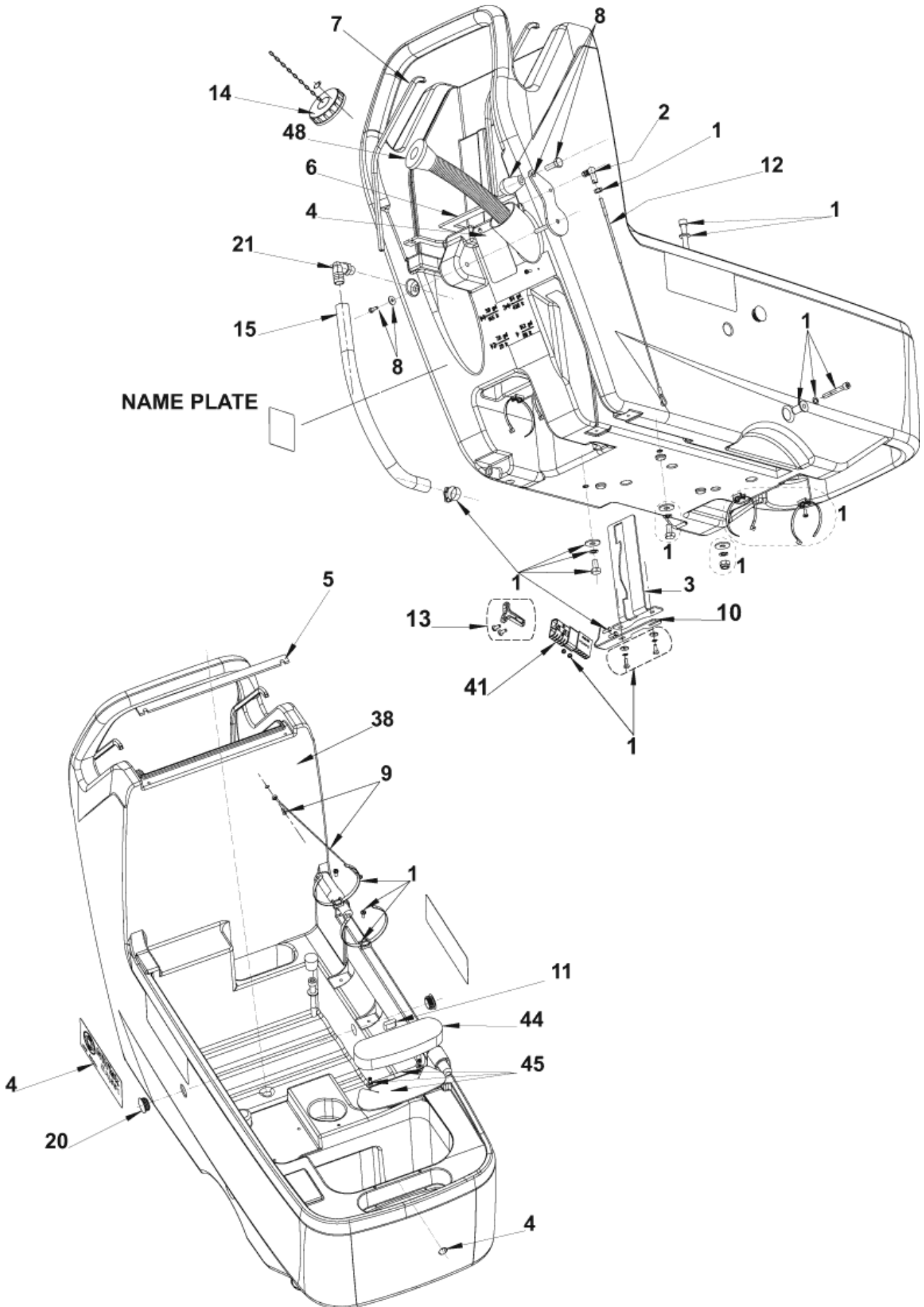
BA551/BA551D/BA551CD/BA611D

17-01-2012

Part List ID

E18615

3



Solution tank

BA551/BA551D/BA551CD/BA611D

17-01-2012

Part List ID

E18615

4

Pos	Part no.	Qty	Description		EAN
0	9098575000	1	SUPPORT LEFT FOR WATERTANK KIT	TSB IT 2009-031 -INST.INSTR. 9098576000	7319519677
1	9098265000	1	HARDWARE SOLUTION TANK KIT		7319519676
3	909 6493 000	1	SUPPORT PEDAL		5711140128
4	9097773000	1	DECALS KIT BA 551/611		5711140137
5	909 6596 000	1	GASKET		5711140129
6	909 6597 000	1	GASKET		5711140129
7	909 6892 000	2	GASKET L 960		5711140131
8	9097630000	1	HARDWARE SQU.LEVER FIXING KIT		5711140134
9	909 6874 000	1	CABLE TANK KIT		5711140130
10	909 6649 000	1	BRACKET CONNECTOR SUPPORT		5711140129
11	9096921000	1	CAP RUBBER		5711140131
12	9098675000	1	CABLE SQUEEGEE KIT	TSB IT 2010-053-INST.INSTR. 9098672000	7319519678
13	1464116000	1	HANDLE RED PLASTIC SB 120		7319519677
14	909 6554 000	1	CAP WITH CHAIN		5711140128
15	909 6521 000	1	HOSE CLEAN WATER		5711140128
20	L08812457	2	CAP TANK		5711140018
21	9099374000	1	ELBOW BARBE 90. BLACK		5711145036
38	909 6048 000	1	TANK SOLUTION 55 LT		5711140125
41	9098762000	1	CONNECTOR 120A RED		5711140152
44	909 6671 000	1	SPONGE INLET FRESH WATER TANK		5711140129
45	9098449000	1	RUBBER ANTISPLASH KIT		7319519677
48	9097290000	1	HOSE FILLING	OPTION	5711140133

POSITION 12 9098675000 includes also position 2.

POSITION 0: CODE 9098575000 VALID FOR DRIVE VERSION ONLY

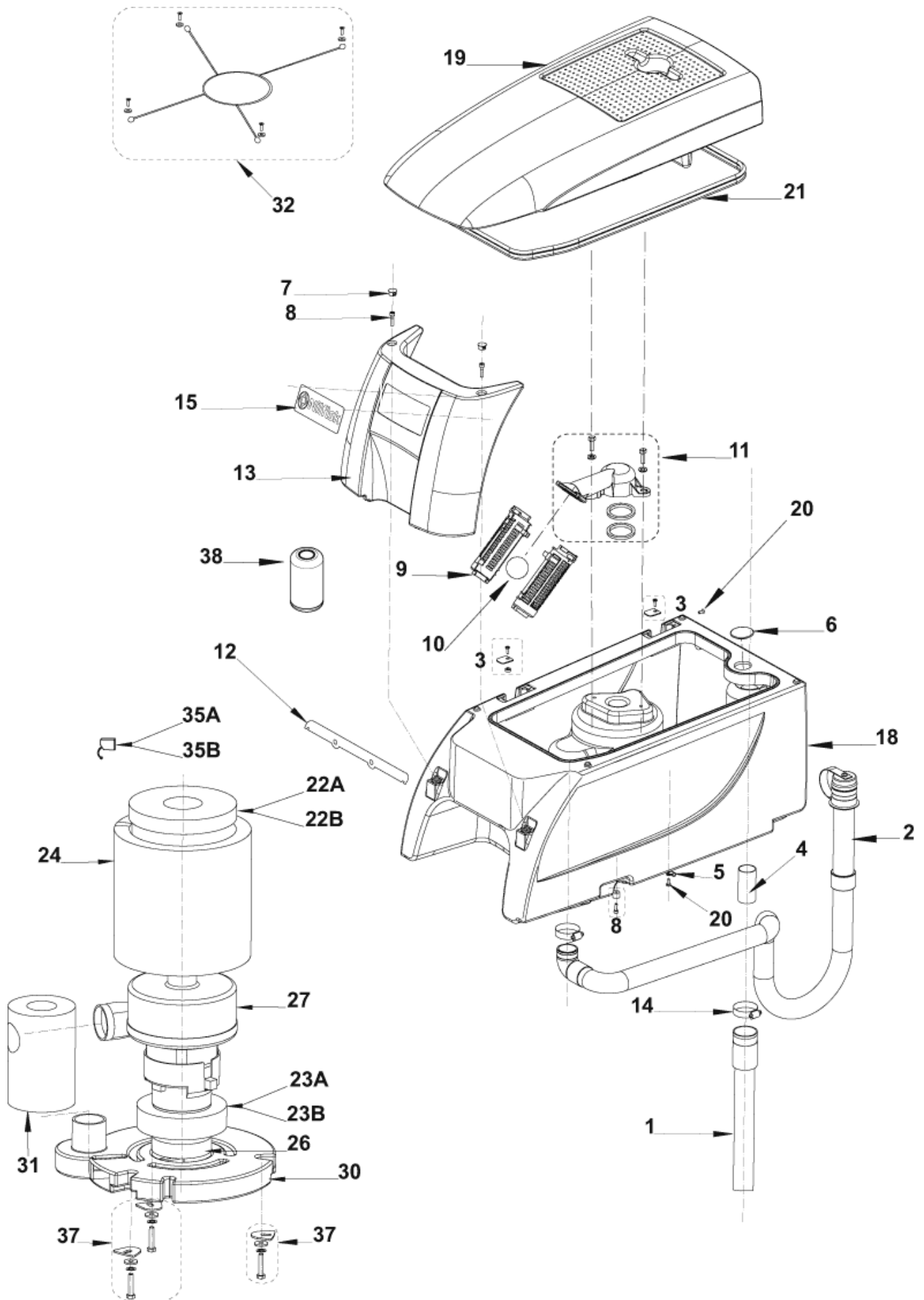
Recovery tank

BA551/BA551D/BA551CD/BA611D

17-01-2012

Part List ID
E18619

5



Recovery tank

BA551/BA551D/BA551CD/BA611D

17-01-2012

Part List ID

E18619

6

Pos	Part no.	Qty	Description	EAN
0	909 6876 000	1	HARDWARE CAGE SUP.FIXING KIT	5711140130
1	909 6230 000	1	HOSE SQUEEGEE VACUUM	5711140126
2	9099165000	1	HOSE DRAIN RAL 7001	5711145014
3	9097654000	1	TANK FIXING KIT	5711140135
4	909 6640 000	1	HOSE ANTIREFLOW	5711140129
5	L08239900	1	CLAMP D.6 WHITE	5711140012
6	909 6899 000	1	CAP TANK	5711140131
7	145 8008 000	2	CAP D.18.2	5711140011
8	9098451000	1	HARDWARE RECOVERY TANK KIT	7319519677
9	L08812259	2	CAGE.FLOAT CPL	5711140017
10	L08812373	1	BALL FLOATING	5711140018
11	9097681000	1	CAGE FLOAT HOLDER KIT	INST.INSTR. 9097680000 5711140135
12	9097044000	1	GASKET TANK	5711140132
13	909 6224 000	1	PANEL FRONT RECOVERY TANK	5711140126
14	145 0543 000	2	CLAMP 14/32-52	5711140023
15	9097773000	1	DECALS KIT BA 551/611	5711140137
18	909 6049 000	1	TANK RECOVERY 55 LT	5711140125
19	909 6050 000	1	COVER.TANK 55 LT	5711140125
20	909 6337 000	2	SCREW M5X12 UN17687	5711140127
21	146 0741 000	1	GASKET	5711140033
24	909 6491 000	1	PANEL ACOUSTIC INSULATION	5711140128
26	909 6672 000	1	FILTER	5711140129
27	9099401000	1	MOTOR VACUUM KIT	5711145036
30	909 6051 000	1	COVER.VACUUM MOTOR	5711140125
31	909 6442 000	1	PIPE.ACOUSTIC INSULATION	5711140128
32	909 6734 000	1	BAND RUBBER KIT	OPTION 5711140130
37	909 6877 000	1	HARDWARE MOTOR FIXING KIT	5711140130
38	909 5065 000	1	FILTER ANTIFOAMING	OPTION - TSB IT 2008-002 5711140120
22A	909 6489 000	1	GASKET VACUUM MOTOR	5711140128
22B	9098055000	1	GASKET VACUUM MOTOR	5711140139
23A	909 6490 000	1	GASKET VACUUM MOTOR	5711140128
23B	9098056000	1	GASKET VACUUM MOTOR	5711140139
35A	909 5371 000	2	BRUSH CARBON	5711140122
35B	9098231000	1	CARBON BRUSH KIT 2PCS	5711140139

A FOR MOTOR 9099401000 (AMETEK)

B FOR MOTOR 9098062000 (VIPER)

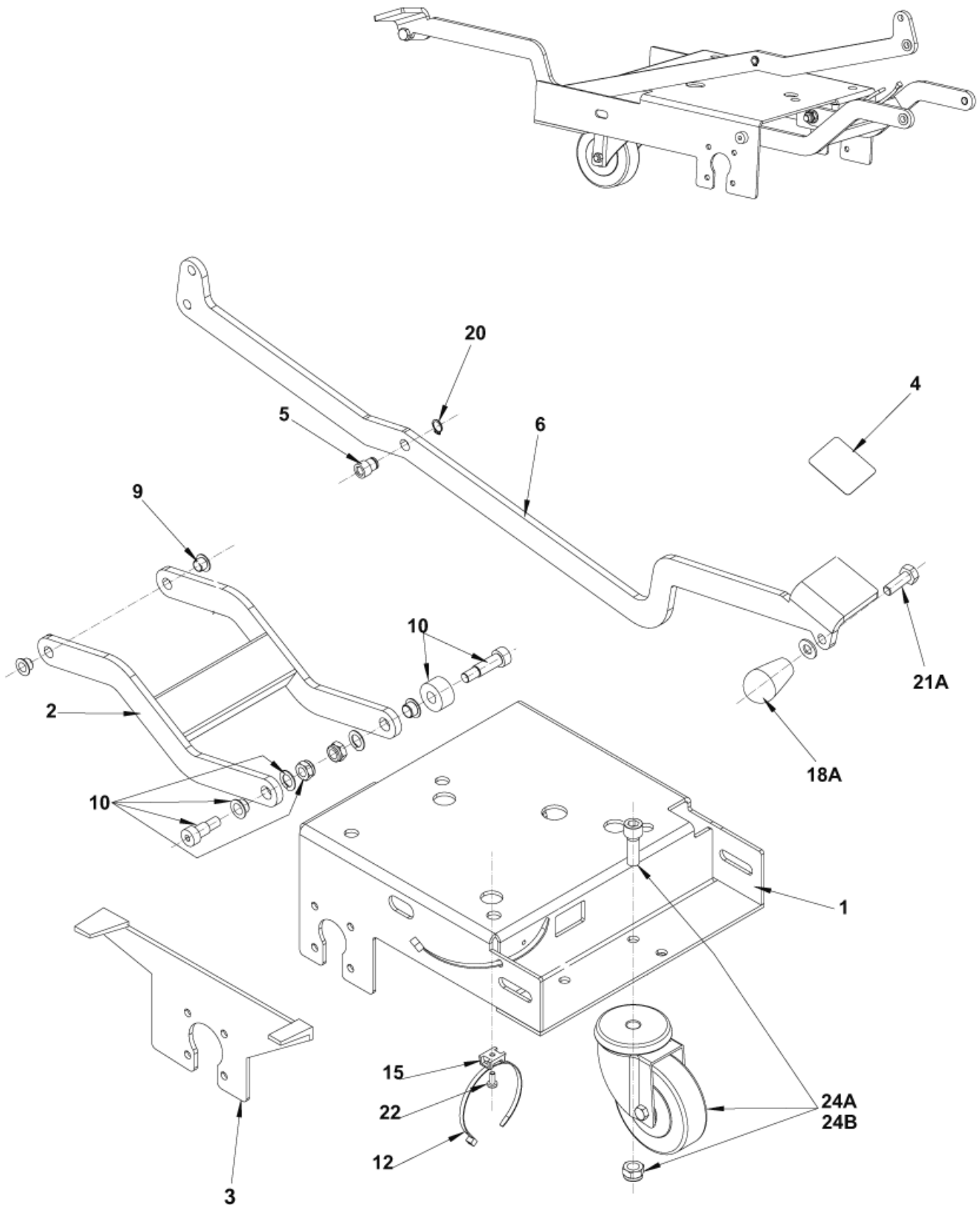
Chassis system

BA551/BA551D/BA551CD/BA611D

17-01-2012

Part List ID
E186113

7



Chassis system

BA551/BA551D/BA551CD/BA611D

17-01-2012

Part List ID

E186113

8

Pos	Part no.	Qty	Description	EAN
1	909 6481 000	1	CHASSIS 55 LT	5711140128
2	909 6486 000	1	LEVER BRUSH DECK LIFTING	5711140128
3	9098575000	1	SUPPORT LEFT FOR WATERTANK KIT	7319519677
			TSB IT 2009-031-INST.INSTR.9098576000	
4	909 6539 000	1	MAT.ANTISKID	5711140128
5	909 6540 000	1	BUSH FLANGED	5711140128
6	909 6487 000	1	PEDAL BRUSH LIFTING	5711140128
9	909 6594 000	2	BUSH FLANGED	5711140129
10	909 6878 000	1	HARDWARE CHAS.FIXING KIT	5711140130
12	145 0524 000	3	CLAMP BLACK 4.8x200	5711140023
15	909 6595 000	1	HOLDER.FLAT TIE	5711140129
20	33006051	1	RING D 12 UNI7435	5711140067
22	909 6337 000	1	SCREW M5X12 UNI7687	5711140127
24	9098947000	1	CASTOR WHEEL SS KIT	5711145029
			OPTION - WIDER WHELL FOR SPECIAL APPLICATIONS	
24A	909 6879 000	1	WHEEL CASTOR SS KIT	5711140130
24B	909 6880 000	1	WHEEL CASTOR KIT	5711140130

A FOR SCRUBBER WITH DRIVE

B FOR SCRUBBER WITHOUT DRIVE

Wheels and traction

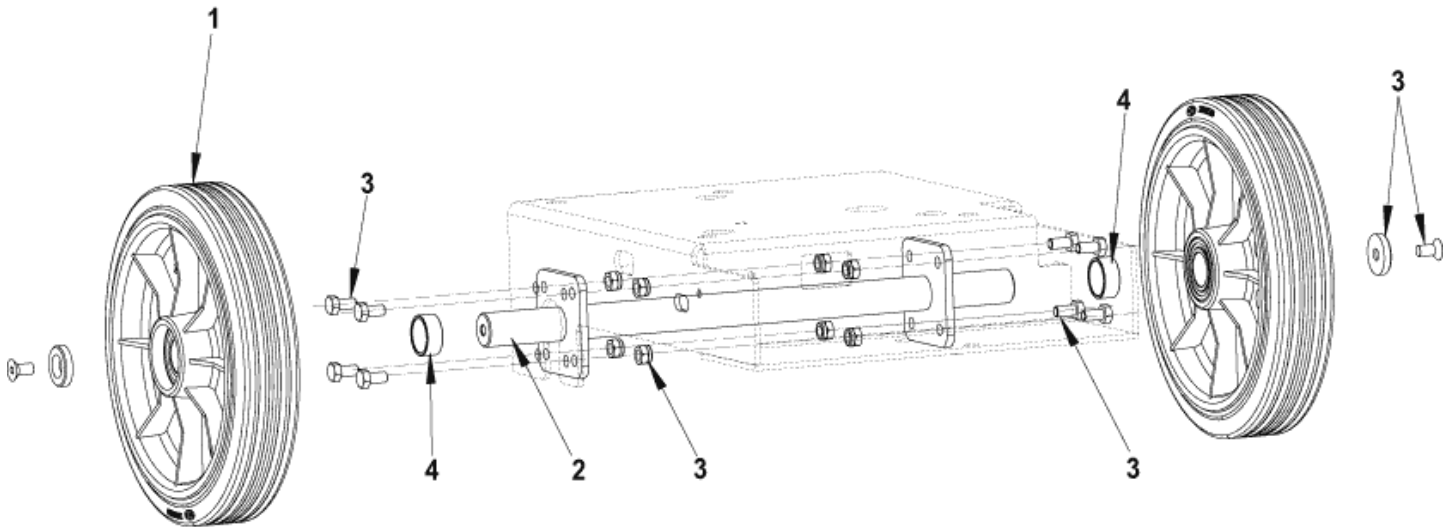
BA551/BA551D/BA551CD/BA611D

17-01-2012

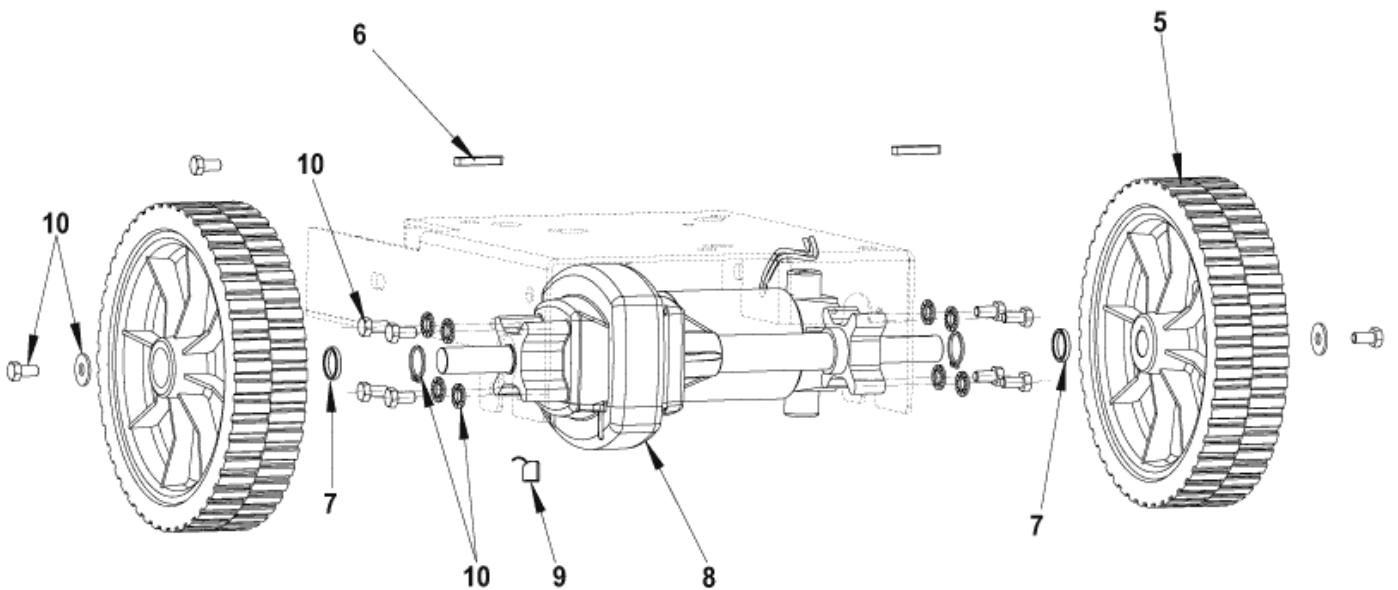
Part List ID
E186115

9

SENZA TRAZIONE / WITHOUT TRACTION (BA 551)



CON TRAZIONE / WITH TRACTION (BA 551 D / BA 551 DC / BA 611 D)



Wheels and traction

BA551/BA551D/BA551CD/BA611D

17-01-2012

Part List ID

E186115

10

Pos	Part no.	Qty	Description	EAN
1	909 6503 000	2	WHEEL FRONT D.250	5711140128
2	909 6501 000	1	SHAFT WHEELS	5711140128
3	9098299000	1	HARDWARE WHEELS KIT	7319519676
4	909 6502 000	2	SPACER 25X30X12.6	5711140128
5	909 6863 000	2	WHEEL FRONT D.250 DRIVE	5711140130
5	9097026000	2	WHEEL FRONT D.250 DRIVE	5711140132
			OPTION	
6	146 0769 000	2	KEY 6X6X40 UN16604A	5711140033
7	909 6506 000	2	SPACER 20.5X25X4	5711140128
8	909 6548 000	1	MOTOR DRIVE 200W 24V	5711140128
9	145 5124 000	2	CARBON BRUSH	5711140027
10	9098298000	1	HARDWARE DRIVE WHEELS KIT	7319519676

Handle assembly

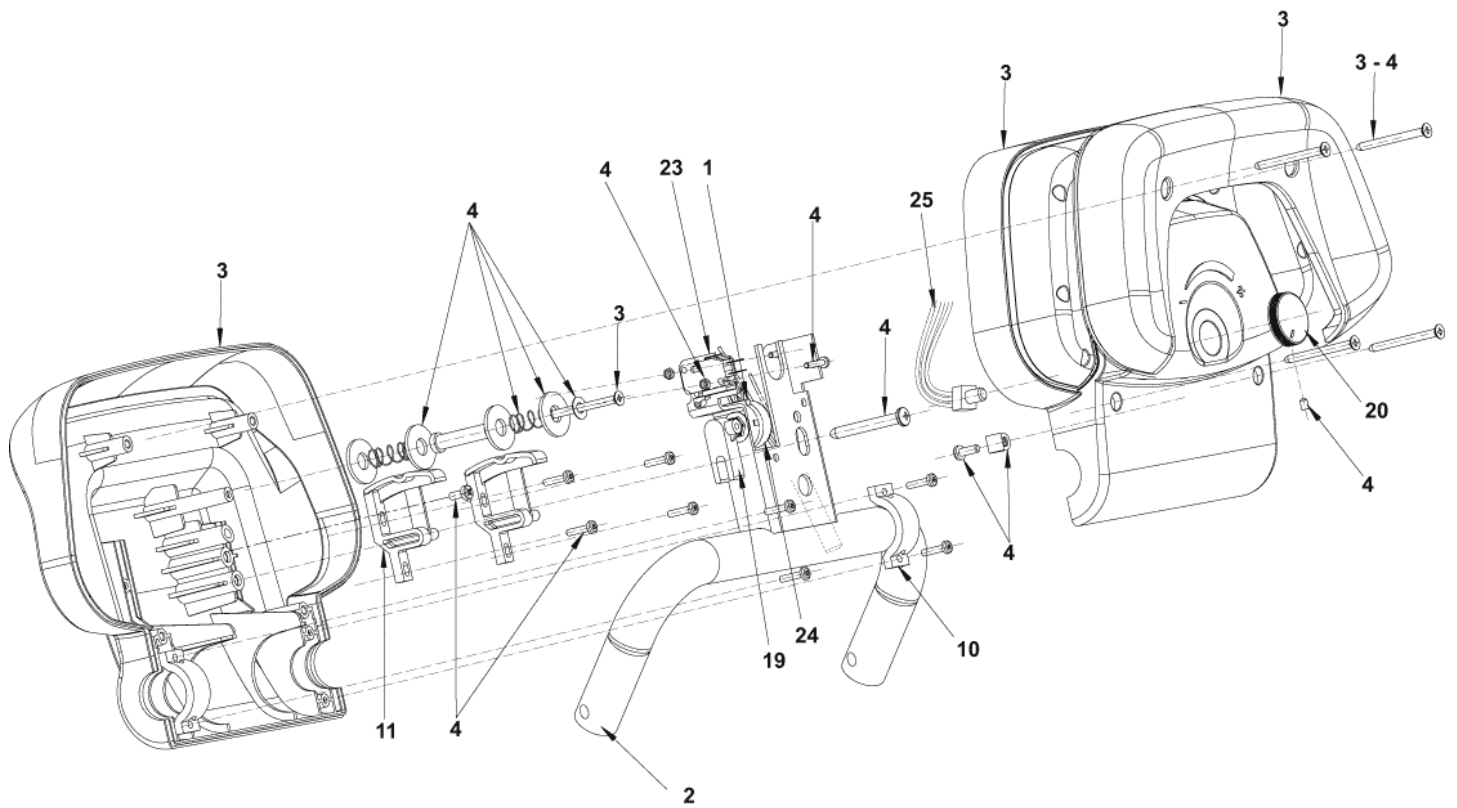
BA551/BA551D/BA551CD/BA611D

17-01-2012

Part List ID

E186117

11



Handle assembly

BA551/BA551D/BA551CD/BA611D

17-01-2012

Part List ID

E186117

12

Pos	Part no.	Qty	Description	EAN
0	9098792000	1	HOUSING SWITCH LOWER KIT	7319519680
1	909 6578 000	1	HARNES HANDLE BAR DRIVE	5711140128
2	909 6059 000	1	TUBE.HANDLE BAR	5711140125
3	9097622000	1	SWITCH HOUSINGS UPPER/LOWER	5711140134
4	9098300000	1	HARDWARE HANDLE ASSEMBLY	7319519676
10	L08812279	2	COLLAR	5711140017
11	L08812282	2	CAM HANDLE MICROSWITCH	5711140017
19	909 6038 000	1	ROD. POTENTIOMETER	5711140125
20	909 6471 000	1	KNOB. POTENTIOMETER	5711140128
23	909 6677 000	1	MICROSWITCH	5711140129
24	9098814000	1	POTENTIOMETER 5K 40	7319519681
25	909 6544 000	1	HARNES POTENTIOMETER	5711140128

Solution system

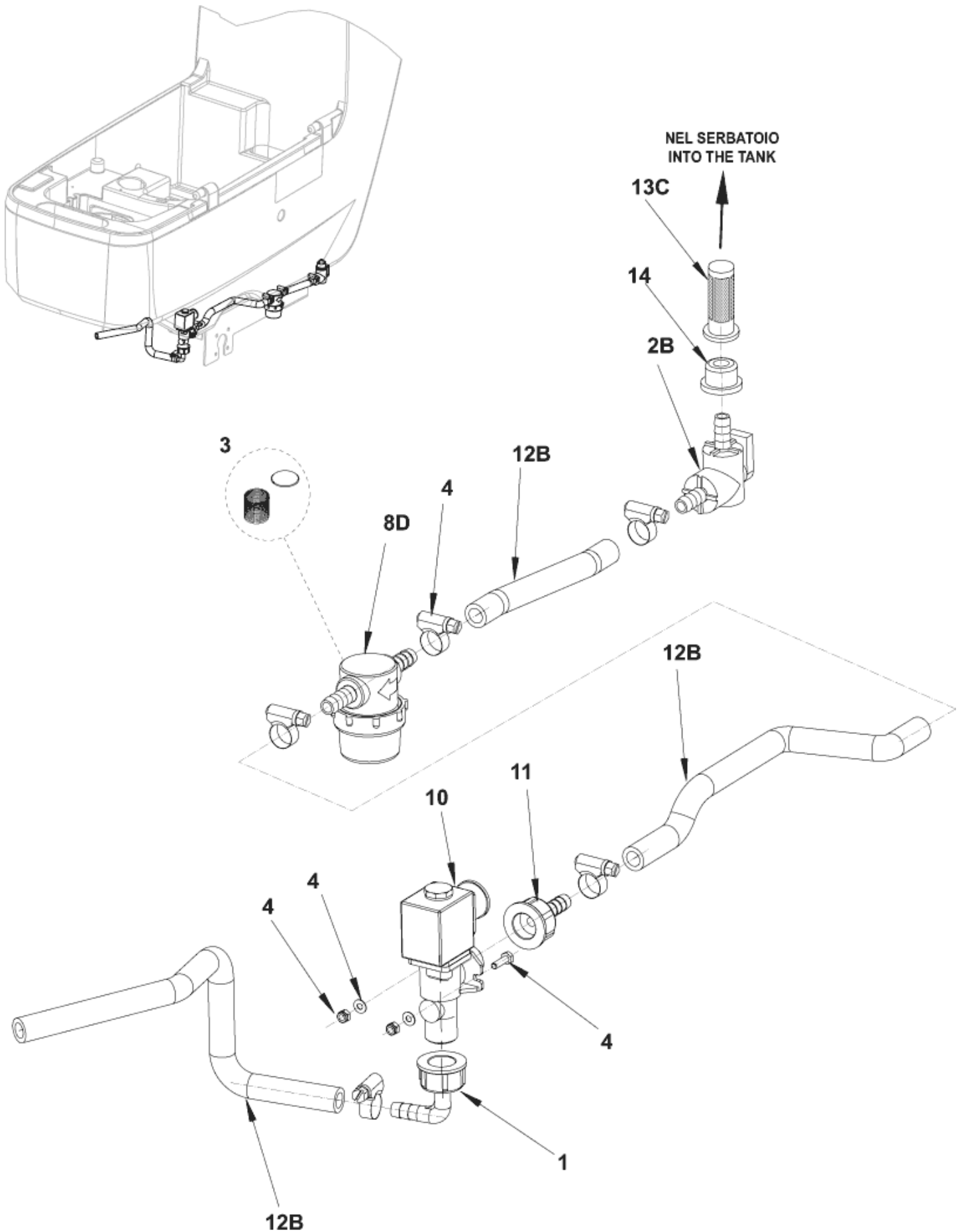
BA551/BA551D/BA551CD/BA611D

17-01-2012

Part List ID

E186119

13



Solution system

BA551/BA551D/BA551CD/BA611D

17-01-2012

Part List ID

E186119

14

Pos	Part no.	Qty	Description	EAN
1	9098777000	1	HOLDER RUBBER 90 GRAD.KIT	7319519678
3	L08603893	1	NET FILTER WITH GASKET KIT	5711140016
4	9098301000	1	HARDWARE SOLUTION SYSTEM	7319519676
0B	909 6805 000	1	PIPES SOLENOID VALVE KIT	5711140130
10	909 6555 000	1	SOLENOID VALVE 24V	5711140128
11	909 6636 000	1	HOLDER RUBBER 1/2 FEMALE	5711140129
14	909 5286 000	1	GASKET	5711140122
2B	9096994000	1	VALVE ELBOW	5711140131
8D	9097166000	1	FILTER COMPLETE KIT	5711140132
12B	9096996000	1	VALVE ELBOW W/PIPES KIT	5711140131
13C	9096916000	1	FILTER SOLUTION TANK	OPTION 5711140131

B TSB IT 2007-027a

C TSB IT 2007-015

D TSB IT 2007-021

Squeegee system BA 551-551D-551CD

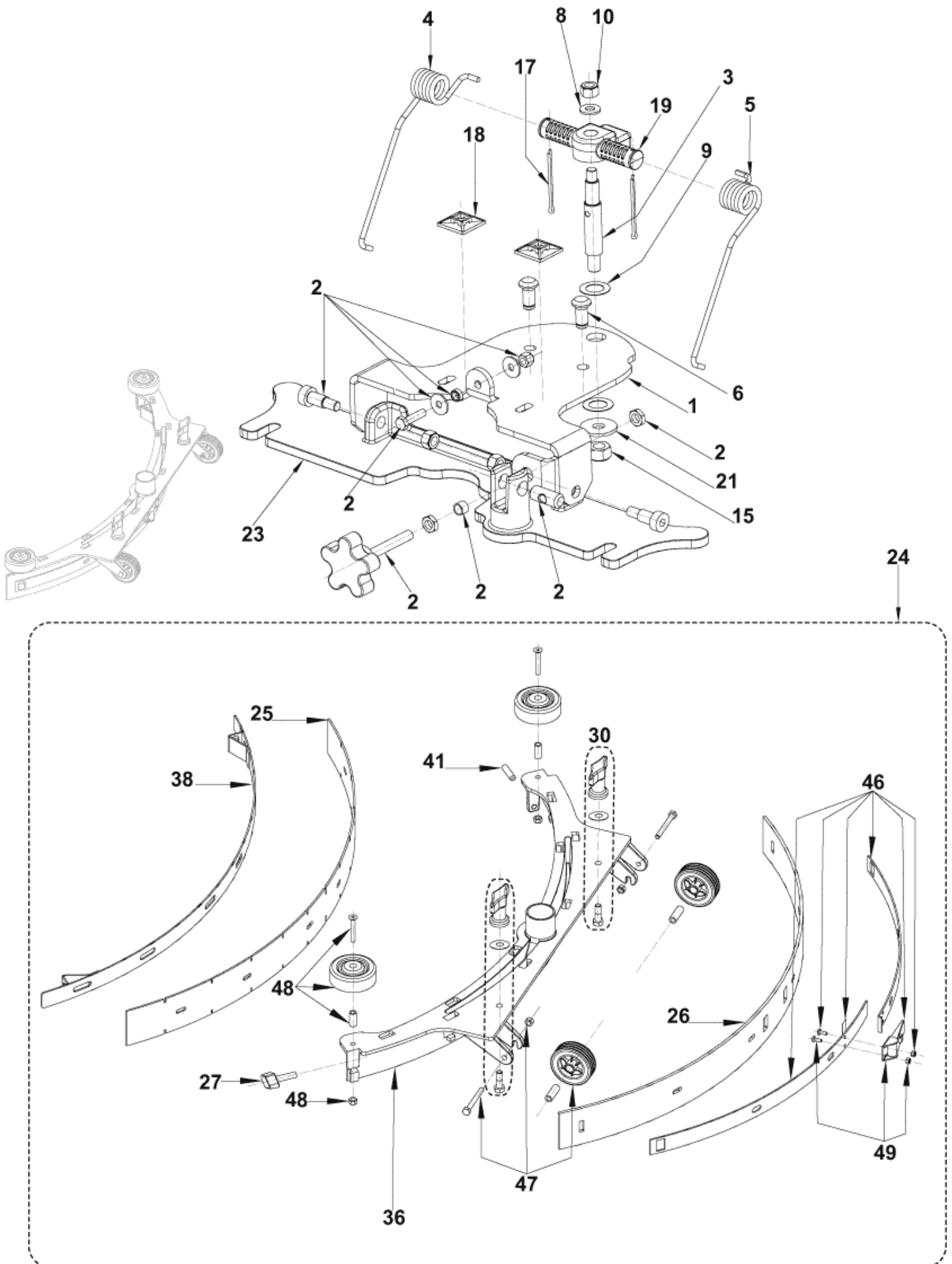
BA551/BA551D/BA551CD/BA611D

17-01-2012

Part List ID

E186121

15



Squeegee system BA 551-551D-551CD

BA551/BA551D/BA551CD/BA611D

17-01-2012

Part List ID

E186121

16

Pos	Part no.	Qty	Description	EAN
0	909 6860 000	1	BLADES RUBBER KIT 740MM/29 (INCLUDES POS.25-26)	5715492037
0	9097548000	1	WASHERS NYLON SQUEEGEE SUPPORT TSB IT 2007-031	5711140134
1	909 6494 000	1	BRACKET SQUEEGEE SUPPORT	5711140128
2	909 6885 000	1	HARDWARE SQUEEGEE FIXING KIT	5711140131
3	909 6497 000	1	PIN SQUEEGEE	5711140128
4	909 6537 000	1	SPRING SQUEEGEE PUSHING DX	5711140128
5	909 6538 000	1	SPRING SQUEEGEE PUSHING SX	5711140128
6	909 6543 000	2	PIN. SQUEEGEE FIXING	5711140128
8	33005915	1	WASHER M8 UNI6592	5711140067
9	L08238300	2	WASHER 15X25 NYLON UNI6592	5711140012
10	33005607	3	NUT SELF L. M8 UNI7474	5711140066
15	33005608	1	NUT SELF L. M10 UNI7474	5711140066
17	33005758	2	PIN SPLIT 2x32 UNI1336	5711140066
18	909 6635 000	2	HOLDER.FLAT TIE	5711140129
19	909 6052 000	1	SUPPORT SQUEEGEE SPRING	5711140125
21	L08604251	1	WASHER 10X30 UNI6592	5711140016
23	909 6045 000	1	SUPPORT. SQUEEGEE	5711140125
24	909 6851 000	1	SQUEEGEE CPL ALU 760MM/30 KIT	5715492037
25	909 6483 000	1	BLADE NEOPRENE FRONT	5715492037
26	909 6484 000	1	BLADE NEOPRENE REAR	5715492037
27	909 6551 000	1	KNOB M8X30 SS	5711140128
30	9097637000	1	SQUEEGEE FIXING KIT	5711140134
36	909 6044 000	1	WELDMENT.SQUEEGEE TOOL	5711140125
38	909 6055 000	1	STRAP.SQUEEGEE FRONT	5711140125
41	909 6600 000	1	SCREW GRUB M8X30 UNI5929 SS	5711140129
46	909 6882 000	1	HARDWARE SQU.BLADE FIXING	5711140130
47	909 6883 000	2	WHEELS SQUEEGEE KIT	5711140131
48	909 6884 000	2	ROLLER BUMPER SQUEEGE.KIT	5711140131
49	909 6394 000	1	LATCH SQUEEGEE KIT	5711140127

Squeegee system BA 611D before s.no.082115

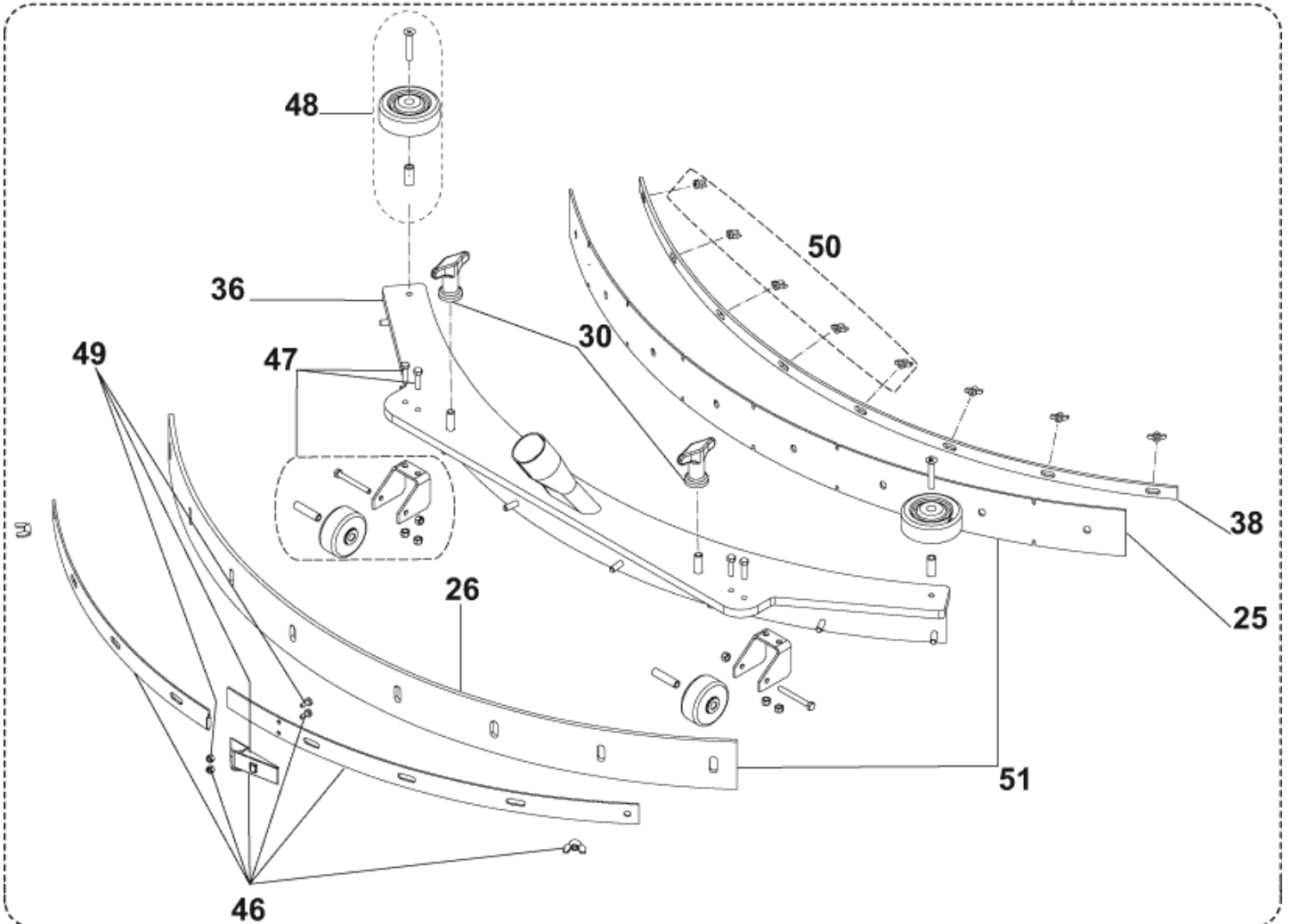
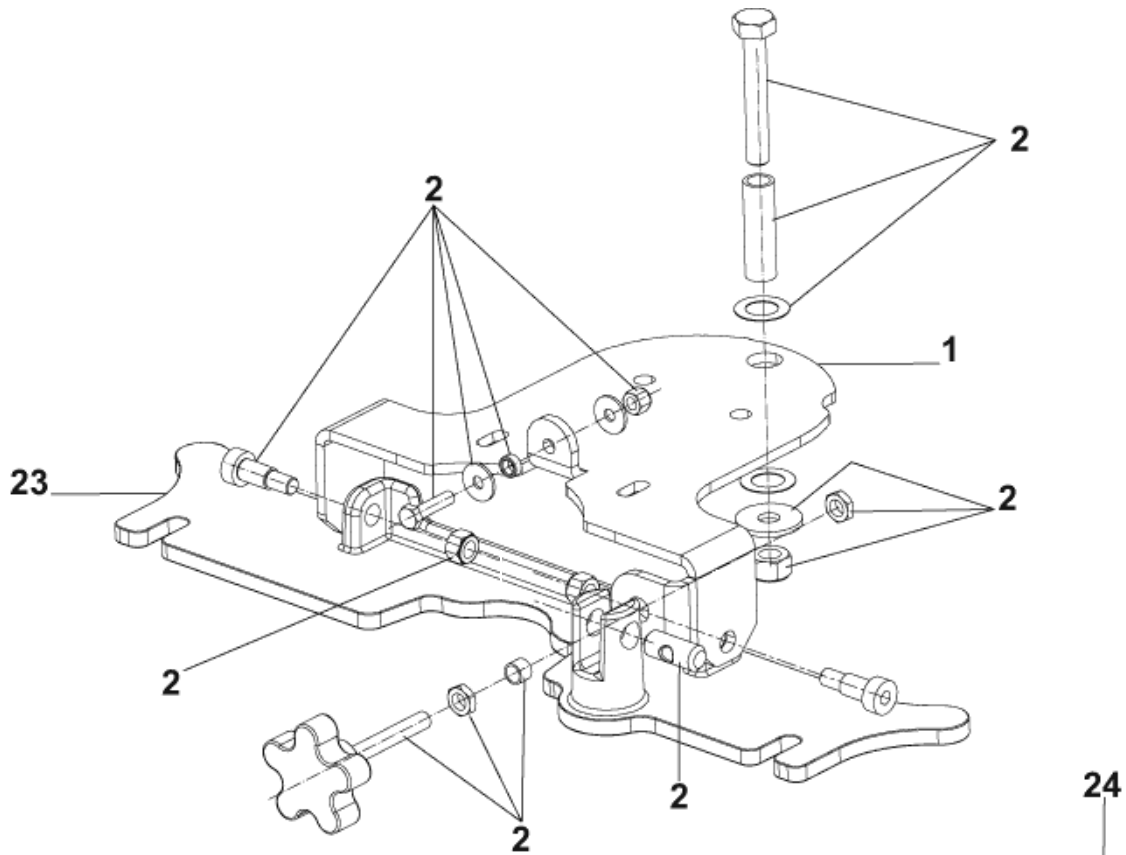
BA551/BA551D/BA551CD/BA611D

17-01-2012

Part List ID

E186125

17



Squeegee system BA 611D before s.no.082115

BA551/BA551D/BA551CD/BA611D

17-01-2012

Part List ID

E186125

18

Pos	Part no.	Qty	Description	EAN
0	909 6886 000	1	HARDWARE SQUEEGEE FIXING KIT	5711140131
1	909 6494 000	1	BRACKET SQUEEGEE SUPPORT	5711140128
2	9098527000	1	HARDWARE SQU. FIXING SUPPORT	7319519677
23	909 6045 000	1	SUPPORT. SQUEEGEE	5711140125
24	9097539000	1	SQUEEGEE CPL ALU 840MM/33 KIT	5711140134
25	909 5629 000	1	BLADE FRONT NON MARKING	5711140123
			OPTION	
25	L08603830	1	BLADE NEOPRENE FRONT	5715492036
26	L08603832	1	BLADE PARA REAR	5715492036
30	9097637000	1	SQUEEGEE FIXING KIT	5711140134
36	9097198000	1	WELDMENT.SQUEEGEE TOOL	5711140133
38	L08603831	1	STRAP FRONT	5711140015
46	909 6894 000	1	HARDWARE SQUEEGEE BLADE	5711140131
47	L08603879	2	WHEEL SQUEEGEE KIT	5711140016
48	L08603880	2	ROLLER BUMPER KIT	5711140016
49	909 6394 000	1	LATCH SQUEEGEE KIT	5711140127
50	909 6356 000	2	WING NUTS KIT	5711140127
51	9097499000	1	BLADES RUBBER KIT 840MM/33	5711140134

Squeegee system BA 611D after s.no.0821158

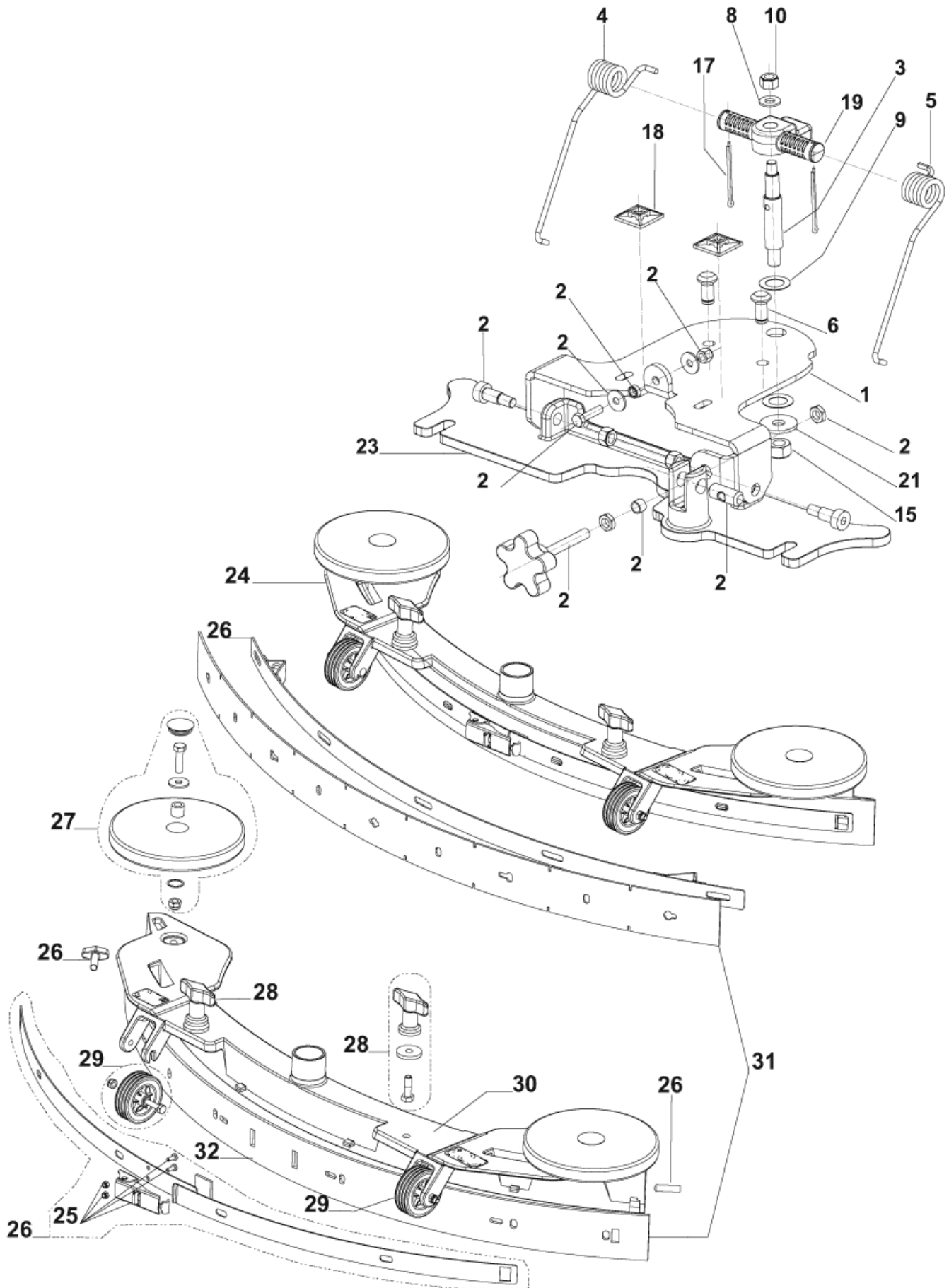
BA551/BA551D/BA551CD/BA611D

17-01-2012

Part List ID

E186126

19



Squeegee system BA 611D after s.no.0821158

BA551/BA551D/BA551CD/BA611D

17-01-2012

Part List ID

E186126

20

Pos	Part no.	Qty	Description		EAN
0	9097548000	1	WASHERS NYLON SQUEEGEE SUPPORT	TSB IT 2007-031	5711140134
1	909 6494 000	1	BRACKET SQUEEGEE SUPPORT		5711140128
2	909 6885 000	1	HARDWARE SQUEEGEE FIXING KIT		5711140131
3	909 6497 000	1	PIN SQUEEGEE		5711140128
4	909 6537 000	1	SPRING SQUEEGEE PUSHING DX		5711140128
5	909 6538 000	1	SPRING SQUEEGEE PUSHING SX		5711140128
6	909 6543 000	2	PIN. SQUEEGEE FIXING		5711140128
8	33005915	1	WASHER M8 UNI6592		5711140067
9	L08238300	2	WASHER 15X25 NYLON UNI6592		5711140012
10	33005607	3	NUT SELF L. M8 UNI7474		5711140066
15	33005608	1	NUT SELF L. M10 UNI7474		5711140066
17	33005758	2	PIN SPLIT 2x32 UNI1336		5711140066
18	909 6635 000	2	HOLDER.FLAT TIE		5711140129
19	909 6052 000	1	SUPPORT SQUEEGEE SPRING		5711140125
21	L08604251	1	WASHER 10X30 UNI6592		5711140016
23	909 6045 000	1	SUPPORT. SQUEEGEE		5711140125
24	9097539000	1	SQUEEGEE CPL ALU 840MM/33 KIT		5711140134
25	909 6394 000	1	LATCH SQUEEGEE KIT		5711140127
26	9097634000	1	SQUEEGEE BLADES FIXING KIT		5711140134
27	909 6887 000	2	ROLLER BUMPER KIT		5711140131
28	9097637000	1	SQUEEGEE FIXING KIT		5711140134
29	909 6883 000	1	WHEELS SQUEEGEE KIT		5711140131
30	9097198000	1	WELDMENT.SQUEEGEE TOOL		5711140133
31	9097499000	1	BLADES RUBBER KIT 840MM/33		5711140134
32	L08603832	1	BLADE PARA REAR		5715492036

Brush system BA 551

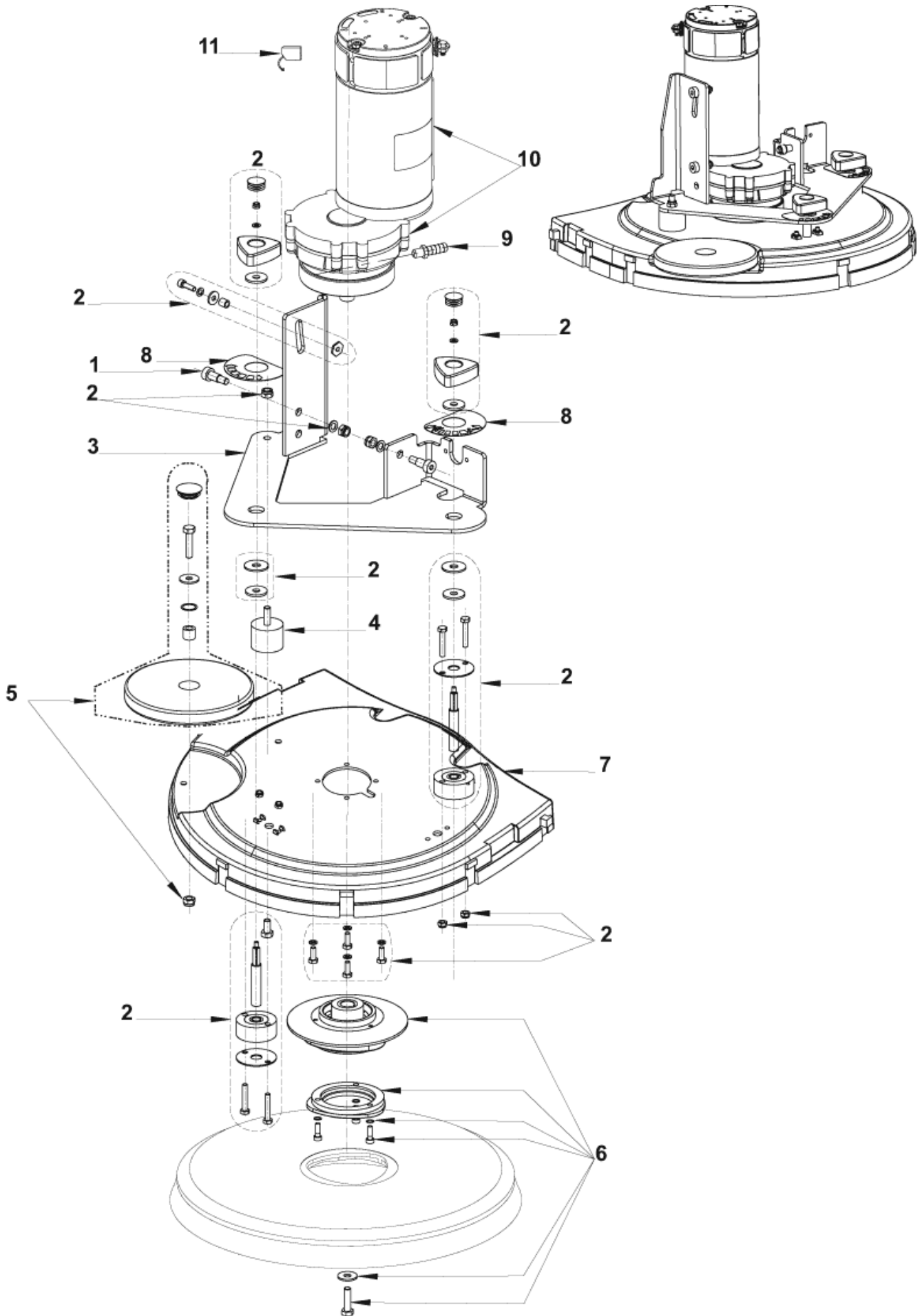
BA551/BA551D/BA551CD/BA611D

17-01-2012

Part List ID

E186129

21



Brush system BA 551

BA551/BA551D/BA551CD/BA611D

17-01-2012

Part List ID

E186129

22

Pos	Part no.	Qty	Description		EAN
0	9097599000	1	PROTECTION MOTOR KIT	TSB IT 2008-014-INST.INSTR.CODE 9097600000	5711140134
1	909 6495 000	2	SCREW SHOULDER 10X16 M8 ISO7379		5711140128
2	9099419000	1	HARDWARE BRUSH DECK SYST.KIT		5711145044
3	909 6485 000	1	PLATE DECK BRUSH HOLDER		5711140128
4	9097184000	1	VIBRATION DAMPING M8 60SH		5711140132
5	909 6887 000	1	ROLLER BUMPER KIT		5711140131
6	9097093000	1	HOLDER POLYGONAL KIT		5711140132
7	909 6042 000	1	DECK BRUSH		5711140125
8	9097773000	1	DECALS KIT BA 551/611		5711140137
9	L08601624	1	HOLDER RUBBER 1/4 D.10		5711140013
10	9098308000	1	REDUCTION GEARMOTOR 450W 24V	STARTING FROM SERIAL NUMBER 111534145	7319519677
11	909 5380 000	1	BRUSH CARBON W/HOLDER KIT	FOR REDUCTION GEARMOTOR 909 6546 000 (LEROY SOMER)	5711140122
11	9098376000	1	BRUSH CARBON KIT 4 PCS	FOR REDUCTION GEARMOTOR 9098308000 (AMER)	7319519677
11	9098674000	1	BRUSH CARBON KIT 4PCS	FOR REDUCTION GEARMOTOR 9098352000 (VIPER)	7319519681

Brush system BA 551D

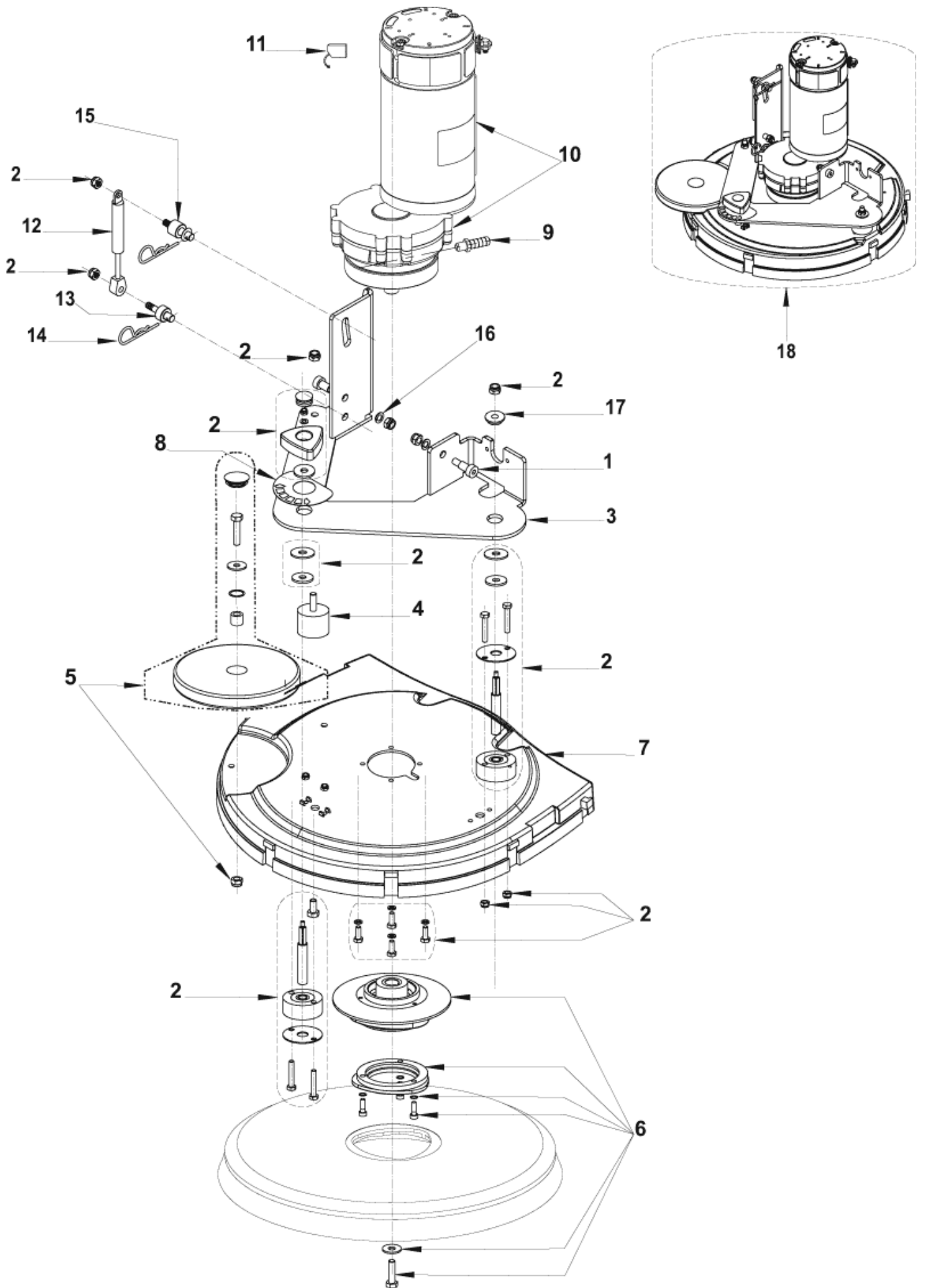
BA551/BA551D/BA551CD/BA611D

17-01-2012

Part List ID

E186133

23



Brush system BA 551D

BA551/BA551D/BA551CD/BA611D

17-01-2012

Part List ID

E186133

24

Pos	Part no.	Qty	Description		EAN
0	9097599000	1	PROTECTION MOTOR KIT	TSB IT 2008-014-INST.INSTR.CODE 9097600000	5711140134
1	909 6495 000	2	SCREW SHOULDER 10X16 M8 ISO7379		5711140128
2	9098344000	1	HARDWARE BRUSH DECK SYST.KIT		5711140146
3	909 6485 000	1	PLATE DECK BRUSH HOLDER		5711140128
4	9097184000	1	VIBRATION DAMPING M8 60SH		5711140132
5	909 6887 000	1	ROLLER BUMPER KIT		5711140131
6	9097093000	1	HOLDER POLYGONAL KIT		5711140132
7	909 6042 000	1	DECK BRUSH		5711140125
8	9097773000	1	DECALS KIT BA 551/611		5711140137
9	L08601624	1	HOLDER RUBBER 1/4 D.10		5711140013
10	9098308000	1	REDUCTION GEARMOTOR 450W 24V	STARTING FROM SERIAL NUMBER 111534145	7319519677
11	909 5380 000	1	BRUSH CARBON W/HOLDER KIT	FOR REDUCTION GEARMOTOR 909 6546 000 (LEROY SOMER)	5711140122
11	9098376000	1	BRUSH CARBON KIT 4 PCS	FOR REDUCTION GEARMOTOR 9098308000 (AMER)	7319519677
12	909 6514 000	1	SPRING GAS		5711140128
13	909 6516 000	1	PIN LOWER		5711140128
14	145 8564 000	2	PIN SPLIT 3X60 UNI8833		5711140022
15	909 6515 000	1	PIN UPPER		5711140128
16	33005916	2	WASHER M10 UNI6592		5711140067
17	909 6513 000	1	BUSH FLANGED		5711140128
18	909 6853 000	1	BRUSH DECK 530MM/21 KIT		5711140130

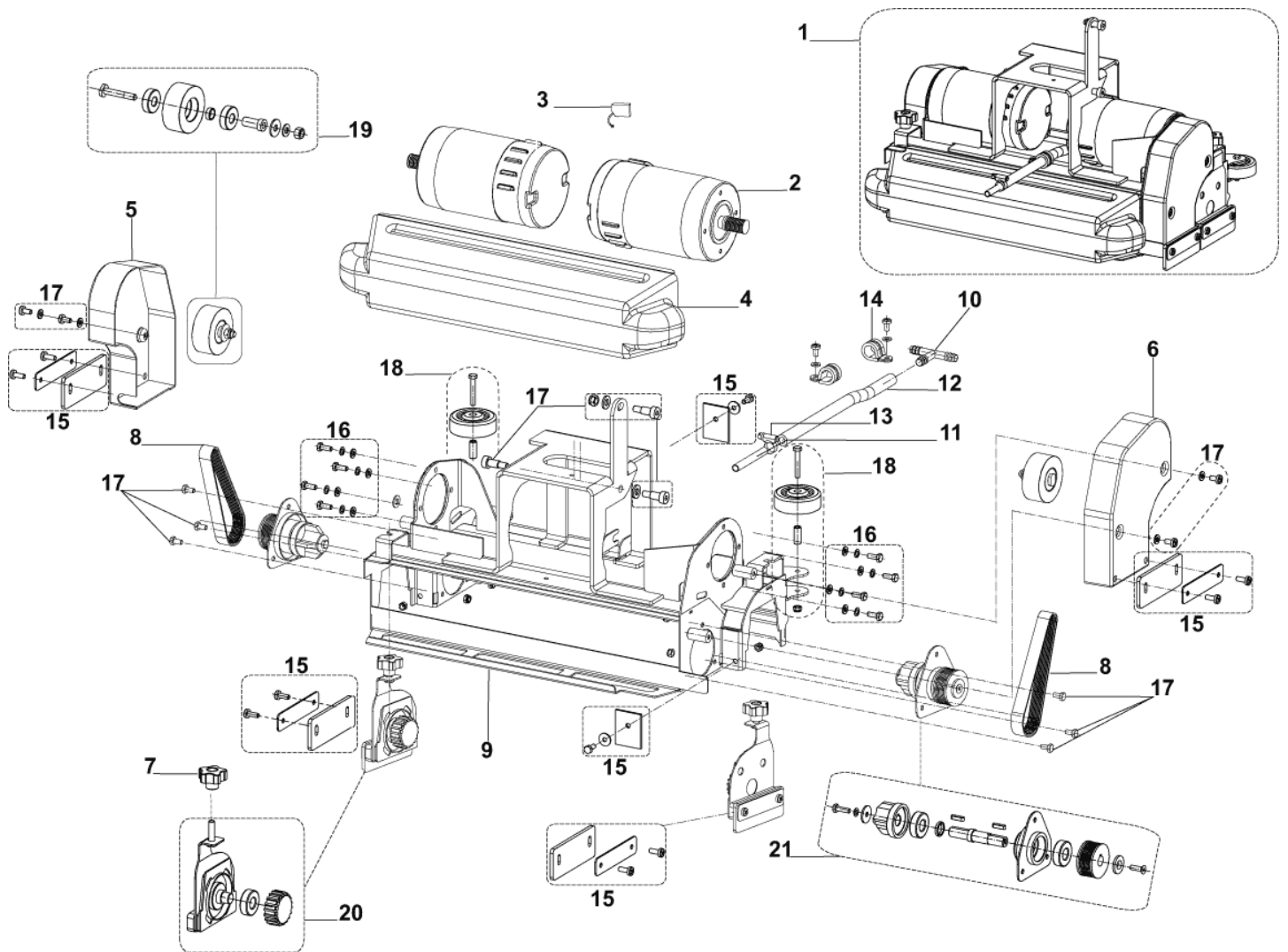
Brushes system BA 551CD

BA551/BA551D/BA551CD/BA611D

17-01-2012

Part List ID
E186137

25



Brushes system BA 551CD

BA551/BA551D/BA551CD/BA611D

17-01-2012

Part List ID

E186137

26

Pos	Part no.	Qty	Description	EAN
1	909 6854 000	1	BRUSH DECK 510MM/20 CYL KIT	5715492037
2	9096983000	2	REDUCTION GEARMOTOR 300W 24V	5711140131
3	1464432000	1	BRUSH CARBON KIT 4PCS	5711140148
4	909 5805 000	1	CONTAINER DIRT	5711140124
5	909 5818 000	1	CRANKCASE BELT PROTECT. LEFT	5711140124
6	909 5817 000	1	CRANKCASE BELT PROTECT. RIGHT	5711140124
7	146 1851 000	2	KNOB M8	5711140041
8	909 5820 000	2	BELT POLY-V	5711140124
9	909 6518 000	1	FRAME CYLINDRICAL DECK	5711140128
10	145 4366 000	1	HOLDER RUBBER T D.12	5711140021
11	909 5772 000	1	HOSE COPPER	5711140124
12	909 5870 000	1	HOSE D.10 L190	5711140124
13	145 8582 000	1	CLAMP 8/ 9-16	5711140023
14	909 5516 000	2	CLAMP HOSE D.18	5711140122
15	9098489000	1	GUARDS SPLASH KIT	7319519677
16	9098490000	1	HARDWARE BELT TENS.ROLLER	7319519677
17	9098491000	1	HARDWARE CYL.DECK KIT	7319519677
18	9098488000	1	ROLLERS BUMPERS KIT	5711140147
19	9098485000	2	BELT TENSIONER KIT	5711140147
20	9098486000	2	SUPPORT CYL.BRUSH KIT	7319519677
21	9098487000	2	SUPPORT PULLEY CYL.BRUSH	7319519677
22	909 6620 000	1	HARNES CYL. BRUSH DECK	5711140129

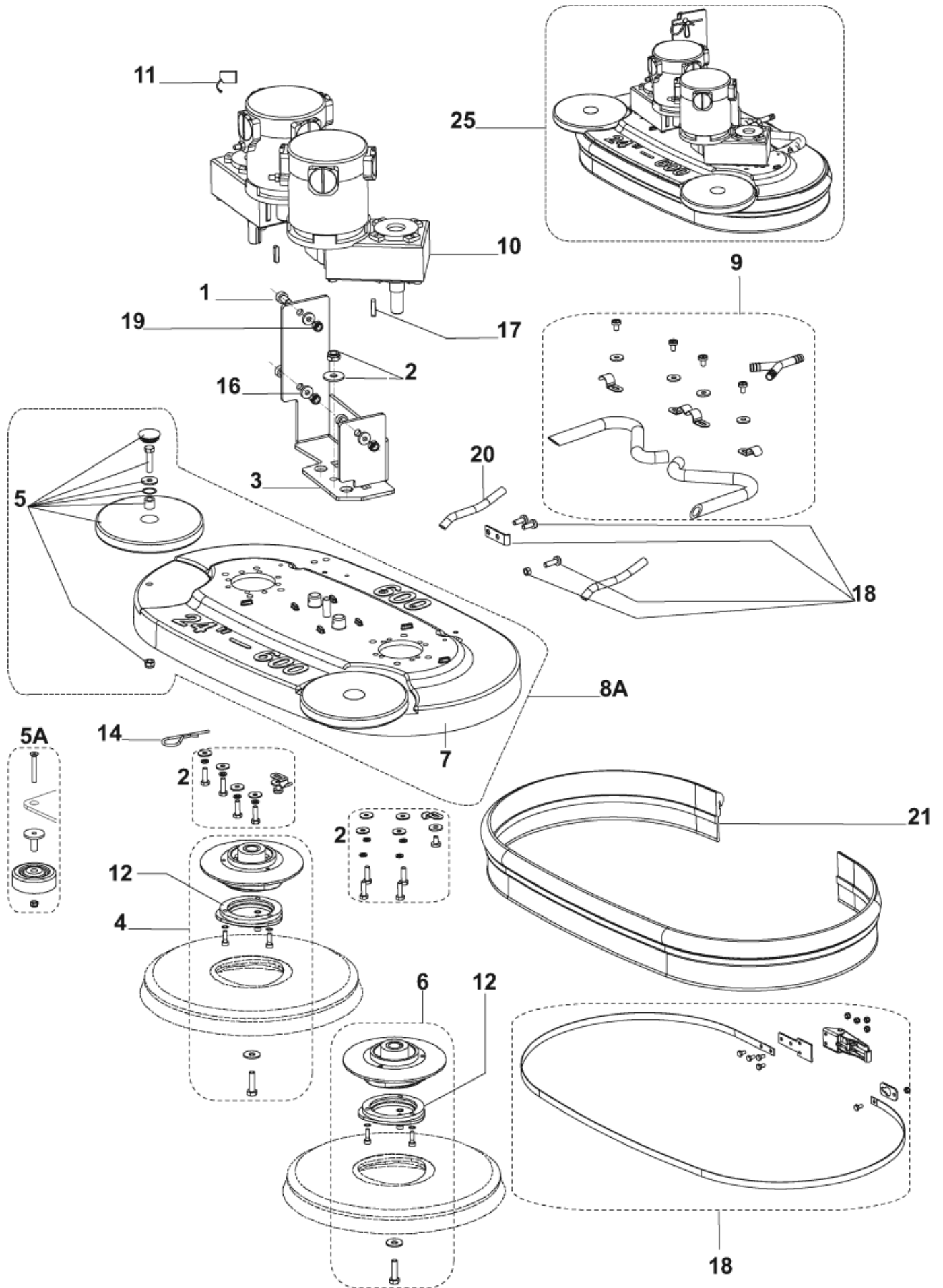
Brushes system BA 611D

BA551/BA551D/BA551CD/BA611D

17-01-2012

Part List ID
E186139

27



Brushes system BA 611D

BA551/BA551D/BA551CD/BA611D

17-01-2012

Part List ID

E186139

28

Pos	Part no.	Qty	Description	EAN
0	909 6619 000	1	HARNES BRUSH DECK	5711140129
1	909 6495 000	3	SCREW SHOULDER 10X16 M8 ISO7379	5711140128
2	9098496000	1	HARDWARE BRUSH DECK KIT	7319519677
3	909 6512 000	1	BRACKET BRUSH DECK	5711140128
4	L08812589	1	HOLDER POLY G.W/FLANGE KIT	5711140018
5	909 6887 000	2	ROLLER BUMPER KIT	5711140131
6	9097092000	1	HOLDER POLY GONAL KIT	5711140132
7	909 5344 000	1	DECK BRUSH	5711140122
9	909 6891 000	1	HOSE WATER DOUBLE BRUSH DECK	5711140131
10	9098976000	2	REDUCTION GEARMOTOR 350W 24V	7319519683
			TSB IT 2011-70	
11	909 6893 000	2	BRUSH CARBON KIT 4PCS	5711140131
12	L08812480	2	HUB.BRUSH	5711140018
14	145 8564 000	1	PIN SPLIT 3X60 UNI8833	5711140022
16	33005916	3	WASHER M10 UNI6592	5711140067
17	145 8024 000	2	KEY 5X5X25 UNI6604A	5711140023
18	909 5398 000	1	SPLASH GUARD FIXING KIT	5711140122
19	33005607	3	NUT SELF L. M8 UNI7474	5711140066
20	909 5228 000	2	HOSE COPPER	5711140121
21	909 5224 000	1	SPLASH GUARD DECK 650MM/26	5711140121
25	909 6855 000	1	BRUSH DECK 610MM/24 KIT	5711140130
5A	909 5894 000	1	ROLLER BUMPER KIT	5711140124
			FOR PREVIOUS BRUSH DECK SYSTEM	
8A	9098525000	1	BRUSH DECK UPDATING KIT	7319519677
			F UPDATING PREVIOUS BR.DECK SYSTEM	

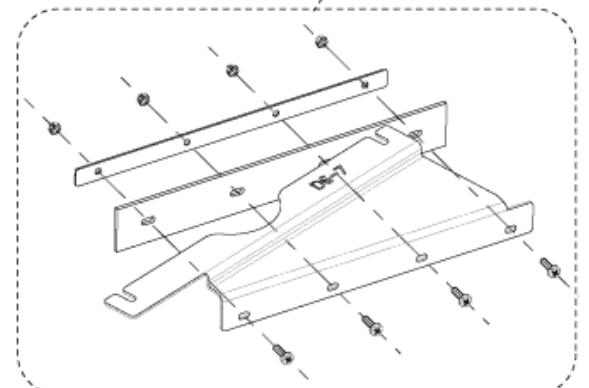
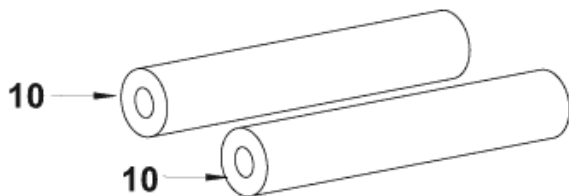
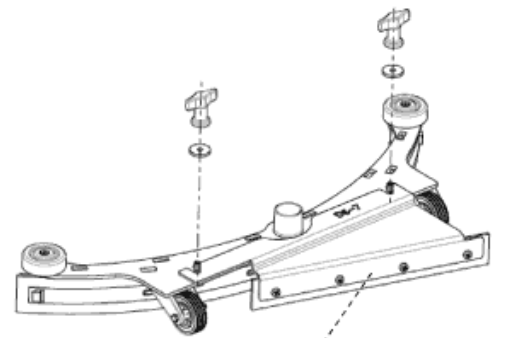
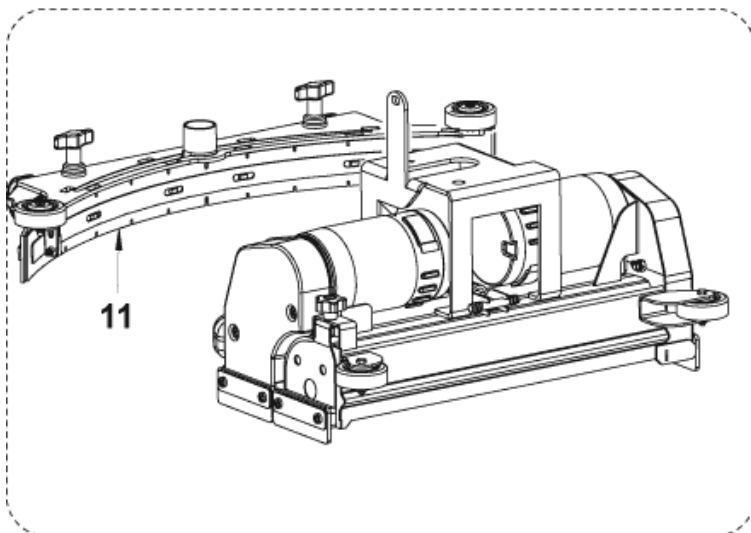
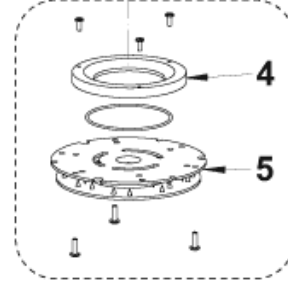
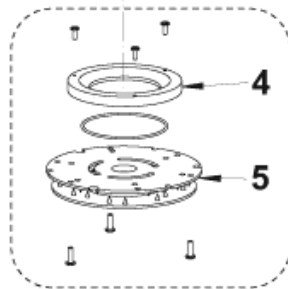
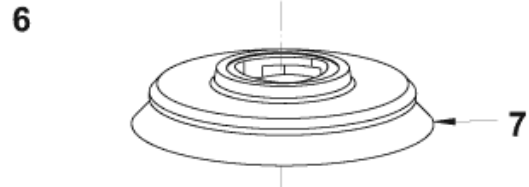
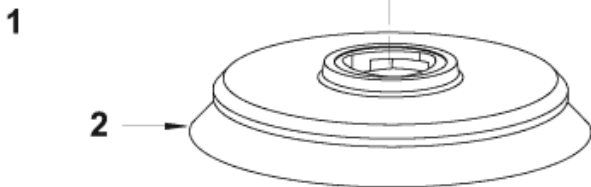
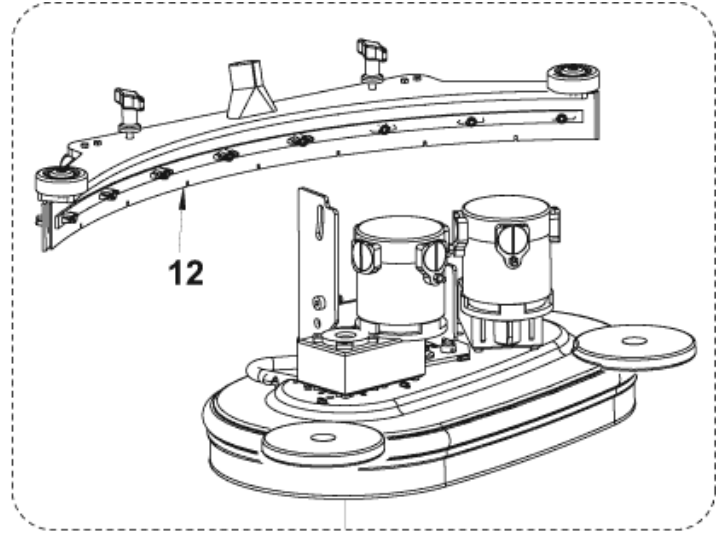
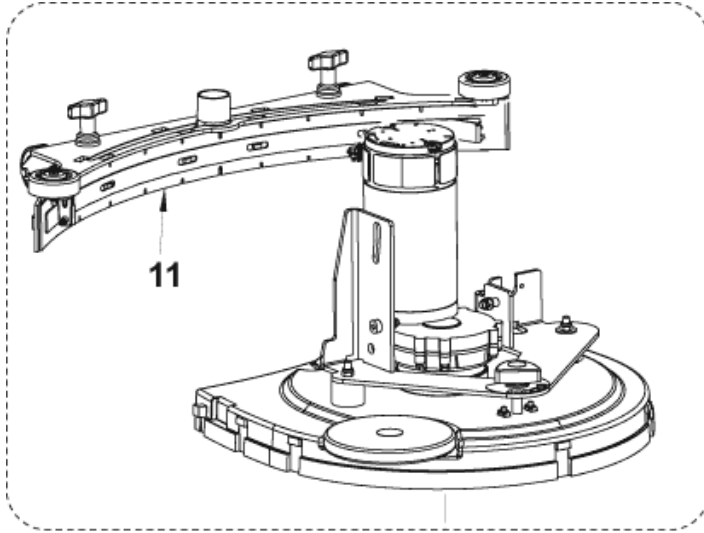
Accessories

BA551/BA551D/BA551CD/BA611D

17-01-2012

Part List ID
E186142

29



Accessories

BA551/BA551D/BA551CD/BA611D

17-01-2012

Part List ID
E186142

30

Pos	Part no.	Qty	Description	EAN
1	909 6848 000	1	BRUSH DECK 530MM/21 KIT WITH	5711140130
2	L08837025	1	BRUSH PROLENE 530MM	5715492037
2	L08837026	1	BRUSH PROLITE 530MM	5715492088
2	L08837027	1	BRUSH UNION MIX 530MM	5715492088
2	L08837028	1	BRUSH. MIDLITE 180 GRIT	5715492088
2	L08837029	1	BRUSH.MIDGRIT MEDIUM	5715492088
2	L08837065	1	BRUSH MAGNA GRIT 46 530MM	5715492088
2	L08837066	1	BRUSH DYNA GRIT 80 530MM	
2	L08837067	1	BRUSH A SLIDEE GRIT 500	5715492088
3	L08837018	1	PAD HOLDER 530MM	5715492036
4	L08603966	1	RING NYLON	5711140016
5	L08837030	1	RETAINER PAD	5711140020
6	909 6850 000	1	BRUSH DECK 610MM/24 KIT	5711140130
7	L08603842	2	BRUSH PROLENE 305MM	5715492036
7	L08603872	2	BRUSH MIDLITE GRIT180	5715492088
7	L08603873	2	BRUSH MIDGRIT 240 305MM	5715492088
7	L08603874	2	BRUSH PROLITE 305MM	5715492088
7	L08603875	2	BRUSH UNION MIX 305MM	5715492088
8	L08603939	2	PAD HOLDER KIT CPL 305MM W/CENTER LOCK	5715492036
9	909 6849 000	1	BRUSH DECK 510MM/20 CYL KIT	5711140130
10	909 5823 000	2	BRUSH CYL. PPL 0.4 20	5715492037
10	909 5824 000	2	BRUSH CYL. PPL 0.45 20	5715492037
10	909 5825 000	2	BRUSH CYL. ABRASIVE 0.60 20	5715492037
11	909 6851 000	1	SQUEEGEE CPL ALU 760MM/30 KIT	5715492037
11	L08603878	1	SQUEEGEE CPL KIT 30	5711140016
12	9097539000	1	SQUEEGEE CPL ALU 840MM/33 KIT	5711140134
13	9098343000	1	THIRD BLADE SQUEEGEE KIT D6/7	INST.INSTR. 9098337000 5711140146

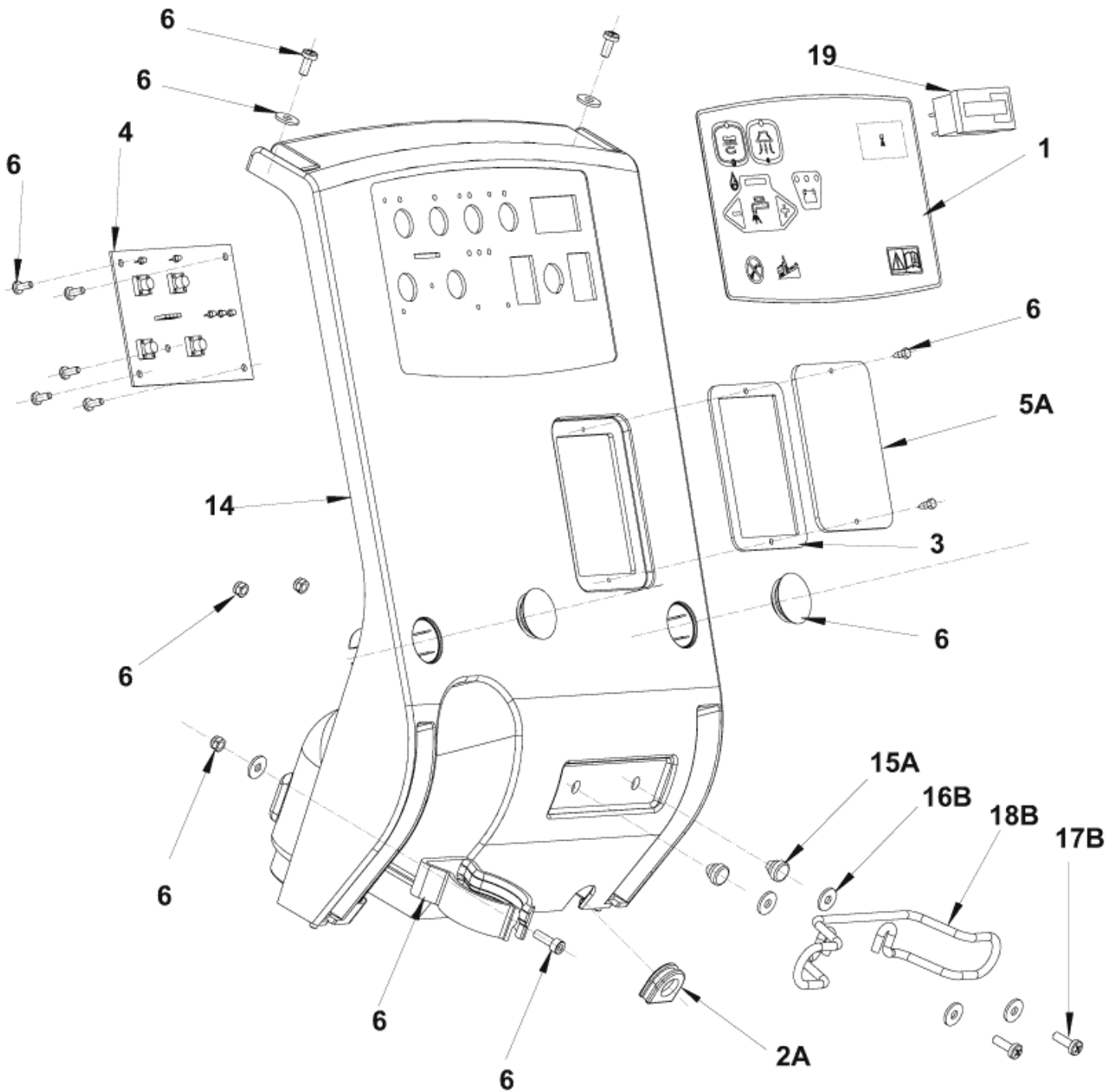
Control panel system BA 551

BA551/BA551D/BA551CD/BA611D

17-01-2012

Part List ID
E186145

31



Control panel system BA 551

BA551/BA551D/BA551CD/BA611D

17-01-2012

Part List ID

E186145

32

Pos	Part no.	Qty	Description	EAN
0	145 8368 000	1	FUSE 3A	5711140009
1	9098635000	1	DECAL CONTROL PANEL	7319519680
3	909 6545 000	1	GASKET	5711140128
4	909 6552 000	1	CARD.ELECTRONIC	BEFORE SERIAL NO. 072115094 5711140128
4	9097006000	1	CARD ELECTRONIC	STARTING FROM SERIAL NO. 072115094 5711140131
6	9098302000	1	HARDWARE CONTROL PANEL KIT	7319519676
14	9097649000	1	COVER CONTROL PANEL KIT	5711140135
19	9096951000	1	COUNTER HOUR 24V KIT	INST.INSTR. 9096952000 5715492037
2A	909 6542 000	1	GROMMET	5711140128
5A	909 6655 000	1	COVER F INSPECTION PLATE	5711140129
15A	909 6553 000	2	FEET RUBBER	5711140128
16B	145 1261 000	4	WASHER 5X15X1.5 UNI6593	5711140022
17B	146 2090 000	2	SCREW M5X16 UNI7687	5711140042
18B	909 5149 000	1	SUPPORT CABLE	5711140121

A : ONLY VERSION WITHOUT BATTERY CHARGER ON BOARD

B : ONLY VERSION WITH BATTERY CHARGER ON BOARD

Control panel system BA 551D-551CD-611D

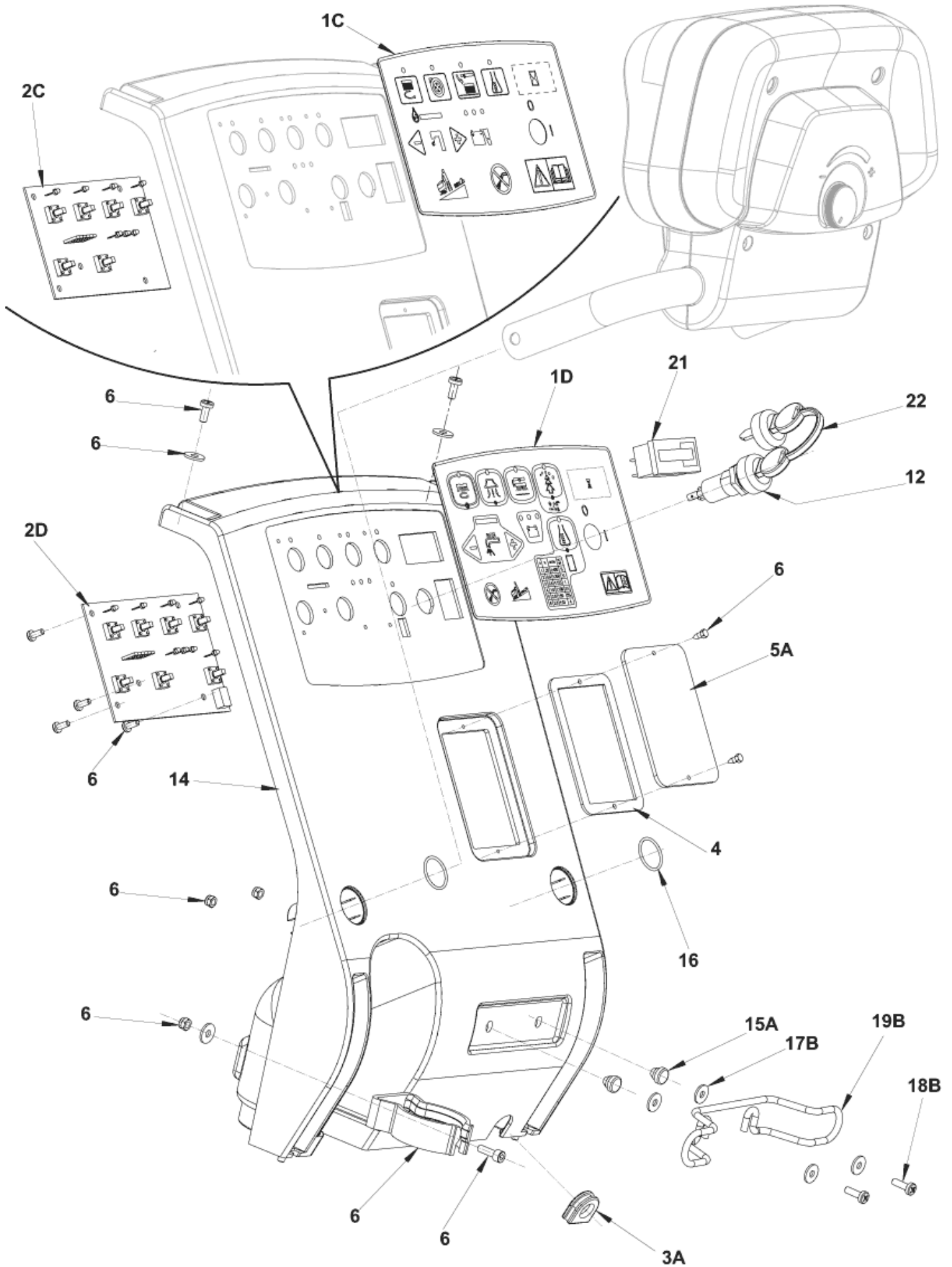
BA551/BA551D/BA551CD/BA611D

17-01-2012

Part List ID

E186147

33



Control panel system BA 551D-551CD-611D

BA551/BA551D/BA551CD/BA611D

17-01-2012

Part List ID

E186147

34

Pos	Part no.	Qty	Description	EAN
0	145 8368 000	2	FUSE 3A	5711140009
0	909 6678 000	1	FUSE 20A GLASS DELAYED	5711140129
2	909 6499 000	1	CARD ELECTRONIC CONTROL P	5711140128
			BEFORE SERIAL NO. 072014255	
4	909 6545 000	1	GASKET	5711140128
6	9098302000	1	HARDWARE CONTROL PANEL KIT	7319519676
12	146 2888 000	1	SWITCH KEY WITH CAP	5711140046
14	9098632000	1	COVER ELECTRIC COMPONENTS	7319519680
16	909 6675 000	2	SEAL.O-RING 132	5711140129
1C	909 6057 000	1	DECAL CONTROL PANEL	5711140125
			UNTIL MAY 2010	
1D	9098634000	1	DECAL CONTROL PANEL ECOFLEX	7319519680
			STARTING FROM JUNE 2010	
21	9096951000	1	COUNTER HOUR 24V KIT	5715492037
			INST.INSTR. 9096952000	
22	146 2887 000	1	KEY 2 PCS	5711140046
2C	9097007000	1	CARD ELECTRONIC	5711140131
			STARTING FROM SERIAL NO. 072014255 - UNTIL MAY 201	
2D	9098555000	1	CARD ELECTRONIC FUNCTIONS	7319519680
			STARTING FROM JUNE 2010	
3A	909 6542 000	1	GROMMET	5711140128
5A	909 6655 000	1	COVER F INSPECTION PLATE	5711140129
15A	909 6553 000	2	FEET RUBBER	5711140128
17B	145 1261 000	4	WASHER 5X15X1.5 UNI6593	5711140022
18B	146 2090 000	2	SCREW M5X16 UNI7687	5711140042
19B	909 5149 000	1	SUPPORT CABLE	5711140121

A : ONLY VERSION WITHOUT BATTERY CHARGER ON BOARD

B : ONLY VERSION WITH BATTERY CHARGER ON BOARD

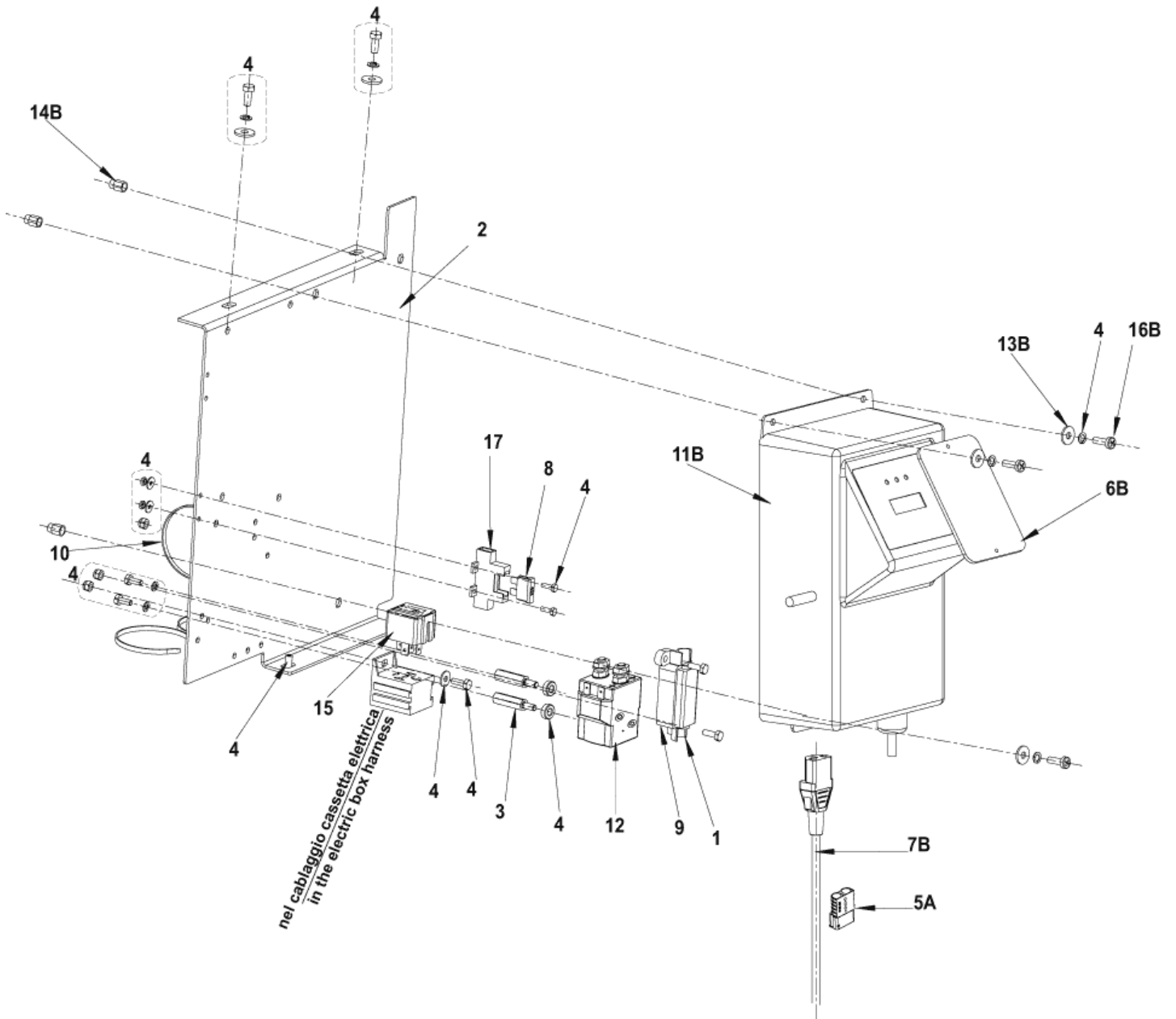
Electrical components BA 551

BA551/BA551D/BA551CD/BA611D

17-01-2012

Part List ID
E186149

35



Electrical components BA 551

BA551/BA551D/BA551CD/BA611D

17-01-2012

Part List ID

E186149

36

Pos	Part no.	Qty	Description	EAN
0	909 6613 000	1	HARNESS VACUUM MOTOR	5711140129
0	909 6614 000	1	HARNESS MACHINE	BEFORE S. NO. 070503008 5711140129
0	909 6616 000	1	HARNESS ELECTRIC BOX	BEFORE S. NO. 070503008 5711140129
0	909 6618 000	1	HARNESS BATTERY	5711140129
0	9096961000	1	HARNESS MACHINE	STARTING FROM SERIAL NO. 070503008 5711140131
0	9096963000	1	HARNESS ELECTRIC BOX	STARTING FROM SERIAL NO. 070503008 5711140131
0	9097590000	1	CABLE BATTERY INTERCONNECTION	5711140134
1	145 8046 000	1	HOLDER FUSE	5711140009
2	909 6498 000	1	SUPPORT.ELECTRONIC COMP.	5711140128
3	909 6676 000	2	SPACER M4 L25	5711140129
4	9098303000	1	HARDWARE ELECTRIC SYSTEM	7319519676
8	145 8513 000	1	FUSE BLADE 30A UL	5711140009
9	145 3824 000	1	FUSE STRIP 40A	5711140009
10	145 1449 000	3	CLAMP 3.6x140	5711140023
12	9097208000	1	SWITCH ELECTROMAGNETIC 24V	5711140133
15	909 6622 000	1	RELAY 24V 40A	5711140129
17	146 0660 000	2	HOLDER FUSE	5711140033
5A	9098762000	1	CONNECTOR 120A RED	5711140152
6B	909 5313 000	1	PLATE INSPECTION TRANSP.	5711140122
7B	909 5633 000	1	CABLE EXTENSION	5711140123
7B	909 5676 000	1	CABLE EXTENSION UK PLUG	5711140123
7B	9096914000	1	CABLE EXTENSION	5711140131
11B	9098297000	1	CHARGER BATTERY ON BOARD	5711140140
13B	33005913	3	WASHER M6 UNI6592	5711140067
14B	145 6132 000	3	INSERT M5	5711140031
16B	146 1711 000	3	SCREW M5X20 UNI7687	5711140040

A : ONLY VERSION WITHOUT BATTERY CHARGER ON BOARD

B : ONLY VERSION WITH BATTERY CHARGER ON BOARD

Electrical components BA 551D-551CD-611C

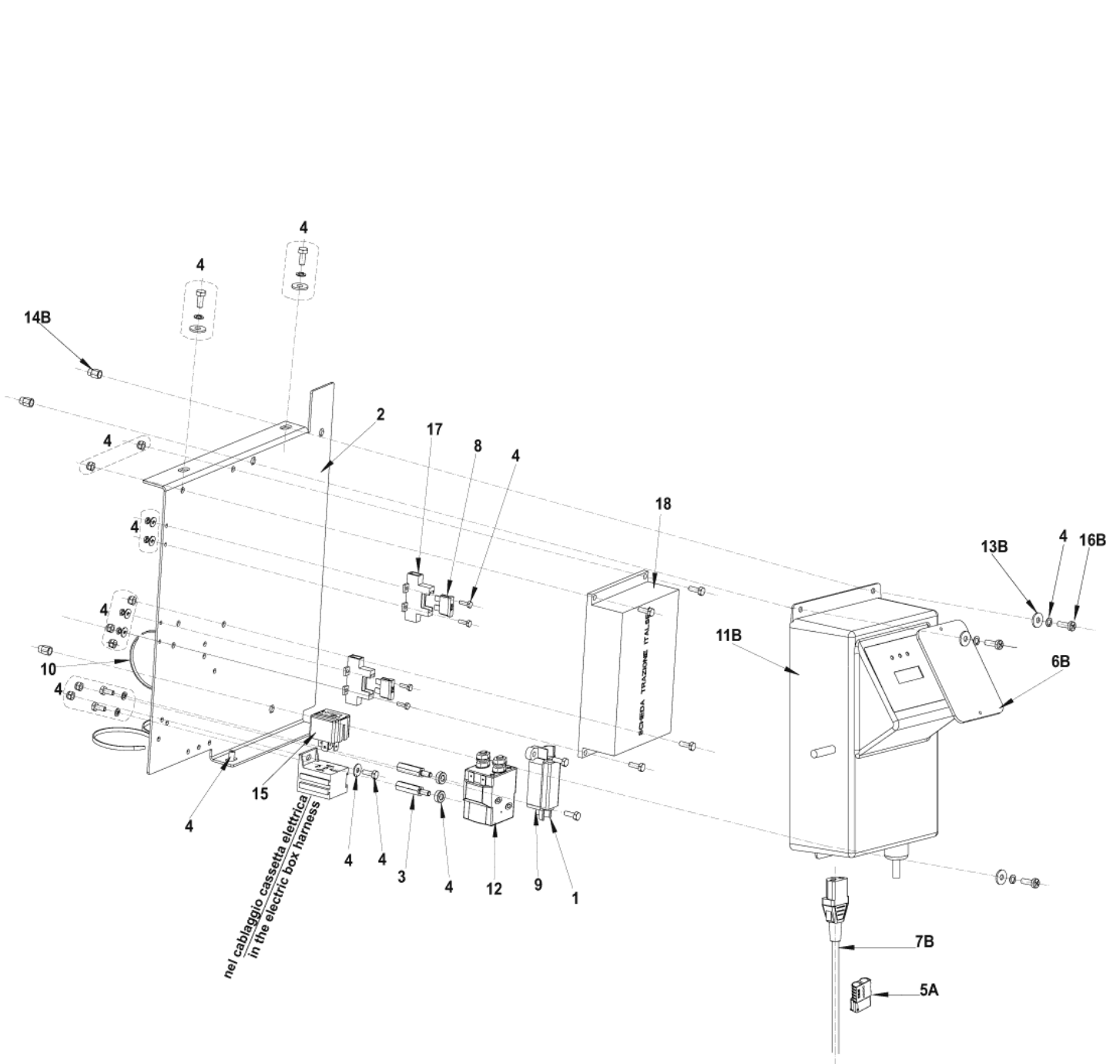
BA551/BA551D/BA551CD/BA611D

17-01-2012

Part List ID

E186151

37



Electrical components BA 551D-551CD-611C

BA551/BA551D/BA551CD/BA611D

17-01-2012

Part List ID

E186151

38

Pos	Part no.	Qty	Description	EAN
0	909 6613 000	1	HARNESS VACUUM MOTOR	5711140129
0	909 6615 000	1	HARNESS TRACTION MACHINE	BEFORE S.NO. 065027814 5711140129
0	909 6617 000	1	HARNESS ELECTRIC BOX	BEFORE S.NO. 065027814 5711140129
0	909 6618 000	1	HARNESS BATTERY	5711140129
0	9096962000	1	HARNESS TRACTION MACHINE	STARTING FROM S.NO. 065027814 5711140131
0	9096964000	1	HARNESS ELECTRIC BOX	STARTING FROM S.NO. 065027814 5711140131
0	9097590000	1	CABLE BATTERY INTERCONNECTION	5711140134
0	9098639000	1	HARNESS TRACTION MACHINE	STARTING FROM JUNE 2010 7319519680
1	145 8046 000	1	HOLDER FUSE	5711140009
2	909 6498 000	1	SUPPORT.ELECTRONIC COMP.	5711140128
3	909 6676 000	2	SPACER M4 L25	5711140129
4	9098303000	1	HARDWARE ELECTRIC SYSTEM	contains all Hardware shown in this system 7319519676
8	145 8513 000	2	FUSE BLADE 30A UL	5711140009
9	145 3824 000	1	FUSE STRIP 40A	5711140009
10	145 1449 000	3	CLAMP 3.6x140	5711140023
12	9097209000	1	SWITCH ELECTROMAGNETIC 24V	5711140133
15	909 6622 000	1	RELAY 24V 40A	5711140129
17	146 0660 000	2	HOLDER FUSE	5711140033
18	9096908000	1	CARD ELECTRONIC TRACTION	5711140131
5A	9098762000	1	CONNECTOR 120A RED	5711140152
6B	909 5313 000	1	PLATE INSPECTION TRANSP.	5711140122
7B	909 5633 000	1	CABLE EXTENSION	5711140123
7B	909 5676 000	1	CABLE EXTENSION UK PLUG	5711140123
7B	9096914000	1	CABLE EXTENSION	5711140131
11B	9098297000	1	CHARGER BATTERY ON BOARD	5711140140
13B	33005913	3	WASHER M6 UN16592	5711140067
14B	145 6132 000	3	INSERT M5	5711140031
16B	146 1711 000	3	SCREW M5X20 UN17687	5711140040

A : ONLY VERSION WITHOUT BATTERY CHARGER ON BOARD

B : ONLY VERSION WITH BATTERY CHARGER ON BOARD

Accessories BA 551-551D-611D

BA551/BA551D/BA551CD/BA611D

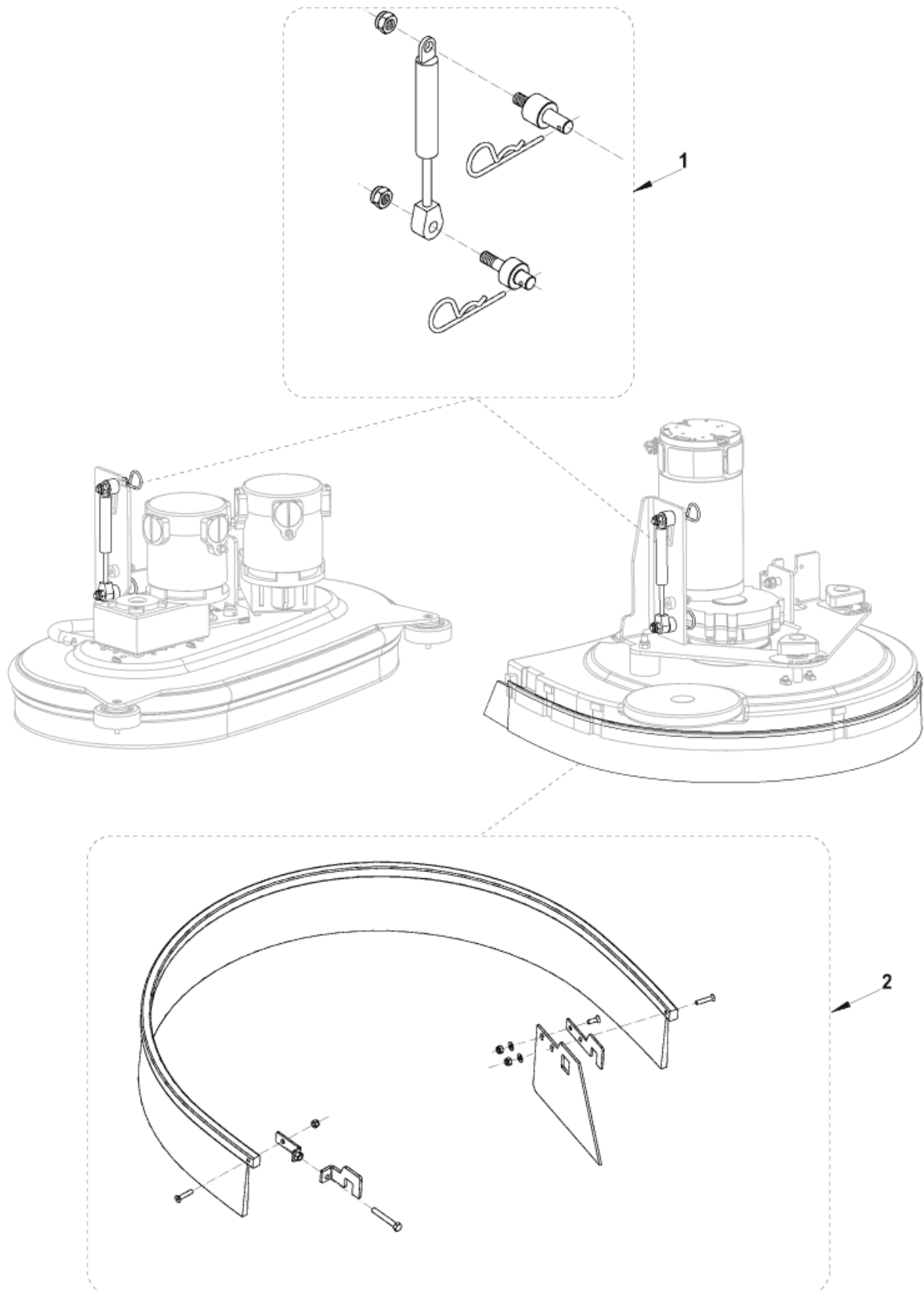
17-01-2012

Part List ID

E186153

39

KIT EXTRA PRESSIONE - EXTRA PRESSURE KIT (BA 551 / BA 611 D)



KIT PARASPRUZZI 20" - SPLASH GUARD 20" KIT (BA 551 / BA 551 D)

Accessories BA 551-551D-611D

BA551/BA551D/BA551CD/BA611D

17-01-2012

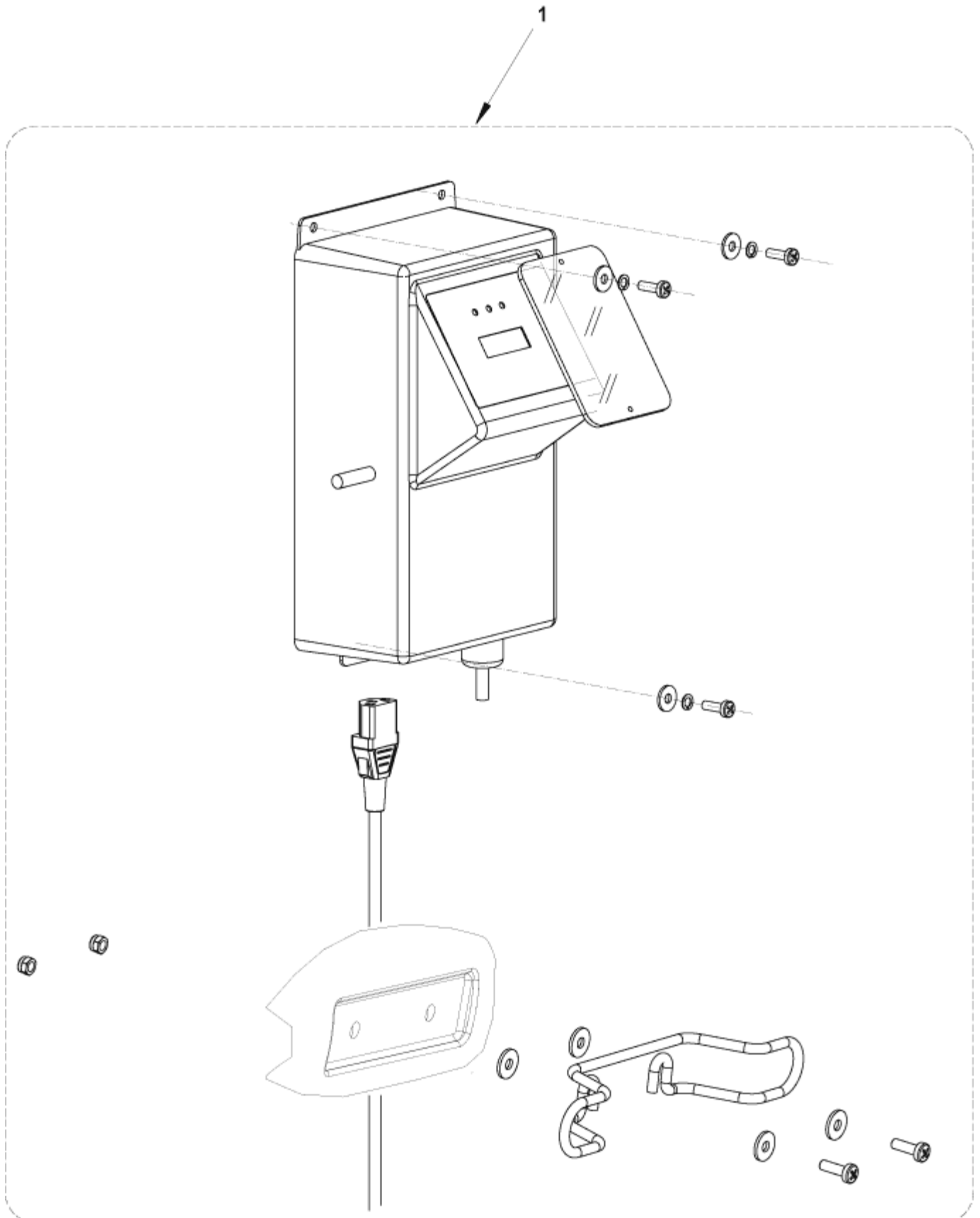
Part List ID

E186153

40

Pos	Part no.	Qty	Description		EAN
1	909 6738 000	1	PRESSURE EXTRA BRUSH KIT	INST.INSTR. 909 6759 000	5711140130
2	909 6736 000	1	SPLASH GUARD KIT 530MM/21	INST.INSTR. 909 6745 000	5715492037

KIT CARICABATTERIA - BATTERY CHARGER KIT



Accessories BA 551-551D-551CD-611D

BA551/BA551D/BA551CD/BA611D

17-01-2012

Part List ID

E186155

42

Pos	Part no.	Qty	Description		EAN
0	909 5633 000	1	CABLE EXTENSION	EU	5711140123
0	9096914000	1	CABLE EXTENSION	US FOR BAT.CHARGER 9098259000	5711140131
0	9098260000	1	CHARGER BATTERY ON BOARD		7319519677
1	909 6739 000	1	CHARGER BAT.ON BOARD KIT	EU - INST.INSTR. 909 6746 000	5715492037
1	9098259000	1	CHARGER BAT.ON BOARD KIT	JAP - INST.INSTR. 9098262000	5711140140

Accessories BA 551D-551CD- 611D

BA551/BA551D/BA551CD/BA611D

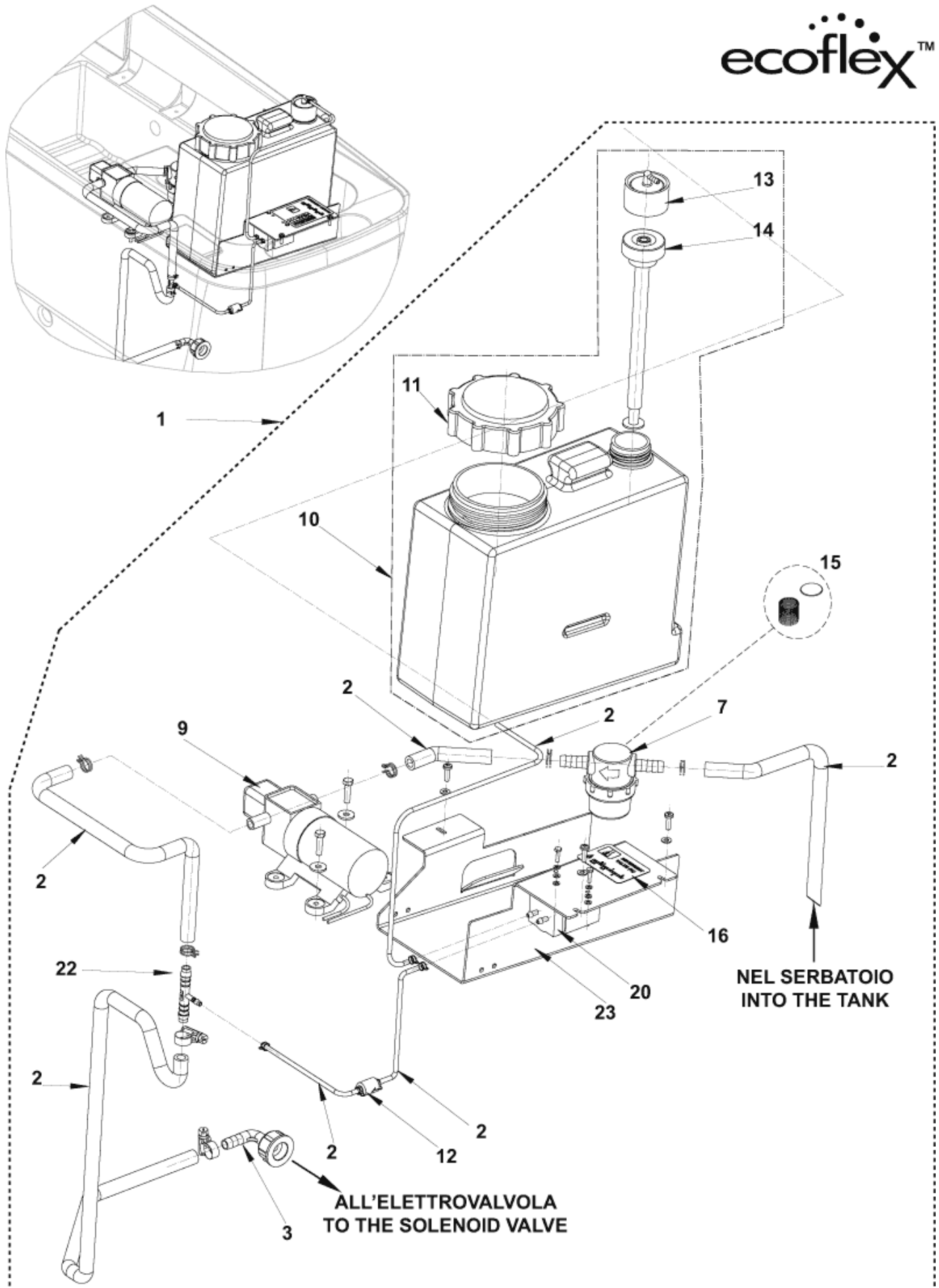
17-01-2012

Part List ID

E186157

43

ecoflex™



Accessories BA 551D-551CD- 611D

17-01-2012

BA551/BA551D/BA551CD/BA611D

Part List ID

E186157

44

Pos	Part no.	Qty	Description	EAN
0	909 6187 000	1	HARNES PUMP	7319519677
0	909 6902 000	1	DECAL REWRITABLE	5711140131
0	9097773000	1	DECALS KIT BA 551/611	5711140137
0	9098264000	1	HARDWARE EDS SYSTEM KIT	7319519676
1	909 6744 000	1	ECOFLEX CHEMICAL KIT	INST.INSTR. 909 6747 000 5711140130
2	909 6807 000	1	PIPES CHEMICAL MIX KIT	5711140130
3	9098777000	1	HOLDER RUBBER 90 GRAD.KIT	7319519678
7	9097166000	1	FILTER COMPLETE KIT	5711140132
9	56315108	1	PUMP 24V	5711144058
10	909 6903 000	1	TANK CHEMICAL KIT	5711140131
11	56315517	1	CAP	5711144059
12	56315522	1	CHECK VALVE 1/8 BARB 125PSI	5711144059
13	56315523	1	CAP DRY BREAK 1/8 BARB	5711144059
14	56315527	1	INSERT DRY BREAK	5711144059
15	L08603893	1	NET FILTER WITH GASKET KIT	5711140016
16	909 6592 000	1	DECAL DETERGENT ADJUSTING	5711140129
20	909 6183 000	1	PUMP CHEMICAL MIX	5711140126
22	909 6536 000	1	ELBOW T REDUCING 8-4-8	5711140128
23	909 6535 000	1	BRACKET CHEMICAL MIX BOX	5711140128

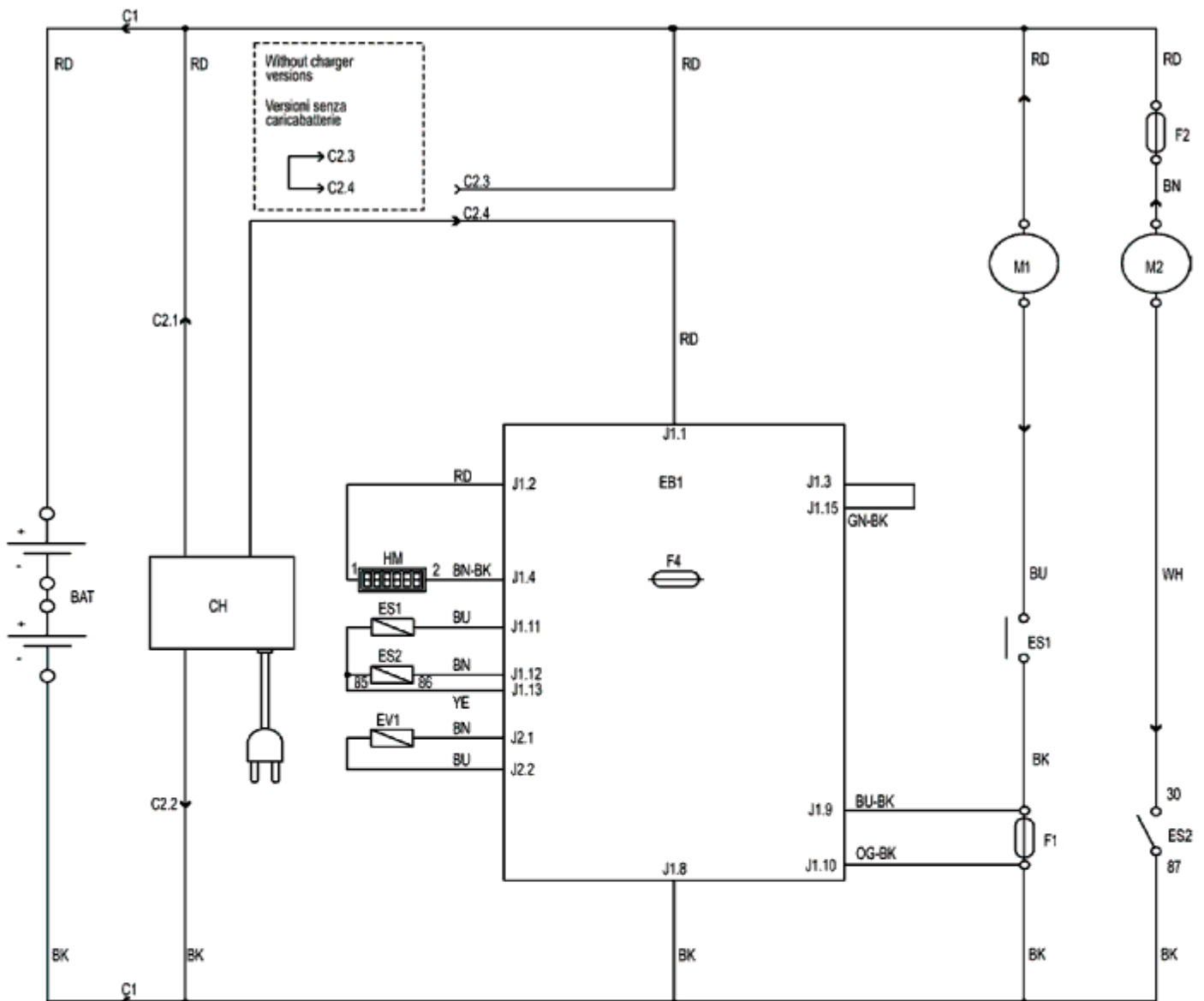
Wiring diagram BA 551

BA551/BA551D/BA551CD/BA611D

17-01-2012

Part List ID
E186158

45



WIRING DIAGRAM
BA 551
Rev. A
909 6530 000

COMPONENTS / COMPONENTI		
BAT	24V BATTERIES	BATTERIE 24V
C1	BATTERY CONNECTOR	CONNETTORE BATTERIE
C2	CHARGER CONNECTOR	CONNETTORE CARICABATTERIE
CH	BATTERY CHARGER (OPT)	CARICABATTERIE (OPT)
CS	BRUSH DECK CONNECTOR	CONNETTORE TESTATA SPAZZOLE
EB1	CONTROL PANEL BOARD	SCHEDA ELETTRONICA CONTROLLO FUNZIONI
ES1	BRUSH MOTOR ELECTROM. SWITCH	TELERUTTORE MOTORI SPAZZOLE
ES2	VACUUM MOTOR ELECTROM. SWITCH	RELE' ASPIRATORE
EV1	WATER ELECTROVALVE	ELETTROVALVOLA ACQUA
F1	BRUSH DECK FUSE	FUSIBILE TESTATA SPAZZOLE
F2	VACUUM MOTOR FUSE	FUSIBILE ASPIRATORE
F4	LOW POWER CIRCUIT FUSE	FUSIBILE CIRCUITI DI SEGNALE
HM	HOURMETER (OPT)	CONTAORE (OPT)
M1	BRUSH MOTOR	MOTORE SPAZZOLA
M2	VACUUM MOTOR	MOTORE ASPIRATORE

Wiring diagram BA 551

BA551/BA551D/BA551CD/BA611D

17-01-2012

Part List ID

E186158

46

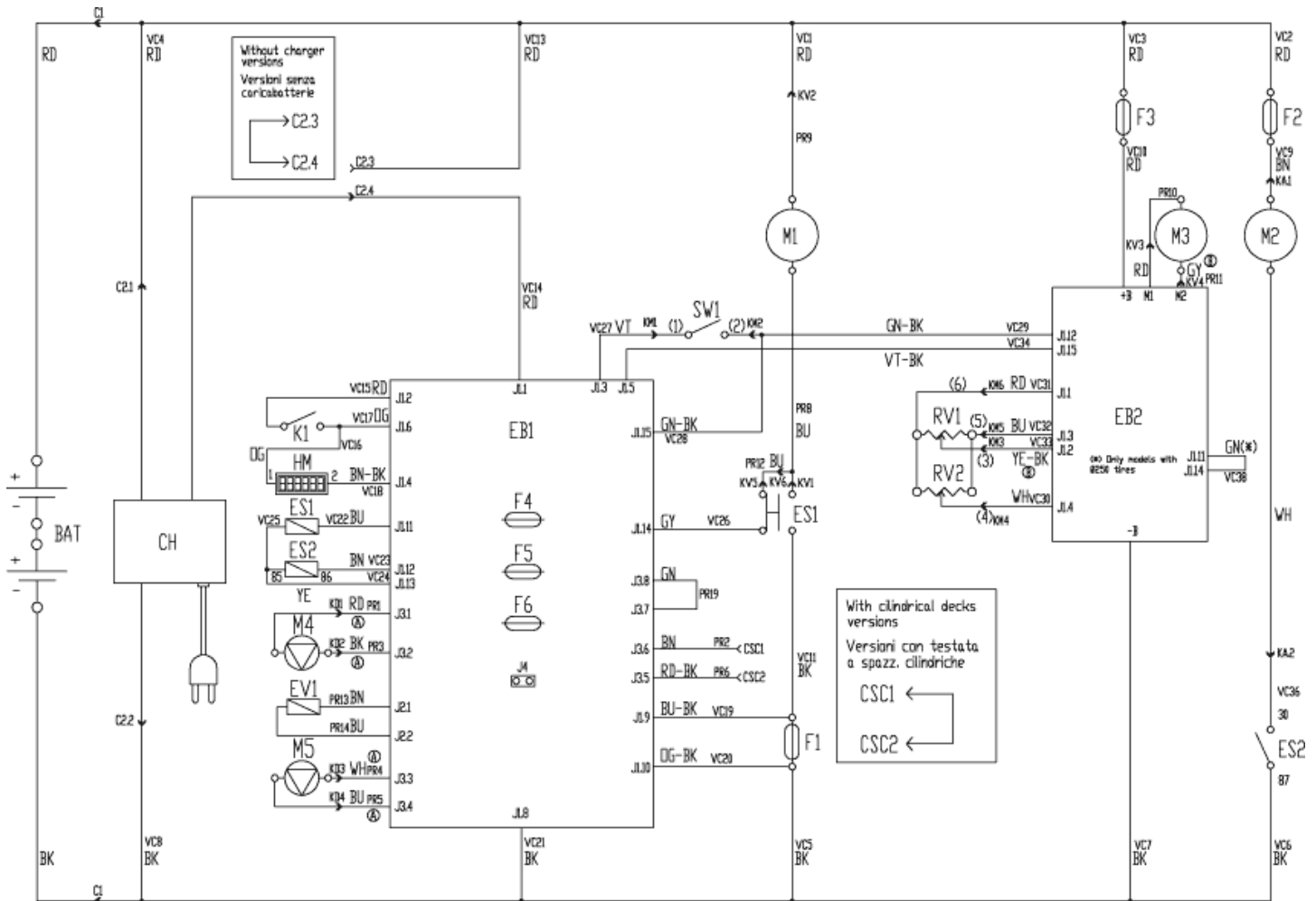
Wiring diagram BA 551D-551CD-611D

BA551/BA551D/BA551CD/BA611D

17-01-2012

Part List ID
E186159

47



WIRING DIAGRAM - BA 551D / BA 551CD / BA 611D

Rev. C

909 6529 000

COMPONENTS / COMPONENTI					
BAT	24V BATTERIES	BATTERIE 24V	K1	KEY SWITCH	CHIAVE
C1	BATTERY CONNECTOR	CONNETTORE BATTERIE	M1	BRUSH MOTOR	MOTORE SPAZZOLA
C2	CHARGER CONNECTOR	CONNETTORE CARICABATTERIE	M2	VACUUM MOTOR	MOTORE ASPIRATORE
CH	BATTERY CHARGER (OPT)	CARICABATTERIE (OPT)	M3	DRIVE MOTOR	MOTORE TRAZIONE
CSC	CILINDRICAL DECK SECONDARY CONNECTOR	CONN. SECONDARIO TESTATA SPAZZ. CILINDRICHE	M4	WATER PUMP (OPT)	POMPA ACQUA (OPT)
EB1	CONTROL PANEL BOARD	SCHEDA ELETTRONICA CONTROLLO FUNZIONI	M5	DETERGENT PUMP (OPT)	POMPA DETERGENTE (OPT)
EB2	DRIVE ELECTRONIC BOARD	SCHEDA ELETTRONICA TRAZIONE	RV1	SPEED POTENTIOMETER	POTENZIOMETRO VELOCITA'
ES1	BRUSH MOTOR ELECTROM. SWITCH	TELERUTTORE MOTORI SPAZZOLE	RV2	MAX SPEED POTENTIOMETER	POTENZIOMETRO VELOCITA' MASSIMA
ES2	VACUUM MOTOR ELECTROM. SWITCH	RELE' ASPIRATORE	SW1	BRUSHES / DRIVE MICROSWITCH	MICROINTERR. CONSENSO SPAZZOLE/TRAZIONE
EV1	ELECTROVALVE	ELETTROVALVOLA			
F1	BRUSH DECK FUSE	FUSIBILE TESTATA SPAZZOLE			
F2	VACUUM MOTOR FUSE	FUSIBILE ASPIRATORE			
F3	DRIVE SYSTEM FUSE	FUSIBILE SISTEMA DI TRAZIONE			
F4	LOW POWER CIRCUIT FUSE	FUSIBILE CIRCUITI DI SEGNALE			
F5	BRUSH RELEASE FUSE	FUSIBILE SGANCIO SPAZZOLE			
F6	PUMP FUSE	FUSIBILE POMPE			
HM	HOURMETER (OPT)	CONTAORE (OPT)			

Wiring diagram BA 551D-551CD-611D

BA551/BA551D/BA551CD/BA611D

17-01-2012

Part List ID

E186159

48

Recommended spare parts

BA551/BA551D/BA551CD/BA611D

17-01-2012

Part List ID

E186160

49

No Drawing For Part List

Recommended spare parts

BA551/BA551D/BA551CD/BA611D

17-01-2012

Part List ID
E186160

50

Pos	Part no.	Qty	Description	EAN
1	909 6671 000	1	SPONGE INLET FRESH WATER TANK	5711140129
2	909 6521 000	1	HOSE CLEAN WATER	5711140128
3	L08812457	1	CAP TANK	5711140018
4	909 6554 000	1	CAP WITH CHAIN	5711140128
5	909 6874 000	1	CABLE TANK KIT	5711140130
6	9098265000	1	HARDWARE SOLUTION TANK KIT	7319519676
7	909 6230 000	1	HOSE SQUEEGEE VACUUM	5711140126
8	9099165000	1	HOSE DRAIN RAL 7001	5711145014
9	L08812259	2	CAGE.FLOAT CPL	5711140017
10	L08812373	1	BALL FLOATING	5711140018
11	L08812968	1	GASKET	5711140020
12	145 0543 000	2	CLAMP 14/32-52	5711140023
13	909 6899 000	1	CAP TANK	5711140131
14	909 6640 000	1	HOSE ANTIREFLOW	5711140129
15	909 6877 000	1	HARDWARE MOTOR FIXING KIT	5711140130
16	909 6876 000	1	HARDWARE CAGE SUP.FIXING KIT	5711140130
17	9098062000	1	MOTOR VACUUM KIT	5711140139
18	909 5371 000	2	BRUSH CARBON	FOR OLD VAC. MOT. KIT 909 6802 000 5711140122
19	909 6491 000	1	PANEL ACOUSTIC INSULATION	5711140128
20	909 6490 000	1	GASKET VACUUM MOTOR	5711140128
21	909 6489 000	1	GASKET VACUUM MOTOR	5711140128
22	909 6880 000	1	WHEEL CASTOR KIT	5711140130
23	909 6879 000	1	WHEEL CASTOR SS KIT	5711140130
24	909 6878 000	1	HARDWARE CHAS.FIXING KIT	5711140130
25	909 6863 000	2	WHEEL FRONT D.250 DRIVE	5711140130
26	909 6548 000	1	MOTOR DRIVE 200W 24V	5711140128
27	909 6503 000	2	WHEEL FRONT D.250	5711140128
28	145 5124 000	2	CARBON BRUSH	5711140027
29	L08812282	2	CAM HANDLE MICROSWITCH	5711140017
30	9098300000	1	HARDWARE HANDLE ASSEMBLY	7319519676
31	9098814000	1	POTENTIOMETER 5K 40	7319519681
32	9096994000	1	VALVE ELBOW	5711140131
33	9097166000	1	FILTER COMPLETE KIT	5711140132
34	9096996000	1	VALVE ELBOW W/PIPES KIT	5711140131
35	909 6555 000	1	SOLENOID VALVE 24V	5711140128
36	909 6636 000	1	HOLDER RUBBER 1/2 FEMALE	5711140129
37	9098777000	1	HOLDER RUBBER 90 GRAD.KIT	7319519678

Recommended spare parts

BA551/BA551D/BA551CD/BA611D

17-01-2012

Part List ID

E186161

51

No Drawing For Part List

Recommended spare parts

BA551/BA551D/BA551CD/BA611D

17-01-2012

Part List ID
E186161

52

Pos	Part no.	Qty	Description	EAN
1	909 6055 000	1	STRAP.SQUEEGEE FRONT	5711140125
2	L08603831	1	STRAP FRONT	5711140015
3	909 6044 000	1	WELDMENT.SQUEEGEE TOOL	5711140125
4	909 5294 000	1	WELDMENT SQUEEGEE TOOL	5711140122
5	9097637000	1	SQUEEGEE FIXING KIT	5711140134
6	909 6551 000	1	KNOB M8X30 SS	5711140128
7	909 6484 000	1	BLADE NEOPRENE REAR	5715492037
8	L08603832	1	BLADE PARA REAR	5715492036
9	909 6483 000	1	BLADE NEOPRENE FRONT	5715492037
10	L08603830	1	BLADE NEOPRENE FRONT	5715492036
11	909 6851 000	1	SQUEEGEE CPL ALU 760MM/30 KIT	5715492037
12	909 5372 000	1	SQUEEGEE CPL 840MM/33KIT	5715492037
13	909 6882 000	1	HARDWARE SQU.BLADE FIXING	5711140130
14	909 6894 000	1	HARDWARE SQUEEGEE BLADE	5711140131
15	909 6883 000	1	WHEELS SQUEEGEE KIT	5711140131
16	L08603879	1	WHEEL SQUEEGEE KIT	5711140016
17	909 6884 000	1	ROLLER BUMPER SQUEEG.KIT	5711140131
18	L08603880	1	ROLLER BUMPER KIT	5711140016
19	909 6394 000	1	LATCH SQUEEGEE KIT	5711140127
20	909 6885 000	1	HARDWARE SQUEEGEE FIXING KIT	5711140131
22	909 6042 000	1	DECK BRUSH	5711140125
23	9098308000	1	REDUCTION GEARMOTOR 450W 24V	7319519677
24	9098376000	1	BRUSH CARBON KIT 4 PCS	7319519677
25	L08812306	1	HUB BRUSH R.GEARMOTOR RIGHT	5711140017
26	L08601624	1	HOLDER RUBBER 1/4 D.10	5711140013
27	9097184000	1	VIBRATION DAMPING M8 60SH	5711140132
28	145 8564 000	2	PIN SPLIT 3X60 UN18833	5711140022
29	909 6514 000	1	SPRING GAS	5711140128
30	9097093000	1	HOLDER POLYGONAL KIT	5711140132
31	909 6887 000	1	ROLLER BUMPER KIT	5711140131
32	9098344000	1	HARDWARE BRUSH DECK SYST.KIT	5711140146
33	145 4366 000	1	HOLDER RUBBER T D.12	5711140021
34	909 5772 000	1	HOSE COPPER	5711140124
35	9098489000	1	GUARDS SPLASH KIT	7319519677
36	909 5805 000	1	CONTAINER DIRT	5711140124
37	9096983000	2	REDUCTION GEARMOTOR 300W 24V	CARBON BRUSH KIT 1464432000 5711140131
38	1464432000	1	BRUSH CARBON KIT 4PCS	5711140148
39	909 5820 000	2	BELT POLY-V	5711140124
40	909 5870 000	1	HOSE D.10 L190	5711140124
41	9098488000	1	ROLLERS BUMPERS KIT	5711140147
42	9098485000	1	BELT TENSIONER KIT	5711140147
43	9098486000	1	SUPPORT CYL.BRUSH KIT	7319519677

Recommended spare parts

BA551/BA551D/BA551CD/BA611D

17-01-2012

Part List ID

E186161

53

Pos	Part no.	Qty	Description	EAN
44	9098487000	1	SUPPORT PULLEY CYL.BRUSH	7319519677

Recommended spare parts

BA551/BA551D/BA551CD/BA611D

17-01-2012

Part List ID

E186162

54

No Drawing For Part List

Recommended spare parts

BA551/BA551D/BA551CD/BA611D

17-01-2012

Part List ID

E186162

55

Pos	Part no.	Qty	Description	EAN
1	L08603822	1	HUB.BRUSH R.GEARMOT.LEFT	5711140015
2	145 8564 000	1	PIN SPLIT 3X60 UN18833	5711140022
3	L08812306	1	HUB BRUSH R.GEARMOTOR RIGHT	5711140017
4	9098976000	2	REDUCTION GEARMOTOR 350W 24V	7319519683
5	L08812589	1	HOLDER POLY G.W/FLANGE KIT	5711140018
6	9097092000	1	HOLDER POLY GONAL KIT	5711140132
7	909 5398 000	1	SPLASH GUARD FIXING KIT	5711140122
8	909 6891 000	1	HOSE WATER DOUBLE BRUSH DECK	5711140131
9	909 5894 000	1	ROLLER BUMPER KIT	5711140124
10	909 6893 000	2	BRUSH CARBON KIT 4PCS	5711140131
11	L08812967	1	CLAMP.HOSE D.50	5711140020
12	9097006000	1	CARD ELECTRONIC	5711140131
13	909 6099 000	1	DECAL CONTROL PANEL	5711140126
14	146 2888 000	1	SWITCH KEY WITH CAP	5711140046
15	9097007000	1	CARD ELECTRONIC	5711140131
16	909 6057 000	1	DECAL CONTROL PANEL	5711140125
17	145 8368 000	1	FUSE 3A	5711140009
18	909 6678 000	1	FUSE 20A GLASS DELAYED	5711140129
19	9096908000	1	CARD ELECTRONIC TRACTION	5711140131
20	909 6677 000	1	MICROSWITCH	5711140129
21	9098762000	1	CONNECTOR 120A RED	5711140152
22	9097209000	1	SWITCH ELECTROMAGNETIC 24V	5711140133
23	909 6622 000	1	RELAY 24V 40A	5711140129
24	145 3824 000	1	FUSE STRIP 40A	5711140009
25	145 8513 000	1	FUSE BLADE 30A UL	5711140009
26	9098297000	1	CHARGER BATTERY ON BOARD	5711140140
27	909 6744 000	1	ECOFLEX CHEMICAL KIT	5711140130
28	909 6807 000	1	PIPES CHEMICAL MIX KIT	5711140130
29	9098777000	1	HOLDER RUBBER 90 GRAD.KIT	7319519678
30	56315108	1	PUMP 24V	5711144058
31	909 6903 000	1	TANK CHEMICAL KIT	5711140131
32	56315517	1	CAP	5711144059
33	56315522	1	CHECK VALVE 1/8 BARB 125PSI	5711144059
34	56315523	1	CAP DRY BREAK 1/8 BARB	5711144059
35	56315527	1	INSERT DRY BREAK	5711144059
36	9097166000	1	FILTER COMPLETE KIT	5711140132
37	909 6183 000	1	PUMP CHEMICAL MIX	5711140126
38	909 6536 000	1	ELBOW T REDUCING 8-4-8	5711140128

Accessories

BA551/BA551D/BA551CD/BA611D

17-01-2012

Part List ID
E186163

56

No Drawing For Part List

Accessories

BA551/BA551D/BA551CD/BA611D

17-01-2012

Part List ID
E186163

57

Pos	Part no.	Qty	Description	EAN
1	9097290000	1	HOSE FILLING	5711140133
2	9096916000	1	FILTER SOLUTION TANK	5711140131
3	9096951000	1	COUNTER HOUR 24V KIT	5715492037
4	909 6734 000	1	BAND RUBBER KIT	5711140130
5	9098947000	1	CASTOR WHEEL SS KIT OPTION - WIDER WHELL FOR SPECIAL APPLICATIONS	5711145029
6	9097026000	2	WHEEL FRONT D.250 DRIVE	5711140132
7	909 6736 000	1	SPLASH GUARD KIT 530MM/21	5715492037
8	909 6848 000	1	BRUSH DECK 530MM/21 KIT WITH	5711140130
9	L08837025	1	BRUSH PROLENE 530MM	5715492037
10	L08837026	1	BRUSH PROLITE 530MM	5715492088
11	L08837027	1	BRUSH UNION MIX 530MM	5715492088
12	L08837028	1	BRUSH. MIDLITE 180 GRIT	5715492088
13	L08837029	1	BRUSH.MIDGRIT MEDIUM	5715492088
14	L08837065	1	BRUSH MAGNA GRIT 46 530MM	5715492088
15	L08837066	1	BRUSH DYNA GRIT 80 530MM	
16	L08837067	1	BRUSH ASLIDEE GRIT 500	5715492088
17	L08837018	1	PAD HOLDER 530MM	5715492036
18	909 6849 000	1	BRUSH DECK 510MM/20 CYL KIT	5711140130
19	909 5823 000	2	BRUSH CYL. PPL 0.4 20	5715492037
20	909 5824 000	2	BRUSH CYL. PPL 0.45 20	5715492037
21	909 5825 000	2	BRUSH CYL. ABRASIVE 0.60 20	5715492037
22	909 6850 000	1	BRUSH DECK 610MM/24 KIT	5711140130
23	L08603842	2	BRUSH PROLENE 305MM	5715492036
24	L08603873	2	BRUSH MIDGRIT 240 305MM	5715492088
25	L08603872	2	BRUSH MIDLITE GRIT180	5715492088
26	L08603874	2	BRUSH PROLITE 305MM	5715492088
27	L08603875	2	BRUSH UNION MIX 305MM	5715492088
28	L08603939	2	PAD HOLDER KIT CPL 305MM W/CENTER LOCK	5715492036
29	L08603878	1	SQUEEGEE CPL KIT 30	5711140016
30	909 6860 000	1	BLADES RUBBER KIT 740MM/29	5715492037
31	909 6858 000	1	BLADES PU KIT 740MM/29	5715492037
32	909 5006 000	1	WEAR PACK STD SQU.BLADES SOLUT.FILTER/PR	5715492037
33	909 6859 000	1	BLADES PU KIT 840MM/33	5715492037
34	909 5629 000	1	BLADE FRONT NON MARKING	5711140123
35	909 6744 000	1	ECOFLEX CHEMICAL KIT	5711140130
36	909 6738 000	1	PRESSURE EXTRA BRUSH KIT	5711140130
37	909 6739 000	1	CHARGER BAT.ON BOARD KIT	5715492037
38	9098853000	1	ELBOW 90 SUCT.HOSE KIT RAL7001 TSB IT 2010-061	7319519680



We supply a full range of cleaning equipment for rental or purchase.

For more information, or a cleaning solution to suit your business, please get in touch –

For a more comprehensive product range, please visit our website.



Address

Berrington House,
Berrington Road,
Leamington Spa
CV31 1NB

Contact

t: 0845 33 77 695
f: 0845 33 78 695
e: info@c-ind.co.uk

www.crescentindustrial.co.uk